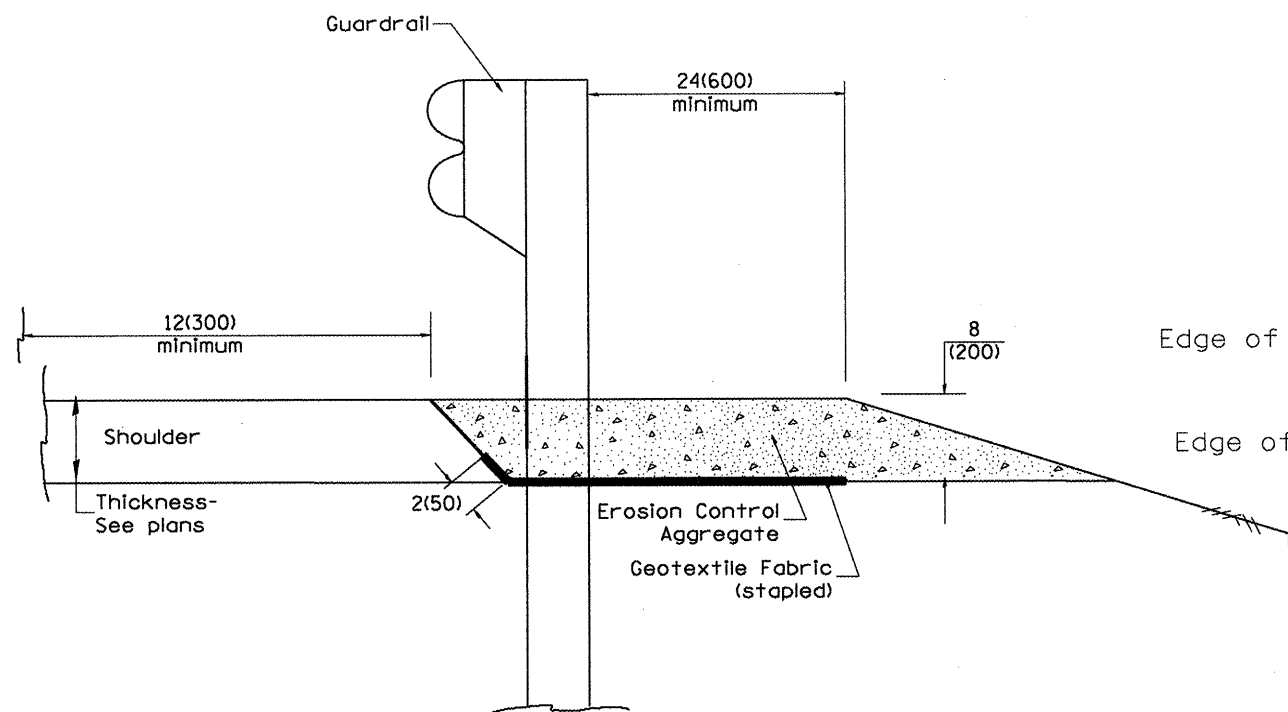


TYPICAL SECTION WITH EROSION CONTROL CURB



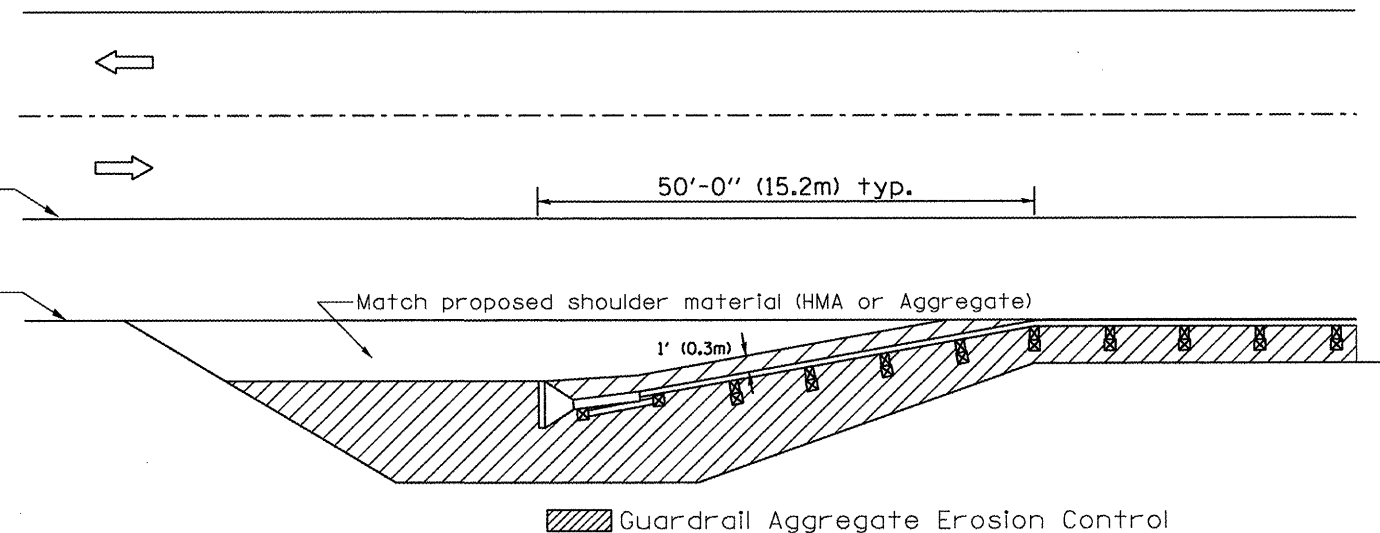
TYPICAL SECTION WITHOUT EROSION CONTROL CURB

GENERAL NOTES: EROSION CONTROL CURB

1. This work shall consist of grading as needed, installing hardware and treated timber boards, furnishing and placing mastic material and incidental bituminous surfacing in front of Steel Plate Beam Guardrail in accordance with Plan Details.
2. Timber shall be treated in accordance with Article 1007.12. All preservatives specified in the article will be allowed. Waterborne preservatives "asa" and "cca" shall have a minimum retention of 0.40 lbs./cu. ft. (6.4 kg/m³)

GENERAL NOTES: GUARDRAIL AGGREGATE EROSION CONTROL

1. This work shall consist of grading as needed, furnishing and installing geotextile fabric and staples, and furnishing, placing and shaping crushed aggregate around and behind Steel Plate Beam Guardrail posts in accordance with Plan Details.
2. Before placing the aggregate and the Geotextile Fabric, weeds and grass shall be removed from the area to be covered.
3. After the area has been prepared, and in a dry condition, the Geotextile fabric shall be placed with a 12(300) minimum overlap. A knife cut for guardrail post installation is necessary.
4. The aggregate shall be deposited, compacted and shaped by either mechanical or hand methods, in a manner reasonably true to line and grade.
5. The Contractor shall have the option of placing the guardrail before or after the Geotextile Fabric and Aggregate are in place. If the guardrail is placed after the Geotextile Fabric and Aggregate, then any voids must be filled and the aggregate returned to line and grade.
6. Materials shall meet the following requirements:
 - A. The crushed aggregate shall be CA1 gradation in accordance with Article 1004.01(c) of the Standard Specifications.
 - B. The Geotextile Fabric shall be nonwoven fabric in accordance with Article 1080.02 of the Standard Specifications.



All dimensions are in inches (millimeters) unless otherwise noted.

01-01-97	RENUM. C-22.01. NEW REVISION BOX	T.P.	3-7-11	Added Detail showing plan view	R.D.	STATE OF ILLINOIS DEPARTMENT OF TRANSPORTATION	GUARDRAIL EROSION CONTROL TREATMENTS	F.A.P. RTE.	SECTION	COUNTY	TOTAL SHEETS	SHEET NO.	
03-01-97	CORRECT STD. NUMBERS IN NOTES PG. 2	J.A.						155	90C108RS-4,1107,106,106XIRS-23	TAZEWELL	92	84	
11-03-00	CORRECTION TO NOTES	M.A.						CONTRACT NO. 68914					
10-16-06	REVISED TO 2007 SPEC.	M.A.						SHT. 1 OF 2 CADD STD. 630101-D4					
								NOT TO SCALE					