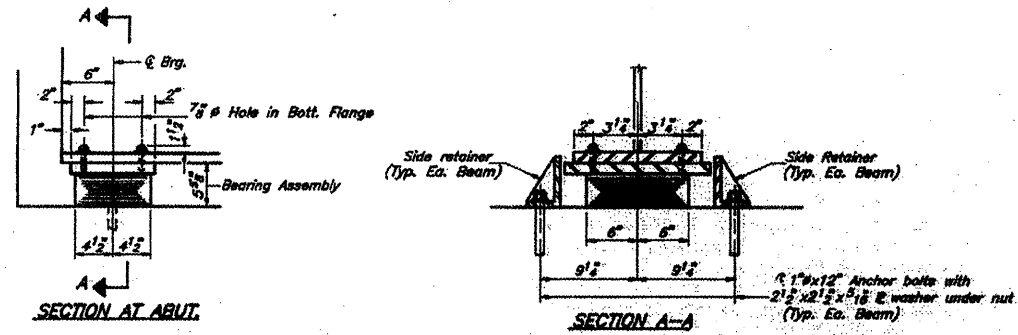
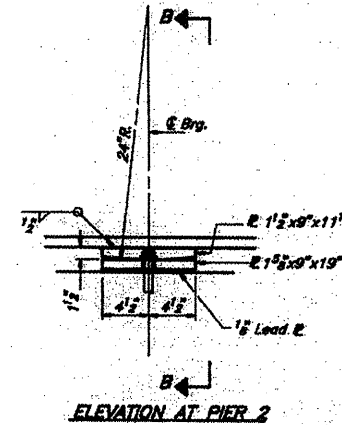


Location 2 S.N. 062-0004 Information Only

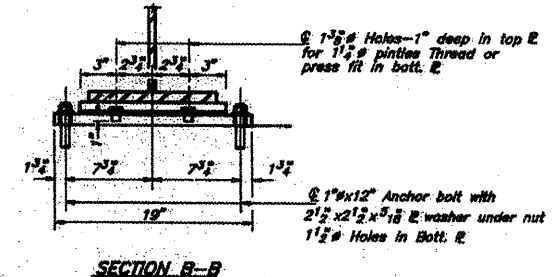


TYPE I ELASTOMERIC EXP. BRG. - NEW BEAMS
ABUTMENTS
(4 Required)

*NOTE:
Anchor bolts at fixed bearings may be built into the masonry. (New Beam Only)
See Sh.# 13 for anchor bolt installation.

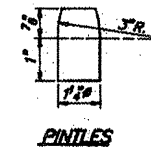


ELEVATION AT PIER 2
FIXED BEARING AT PIER 2
(BEAMS 1 & 2)
(2 Req'd.)

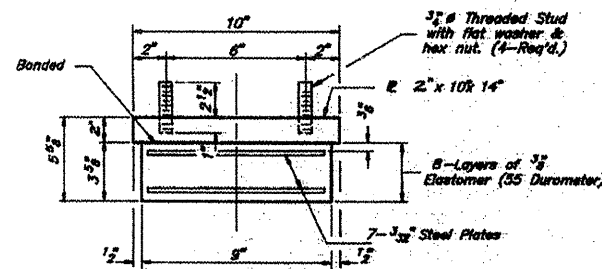


SECTION B-B

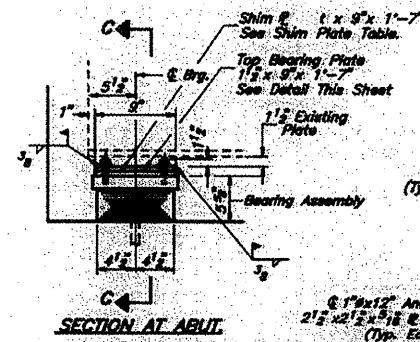
NOTE:
Existing Bearings at Pier 2 shall be cleaned by Method I.



PINTLES

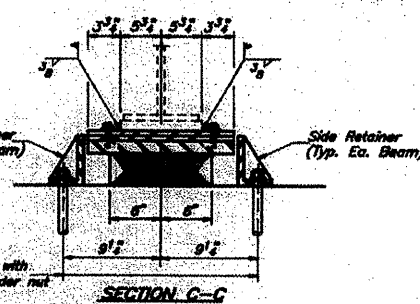


BEARING ASSEMBLY ABUTMENT - NEW BEAMS
(4 Req'd.)
NOTE: Shim plates shall not be placed under bearing assembly.

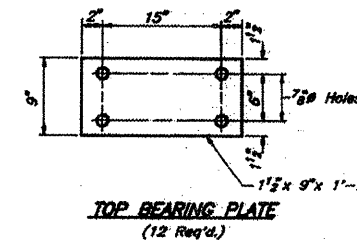


SECTION AT ABUT.
TYPE I ELASTOMERIC EXP. BRG. - EXISTING BEAMS
ABUTMENTS
(12 Required)

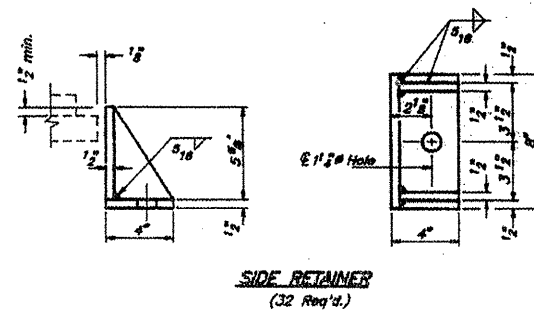
*NOTE:
Anchor bolts at fixed bearings may be built into the masonry. (New Beam Only)
See Sh.# 13 for anchor bolt installation.



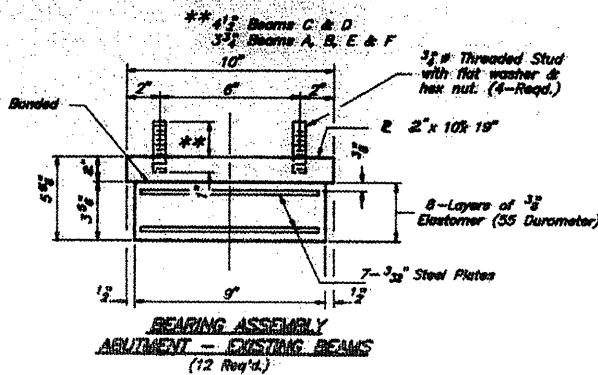
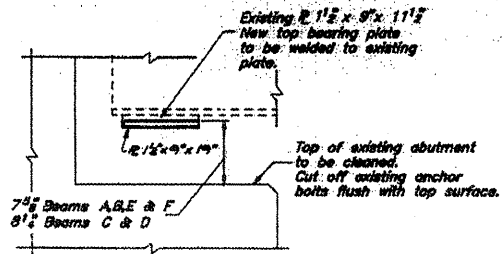
SECTION C-C



TOP BEARING PLATE
(12 Req'd.)



SIDE RETAINER
(32 Req'd.)



BEARING ASSEMBLY ABUTMENT - EXISTING BEAMS
(12 Req'd.)

FILE NAME : 68462 Metatizing.dgn	USER NAME : Adede88	DESIGNED -	REVISED -
		DRAWN -	REVISED -
		CHECKED -	REVISED -
		DATE -	REVISED -

STATE OF ILLINOIS
DEPARTMENT OF TRANSPORTATION

SCALE: _____	SHEET _____ OF _____ SHEETS	STA. _____ TO STA. _____
--------------	-----------------------------	--------------------------

F.A. RTE.	SECTION	COUNTY	TOTAL SHEET NO.
Var	D4 Metatizing 2012	Marshall-woodford	21 11
			CONTRACT NO. 68462
ILLINOIS FED. AID PROJECT			