

PROPOSED TYPICAL SECTION
 (IL. RTE. 8)
 STA. 271+00 (AH.) TO STA. 283+98.20

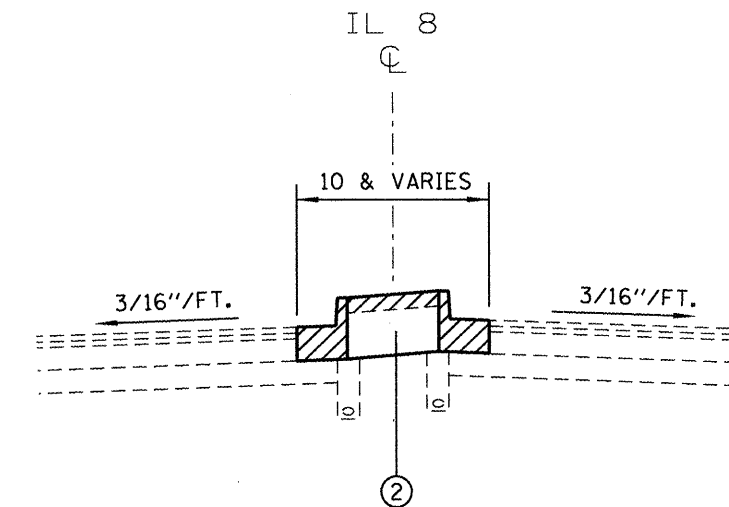
REMOVAL

EXISTING LEGEND

- Ⓐ SUB-BASE GRANULAR MATERIAL, TYPE A
- Ⓑ P.C.C. BASE COURSE, 8 1/2"
- Ⓒ HMA OVERLAY
- Ⓓ CCC&G, TYPE B-9.24
- Ⓔ CONC. MEDIAN SURFACE, 4"
- Ⓕ PIPE UNDERDRAINS, 4"
- Ⓖ AGGREGATE SHOULDER
- Ⓗ SUB-BASE GRANULAR MATERIAL, TYPE C
- Ⓙ HMA SHOULDER

PROPOSED LEGEND

- ① COMB. CONC. CURB AND GUTTER, TYPE M-6.24
- ② CONCRETE MEDIAN, TYPE SB-9.24
- ③ PORTLAND CEMENT CONCRETE SIDEWALK 4"
- ④ TOPSOIL FURNISH & PLACE, 4"
- ⑤ SODDING, SALT TOLERANT
- ⑥ SEEDING, CLASS 2A
- ⑦ HMA SURFACE REMOVAL, 1 1/2"
- ⑧ POLY HMA SURFACE COURSE, MIX "E", N50 (1 1/2")



PROPOSED MEDIAN TYPICAL SECTION
 IL. RTE. 8
 STA. 283+98.20 TO STA. 284+45.40

FILE NAME = D412345-sh1-cover.dgn	USER NAME = horstkj	DESIGNED -	REVISED -	STATE OF ILLINOIS DEPARTMENT OF TRANSPORTATION	TYPICAL SECTIONS		F.A.P. RTE. 399	SECTION (35,36)N-1	COUNTY TAZEWELL	TOTAL SHEETS 60	SHEET NO. 13	
	PLOT SCALE = 48.0000' / 1"	DRAWN -	REVISED -				SCALE: SHEET OF SHEETS STA. TO STA.		CONTRACT NO. 68A66		ILLINOIS FED. AID PROJECT	
	PLOT DATE = 12/16/2011	CHECKED -	REVISED -				ILLINOIS FED. AID PROJECT					