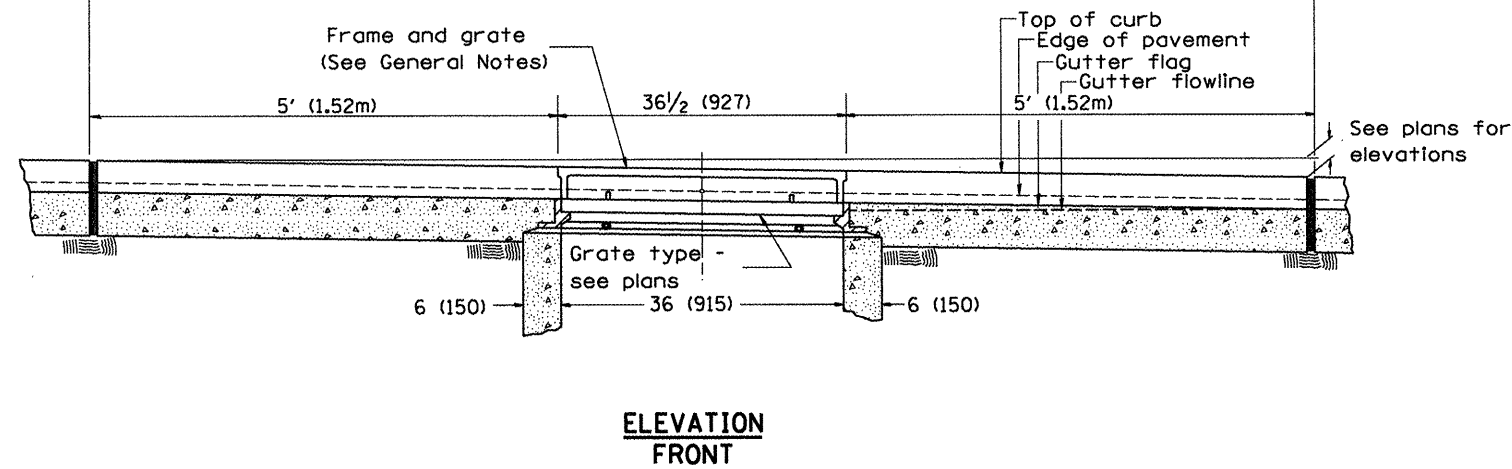


GENERAL NOTES

1. Inlet construction shall be in accordance with Section 602 of the Standard Specifications.
2. Combination Concrete Curb & Gutter shall be constructed in accordance with Section 606 of the Standard Specifications.
3. See District CADD Standard 604001-D4 for frame and grates.



All dimensions are in inches (millimeters) unless otherwise noted.

01-01-97	RENUM. B-4.01, NEW REVISION BOX	T.P.							
10-99	REVISION TO GENERAL NOTES	J.A.							
02-00	REVISION TO DESIGNER NOTES	J.A.							
10-16-06	REVISED TO 2007 SPEC.	M.A.							

STATE OF ILLINOIS
DEPARTMENT OF TRANSPORTATION

INLETS, TYPE G-1

F.A.P. RTE.	SECTION	COUNTY	TOTAL SHEETS	SHEET NO.
399	(35,36)N-1	TAZEWELL	60	46
			CONTRACT NO. 68A66	
FED. ROAD DIST. NO.		ILLINOIS FED. AID PROJECT		

NOT TO SCALE

CADD STD. 602001-D4