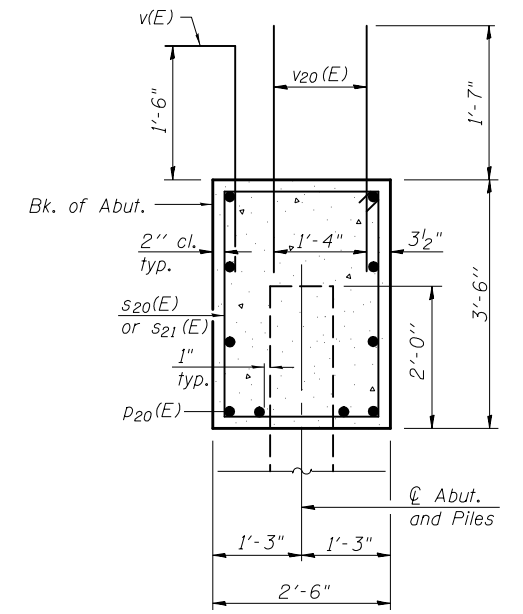
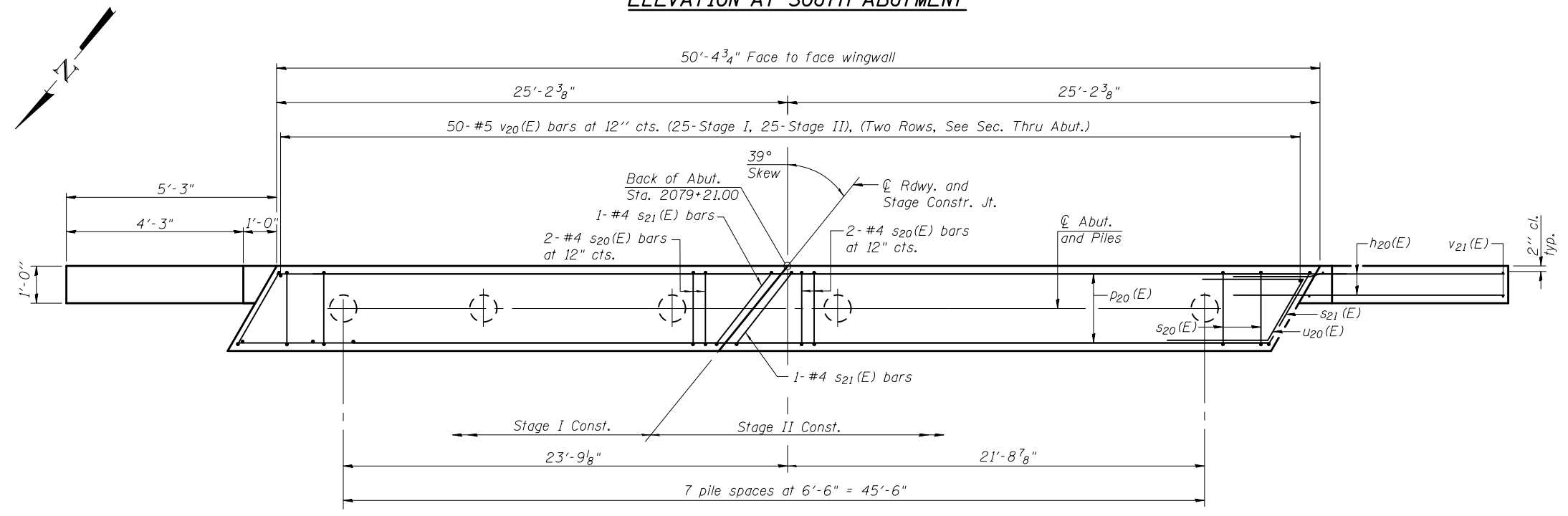


ELEVATION AT SOUTH ABUTMENT



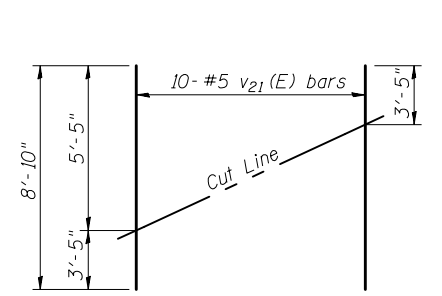
SEC. THRU ABUT.



PLAN

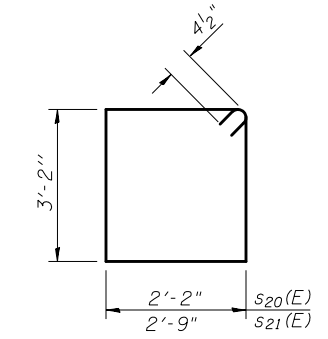
PILE DATA

Type: Metal Shell Piles 14" dia. x 0.312" walls with pile shoes
 Nominal Required Bearing: 335 kips
 Factored Resistance Available: 140 kips
 Est. Length: 46'
 No. Production Piles: 8
 No. Test Piles: 0

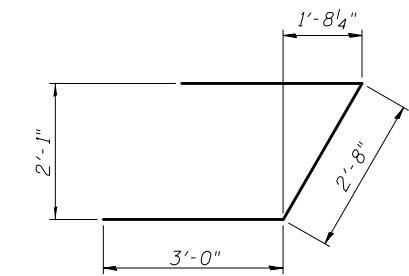


FIELD CUTTING DIAGRAM

Order v21(E) full length. Cut as shown and use remainder of bars in opposite face.



BARS s20(E) & s21(E)



BAR u20(E)

BILL OF MATERIAL

Bar	No.	Size	Length	Shape
h20(E)	36	#5	7'-9"	—
p20(E)	20	#7	24'-10"	—
s20(E)	44	#4	11'-5"	□
s21(E)	4	#4	12'-7"	□
u20(E)	8	#6	8'-8"	∟
v20(E)	100	#5	3'-7"	—
v21(E)	10	#5	8'-10"	—
v22(E)	4	#5	5'-5"	—
Concrete Structures		Cu. Yd.	18.3	
Reinforcement Bars, Epoxy Coated		Pound	2,270	
Furnishing Metal Shell Piles 14" x 0.312"		Foot	368	
Driving Piles		Foot	368	
Pile Shoes		Each	8	

For details of Bar Splicers, see sheet 18 of 19.
 For details of piles, see sheet 17 of 19.
 For v(E) bar details, see sheets 9 thru 11 of 19.

HURST-ROSCHE ENGINEERS, INC.
 HILLSBORO, ILLINOIS 62049
 (217)532-3959 FAX (217)532-3212
 HR JOB # 190-1580



AI-R 7-1-10

FILE NAME =	USER NAME =	DESIGNED - JSP	REVISED -
		CHECKED - CJC	REVISED -
		DRAWN - UJ	REVISED -
		CHECKED - RVB	REVISED -

STATE OF ILLINOIS
 DEPARTMENT OF TRANSPORTATION

SOUTH ABUTMENT
 STRUCTURE NO. 010-0286

SHEET NO. 14 OF 19 SHEETS

F.A.P. RTE.	SECTION	COUNTY	TOTAL SHEETS	SHEET NO.
808	94BR-1	CHAMPAIGN	50	27
CONTRACT NO. 70582				

ILLINOIS FED. AID PROJECT