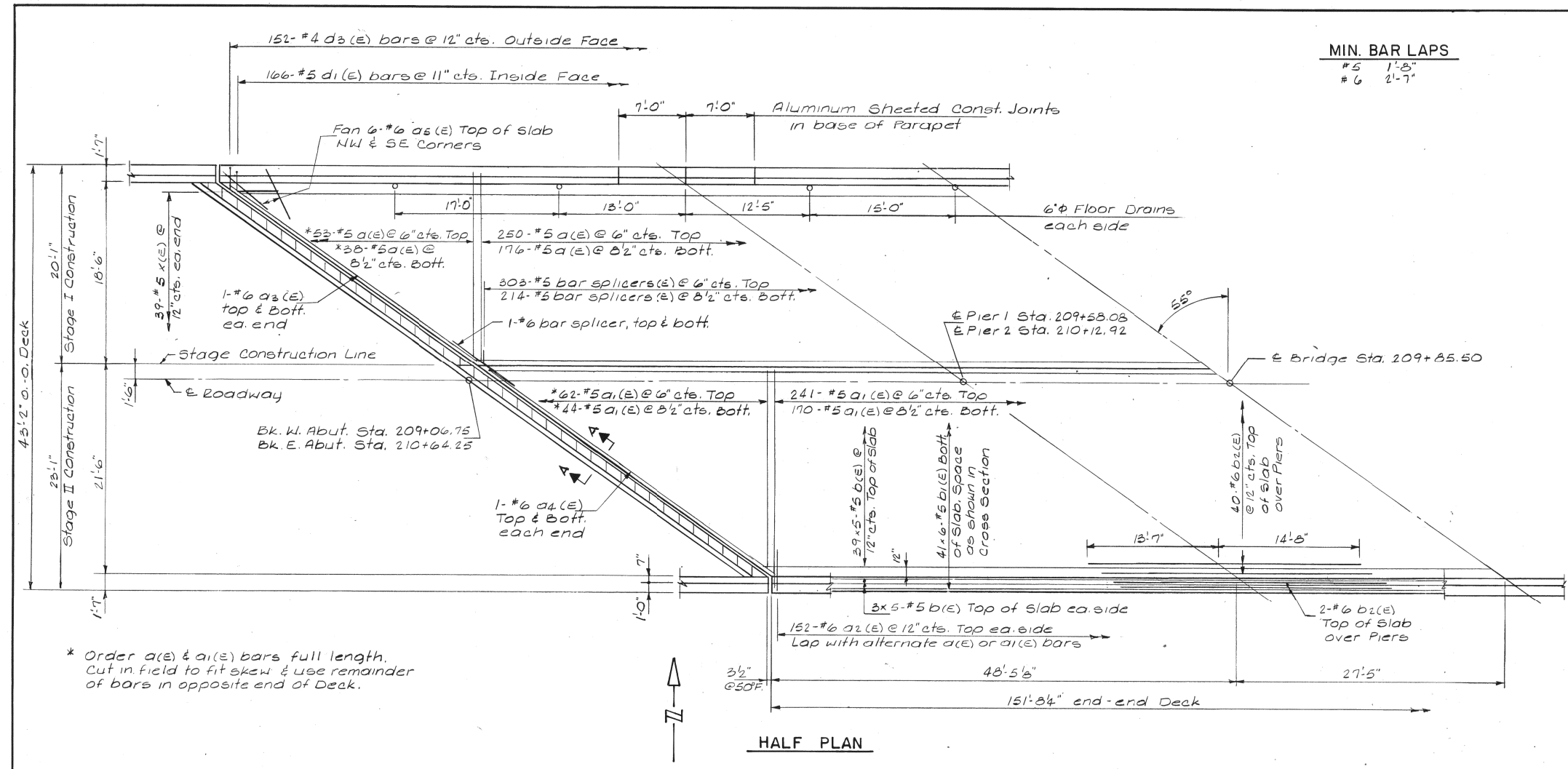


FAP RTE.	SECTION	COUNTY	TOTAL SHEETS	SHEET NO.
317	27 BR	McLEAN	49	29
STA.	TO STA.			
F.H.W.A. REG.	ILLINOIS			

Sheet 5 of 19



* Order a(E) & a1(E) bars full length. Cut in field to fit skew & use remainder of bars in opposite end of Deck.

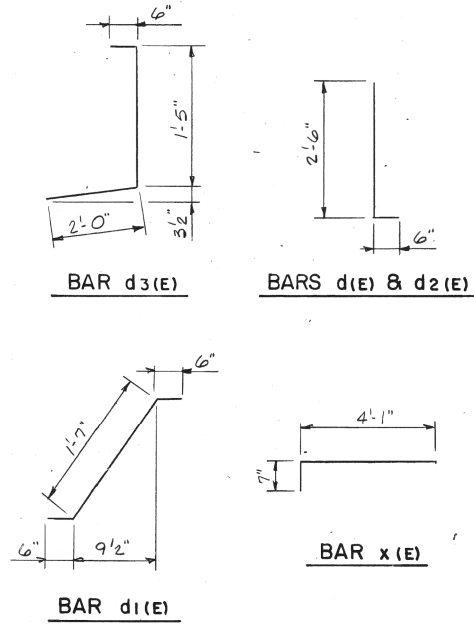
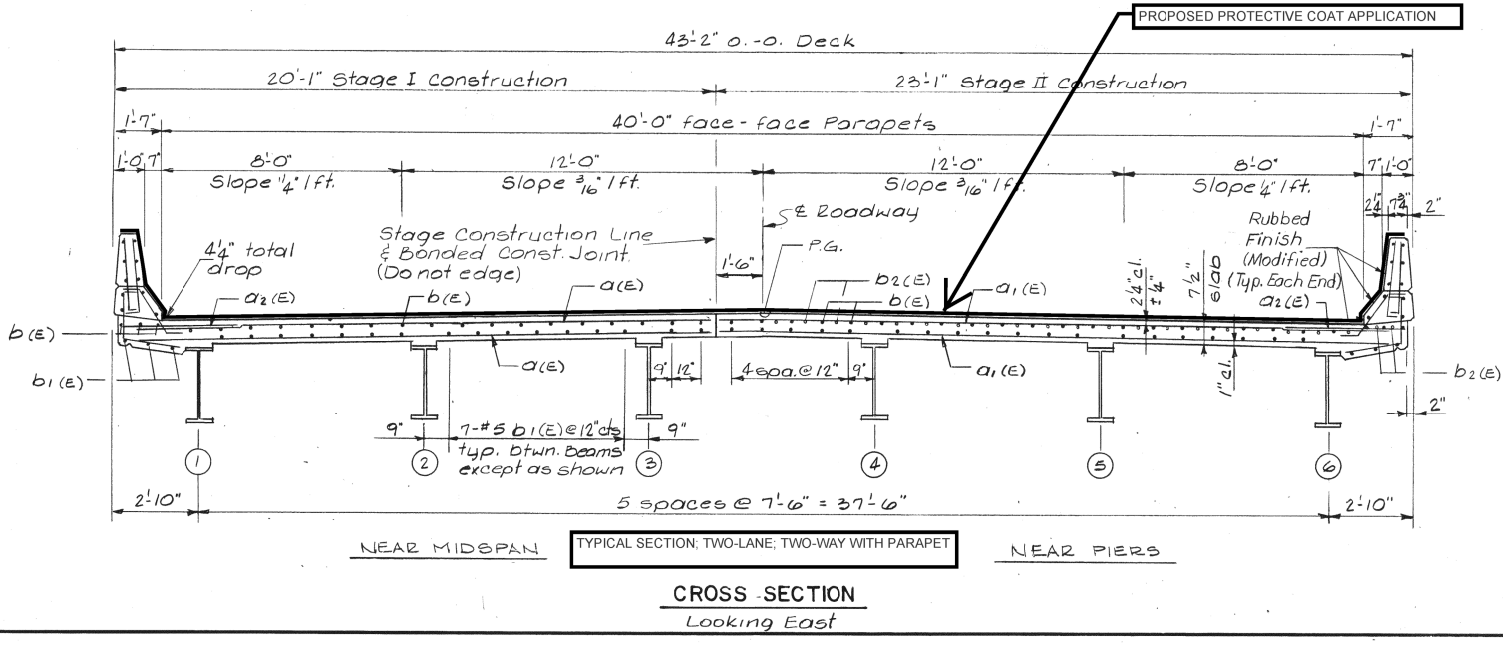
MIN. BAR LAPS

#5	1'-8"
#6	2'-7"

SUPERSTRUCTURE BILL OF MATERIAL

BAR	NO	SIZE	LENGTH	SHAPE
a(E)	517	#5	19'-1"	
a1(E)	517	#5	22'-1"	
a2(E)	304	#6	4'-0"	
a3(E)	4	#6	36'-2"	
a4(E)	4	#6	37'-3"	
a5(E)	12	#6	6'-0"	
b(E)	225	#5	31'-3"	
b1(E)	246	#5	26'-5"	
b2(E)	83	#6	23'-3"	
d(E)	332	#5	3'-0"	
d1(E)	332	#5	2'-7"	
d2(E)	304	#4	3'-0"	
db(E)	304	#4	3'-11"	
c(E)	72	#4	13'-6"	
c1(E)	48	#4	6'-9"	
c2(E)	36	#4	13'-4"	
c3(E)	16	#3	22'-5"	
c4(E)	16	#3	6'-9"	
c5(E)	3	#3	22'-2"	
c6(E)	16	#5	21'-5"	
c7(E)	16	#5	6'-9"	
c8(E)	3	#5	21'-2"	
x(E)	73	#5	4'-5"	

Class X Concrete Superstructure	Cu.Yds.	200.4
Reinforcement Bars Epoxy Coated	Lbs.	49,820
Floor Drains	Each	14
Bar Splicers	Each	521



Notes: For Superstructure Details & Parapet Reinforcement see Sheet 6 of 19. Reinforcement bars designated (E) shall be epoxy coated. Bars indicated thus: 39 x 5-#5ets, indicates 39 lines of bars with 5 lengths per line. For Details of bar splicers see Sheet 17 of 19. Hatched areas to be poured after Superstructure forms have been removed. Quantity of concrete included with Class X Concrete Superstructure.

SUPERSTRUCTURE
BRIDGE OVER ROOKS CREEK

FAP RTE. 317 (US 24)
SECTION 27 BR
McLEAN COUNTY
STATION 209 + 85.50
S.N. 057 - 0230