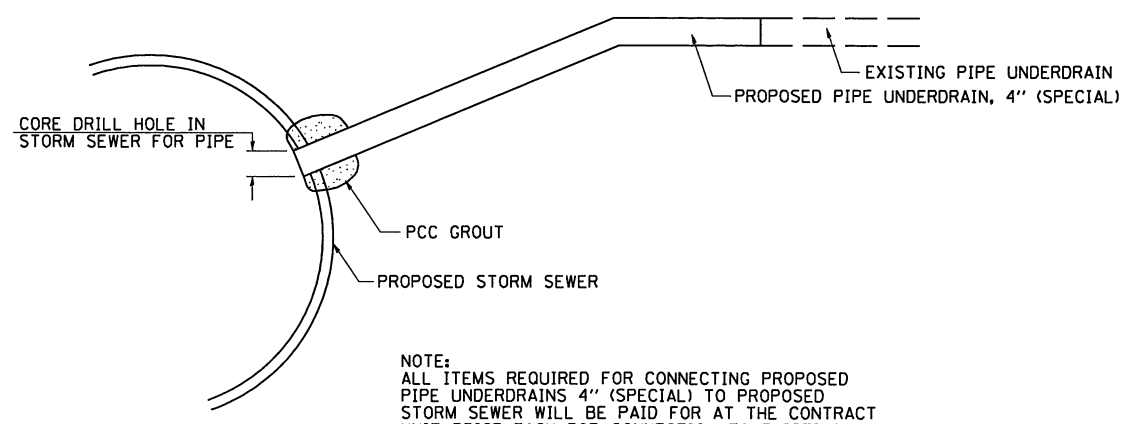
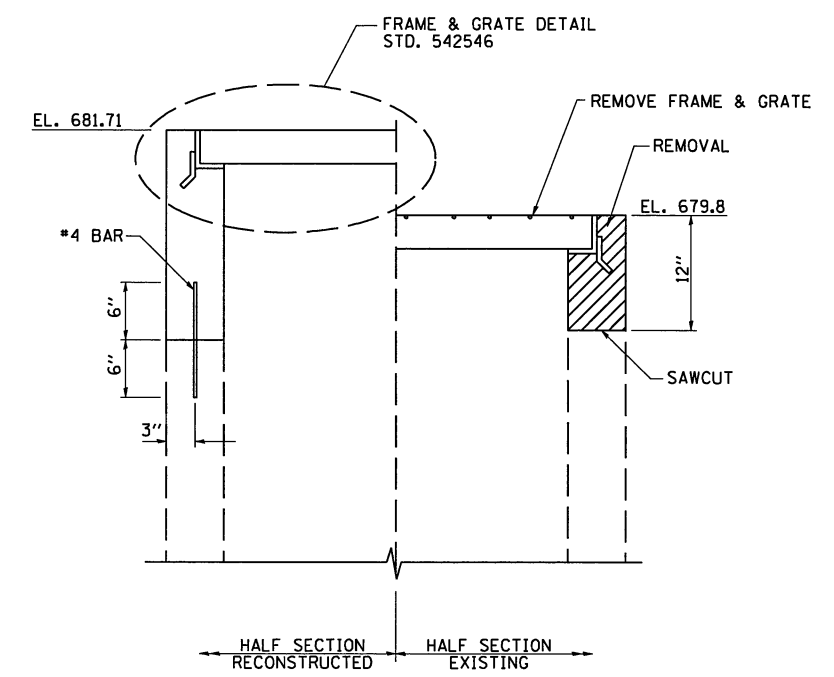
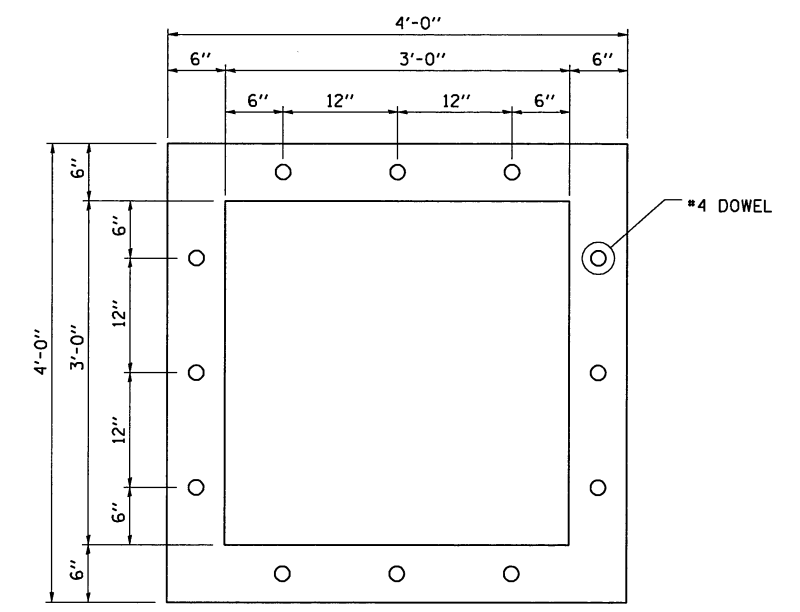


**UNDERDRAIN OUTLET
BELOW DITCH GRADE
TYPICAL DETAIL**



NOTE:
ALL ITEMS REQUIRED FOR CONNECTING PROPOSED PIPE UNDERDRAINS 4" (SPECIAL) TO PROPOSED STORM SEWER WILL BE PAID FOR AT THE CONTRACT UNIT PRICE EACH FOR CONNECTION TO EXISTING SEWER.

**DETAIL OF CONNECTING PIPE UNDERDRAINS
4" (SPECIAL) TO PROPOSED STORM SEWER**



**DETAIL INLET TO BE
RECONSTRUCTED**
STATION 612+00.13

FILE NAME =	USER NAME = #USER#	DESIGNED -	REVISED -
#FILEL#		DRAWN -	REVISED -
	PLOT SCALE = #SCALE#	CHECKED -	REVISED -
	PLOT DATE = #DATE#	DATE -	REVISED -

**STATE OF ILLINOIS
DEPARTMENT OF TRANSPORTATION**

UNDERDRAIN OUTLET DETAILS			
SCALE:	SHEET NO. 1 OF 1 SHEETS	STA.	TO STA.

F.A.I RTE. 74	SECTION HSIP FY2012-1	COUNTY CHAMPAIGN	TOTAL SHEETS 160	SHEET NO. 32
			CONTRACT NO. 70956	
ILLINOIS FED. AID PROJECT				