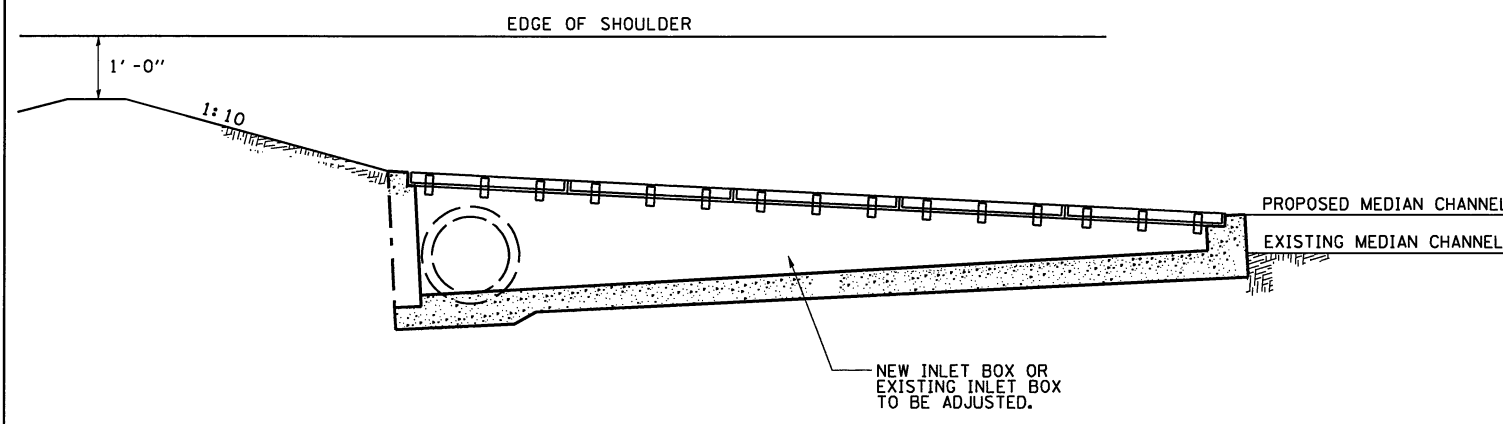


PLAN



SECTION A-A

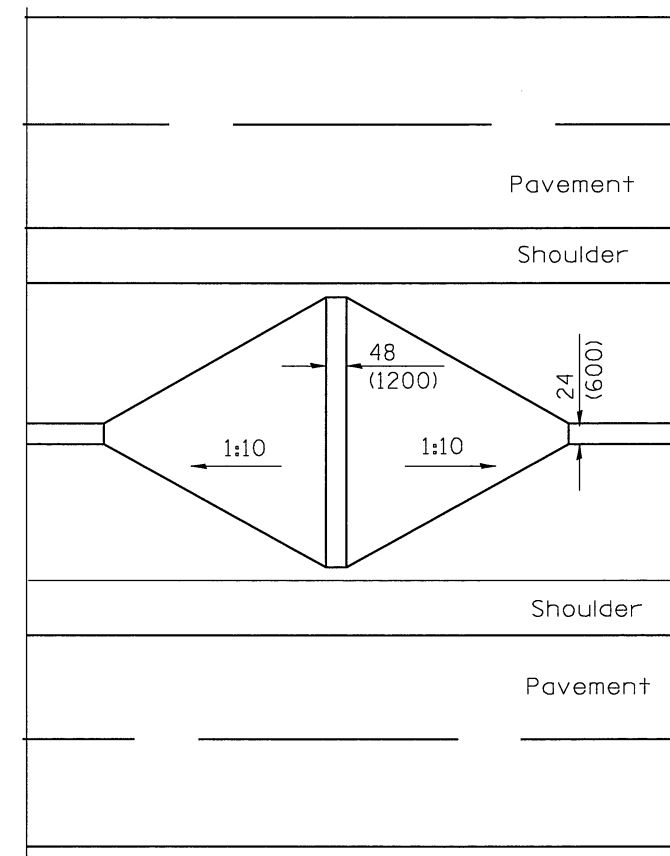
**INLET BOX TYPE 24 G (STD. 542531)
TYPICAL INSTALLATION**

NOTES:

THE CONTRACTOR WILL BE RESPONSIBLE FOR VERIFYING PIPE LENGTHS PRIOR TO ORDERING. THE CONTRACTOR WILL BE RESPONSIBLE FOR VERIFYING COMPATIBILITY OF PIPE JOINING (EXISTING BELL AND SPIGOT DIMENSIONS). AN ADDITIONAL CONCRETE COLLAR MAY BE REQUIRED. IF REQUIRED, CONCRETE COLLARS WILL BE PAID FOR AT THE CONTRACT UNIT PRICE, PER CUBIC YARD FOR CONCRETE COLLARS, INCLUDING ALL MATERIAL AND LABOR SPECIFIED TO COMPLETE THE WORK IN PLACE.

THE CONTRACTOR SHALL INSURE EXISTING INLET AND PIPE CULVERT ARE NOT DAMAGED DURING CONSTRUCTION. ANY DAMAGE DURING CONSTRUCTION SHALL BE THE CONTRACTOR'S RESPONSIBILITY TO REPAIR OR REPLACE TO THE SATISFACTION OF THE ENGINEER, NO ADDITIONAL COMPENSATION WILL BE ALLOWED.

DETAILS NOT SHOWN SHALL BE PER STANDARD 542531.



EARTH MEDIAN DITCH CHECK SPECIAL

- LOCATIONS**
- STA. 521+00.60
 - STA. 588+00.73
 - STA. 653+01.23
 - STA. 707+51.72
 - STA. 732+00.33

FILE NAME =	USER NAME = #USER#	DESIGNED -	REVISED -
*FILEL#		DRAWN -	REVISED -
	PLOT SCALE = #SCALE#	CHECKED -	REVISED -
	PLOT DATE = #DATE#	DATE -	REVISED -

**STATE OF ILLINOIS
DEPARTMENT OF TRANSPORTATION**

**INLET BOX TYPE 24 G (STD. 542531) TYPICAL INSTALLATION &
EARTH MEDIAN DITCH CHECK SPECIAL DETAILS**

SCALE: SHEET NO. 1 OF 1 SHEETS STA. TO STA.

F.A.I. RTE.	SECTION	COUNTY	TOTAL SHEETS	SHEET NO.
74	HSIP FY2012-1	CHAMPAIGN	160	33
			CONTRACT NO. 70956	
ILLINOIS FED. AID PROJECT				