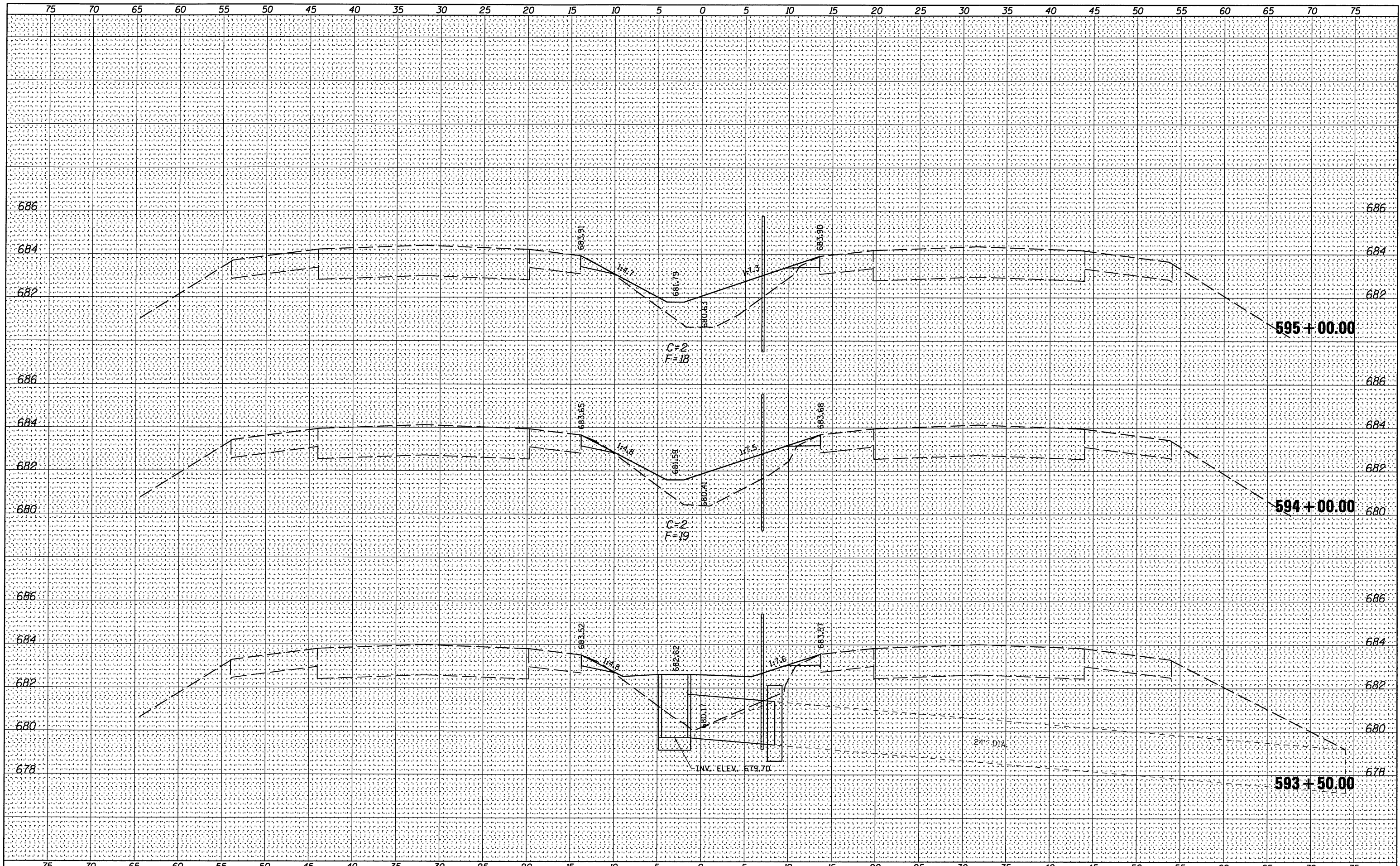


DATE _____
 BY _____
 SURVEYED _____
 PLOTTED _____
 ORIGINAL SURVEY _____
 NOTE BOOK _____
 NO. _____

DATE _____
 BY _____
 SURVEYED _____
 PLOTTED _____
 ORIGINAL SURVEY _____
 NOTE BOOK _____
 NO. _____



FILE NAME = _____
 *FILE# _____

USER NAME = #USER#	DESIGNED -	REVISED -
	DRAWN -	REVISED -
PLOT SCALE = #SCALE#	CHECKED -	REVISED -
PLOT DATE = #DATE#	DATE -	REVISED -

**STATE OF ILLINOIS
 DEPARTMENT OF TRANSPORTATION**

FAI 74 CROSS SECTIONS

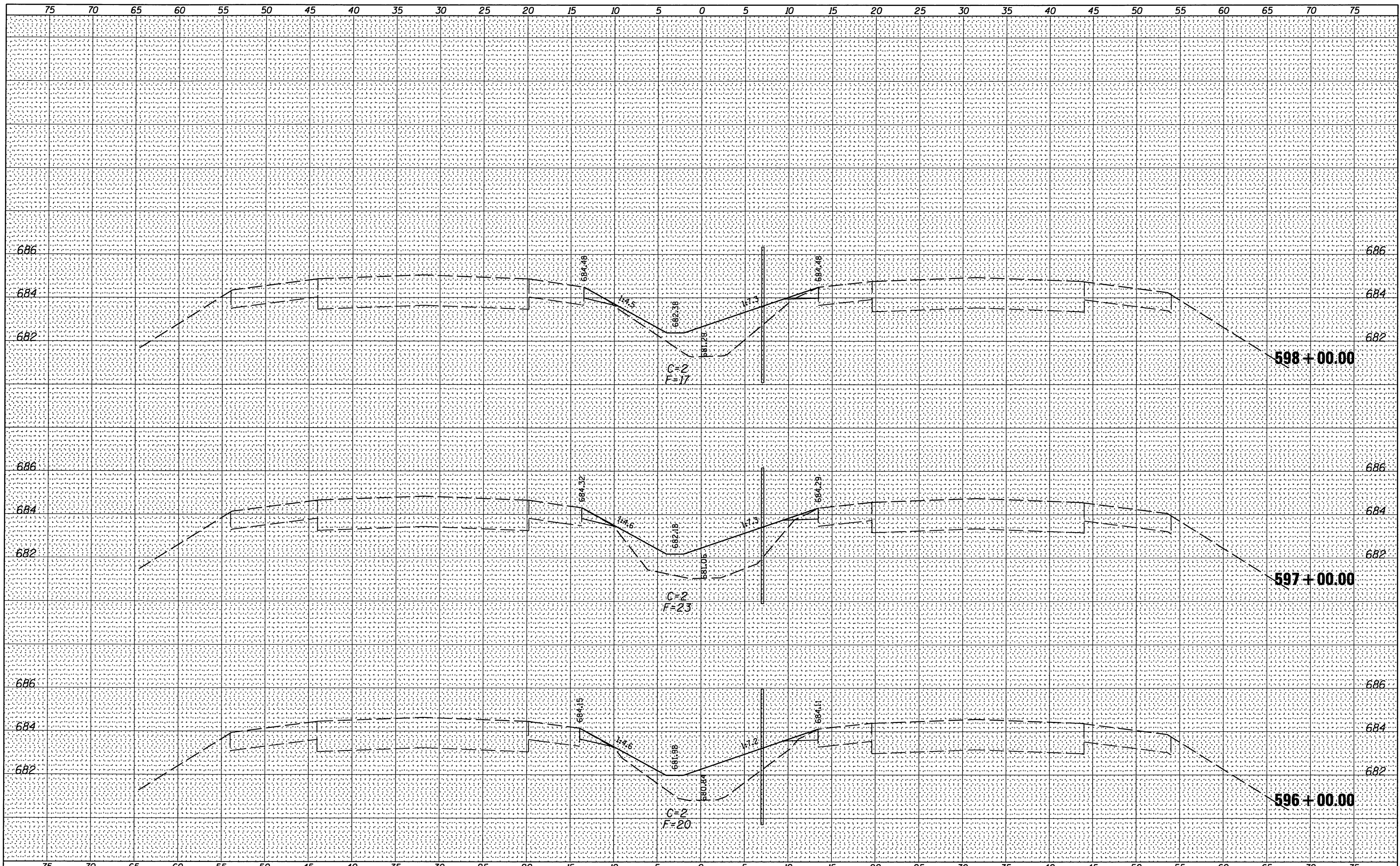
SCALE: _____ SHEET NO. 60 OF 118 SHEETS STA. 593+50.00 TO STA. 595+00.00

F.A.I. RTE.	SECTION	COUNTY	TOTAL SHEETS	SHEET NO.
74	HSIP FY2012-1	CHAMPAIGN	160	102
			CONTRACT NO.	70956

ILLINOIS FED. AID PROJECT

DATE _____
 BY _____
 SURVEYED _____
 PLOTTED _____
 TEMPLATE _____
 NOTE BOOK _____
 AREAS CHECKED _____
 NO. _____

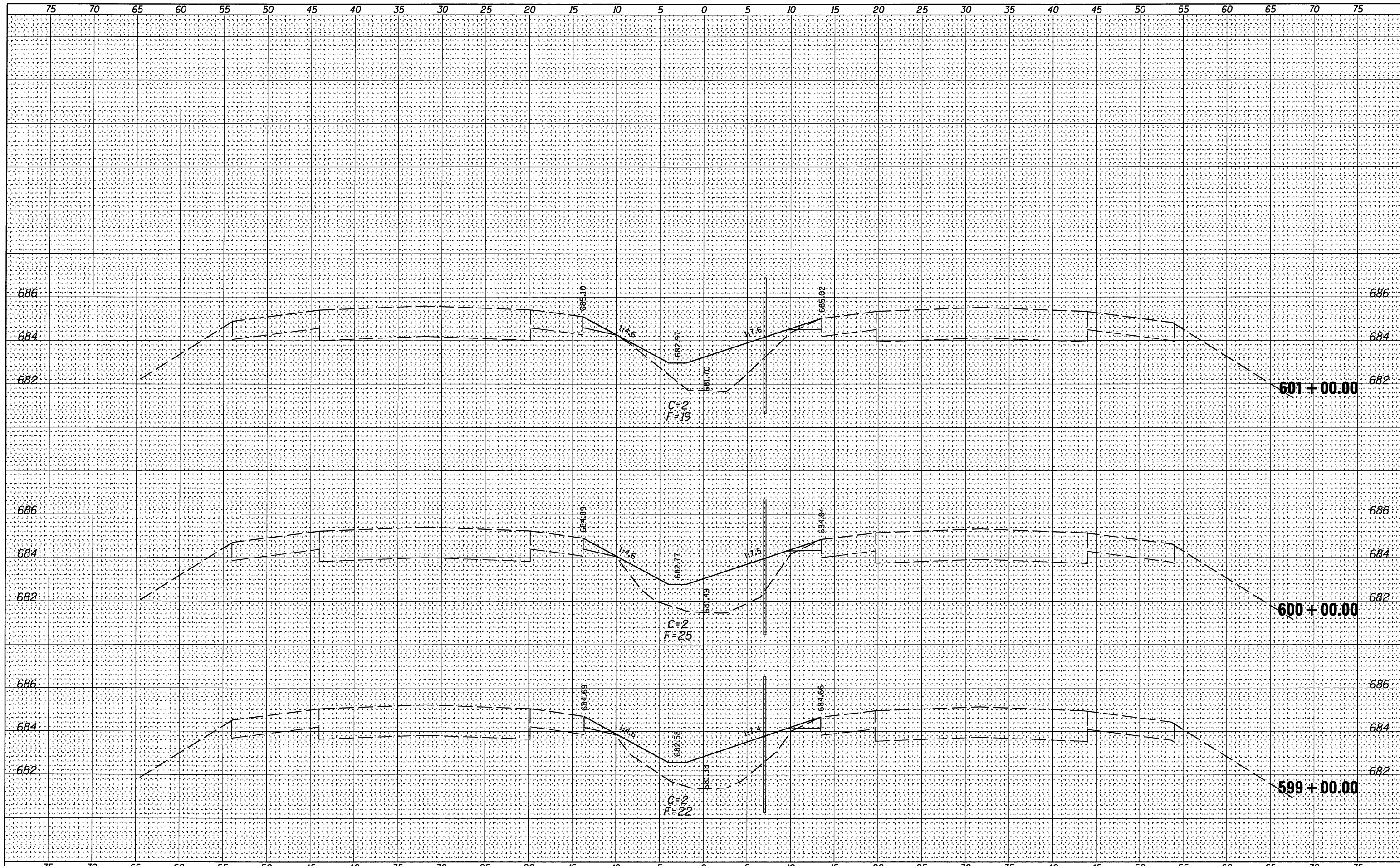
DATE _____
 BY _____
 ORIGINAL SURVEY _____
 PLOTTED _____
 TEMPLATE _____
 NOTE BOOK _____
 AREAS CHECKED _____
 NO. _____



FILE NAME =	USER NAME = #USER#	DESIGNED -	REVISED -	STATE OF ILLINOIS DEPARTMENT OF TRANSPORTATION	FAI 74 CROSS SECTIONS			F.A.I. RTE.	SECTION	COUNTY	TOTAL SHEETS	SHEET NO.
*FILE#		DRAWN -	REVISED -					74	HSIP FY2012-1	CHAMPAIGN	160	103
		CHECKED -	REVISED -		SCALE:			SHEET NO. 61 OF 118 SHEETS		STA. 596+00.00 TO STA. 598+00.00	CONTRACT NO. 70956	
		DATE -	REVISED -		ILLINOIS FED. AID PROJECT							

DATE	
BY	
SURVEYED	
PLOTTED	
TEMPLATE	
AREAS	
AREAS CHECKED	
NO.	

DATE	
BY	
SURVEYED	
PLOTTED	
TEMPLATE	
AREAS	
AREAS CHECKED	
NO.	



FILE NAME =
#FILE#

USER NAME = #USER#
DESIGNED -
DRAWN -
PLOT SCALE = #SCALE#
CHECKED -
PLOT DATE = #DATE#
DATE -

DESIGNED -
DRAWN -
CHECKED -
DATE -

REVISED -
REVISED -
REVISED -
REVISED -

**STATE OF ILLINOIS
DEPARTMENT OF TRANSPORTATION**

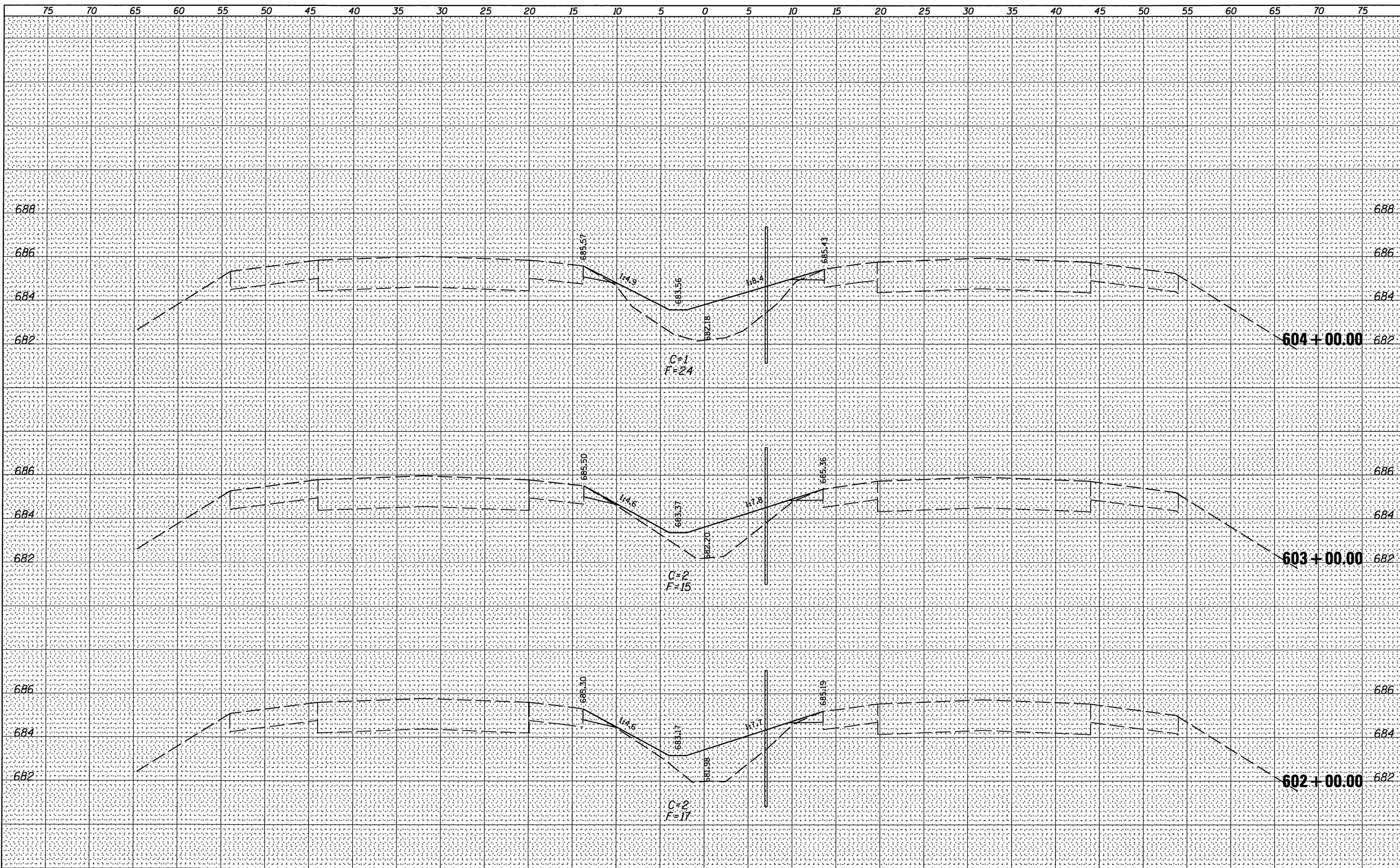
FAI 74 CROSS SECTIONS

SCALE: SHEET NO. 62 OF 118 SHEETS STA. 599+00.00 TO STA. 601+00.00

F.A.I. RTE.	SECTION	COUNTY	TOTAL SHEETS	SHEET NO.
74	HSIP FY2012-1	CHAMPAIGN	160	104
			CONTRACT NO. 70956	
ILLINOIS FED. AID PROJECT				

BY	DATE
SURVEYED	
PLOTTED	
TEMPLATE	
AREAS	
AREAS CHECKED	
NO.	

BY	DATE
SURVEYED	
PLOTTED	
TEMPLATE	
AREAS	
AREAS CHECKED	
NO.	



FILE NAME =
#FILE#

USER NAME = #USER#
DESIGNED -
DRAWN -
PLOT SCALE = #SCALE#
CHECKED -
PLOT DATE = #DATE#
DATE -

REVISIED -
REVISIED -
REVISIED -
REVISIED -

REVISIED -
REVISIED -
REVISIED -
REVISIED -

**STATE OF ILLINOIS
DEPARTMENT OF TRANSPORTATION**

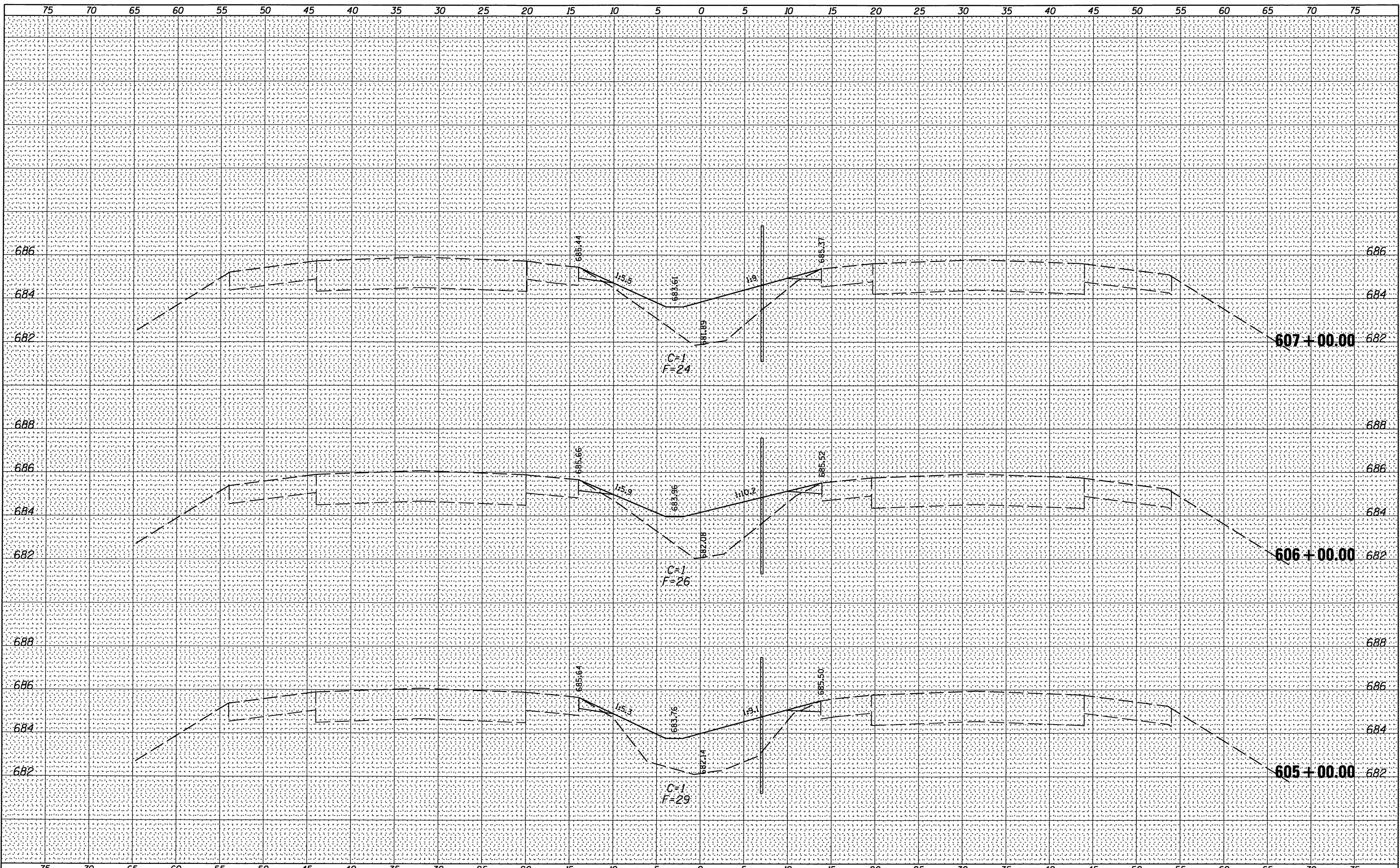
FAI 74 CROSS SECTIONS

SCALE: SHEET NO. 63 OF 118 SHEETS STA. 602+00.00 TO STA. 604+00.00

F.A.I. RTE.	SECTION	COUNTY	TOTAL SHEETS	SHEET NO.
74	HSIP FY2012-1	CHAMPAIGN	160	105
CONTRACT NO. 70956			ILLINOIS FED. AID PROJECT	

FINAL SURVEY	DATE
SURVEYED	
PLOTTED	
NOTE BOOK	
AREAS CHECKED	
NO.	

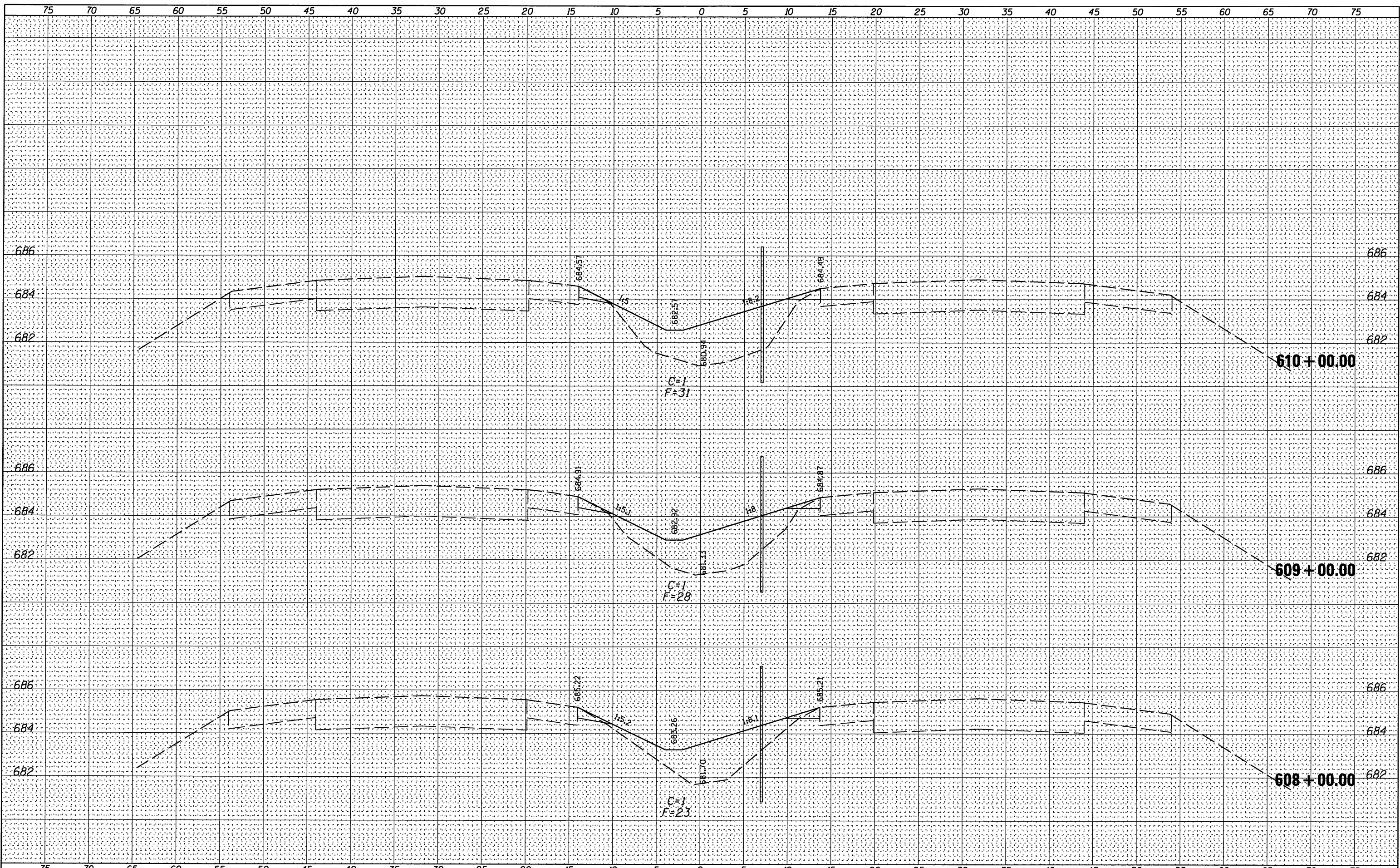
ORIGINAL SURVEY	DATE
SURVEYED	
PLOTTED	
NOTE BOOK	
AREAS CHECKED	
NO.	



FILE NAME =	USER NAME = #USER#	DESIGNED -	REVISED -	STATE OF ILLINOIS DEPARTMENT OF TRANSPORTATION	FAI 74 CROSS SECTIONS			F.A.I. RTE.	SECTION	COUNTY	TOTAL SHEETS	SHEET NO.
#FILE#		DRAWN -	REVISED -					74	HSIP FY2012-1	CHAMPAIGN	160	106
	PLOT SCALE = #SCALE#	CHECKED -	REVISED -		SCALE:			SHEET NO. 64 OF 118 SHEETS		STA. 605+00.00 TO STA. 607+00.00	CONTRACT NO. 70956	
	PLOT DATE = #DATE#	DATE -	REVISED -		ILLINOIS FED. AID PROJECT							

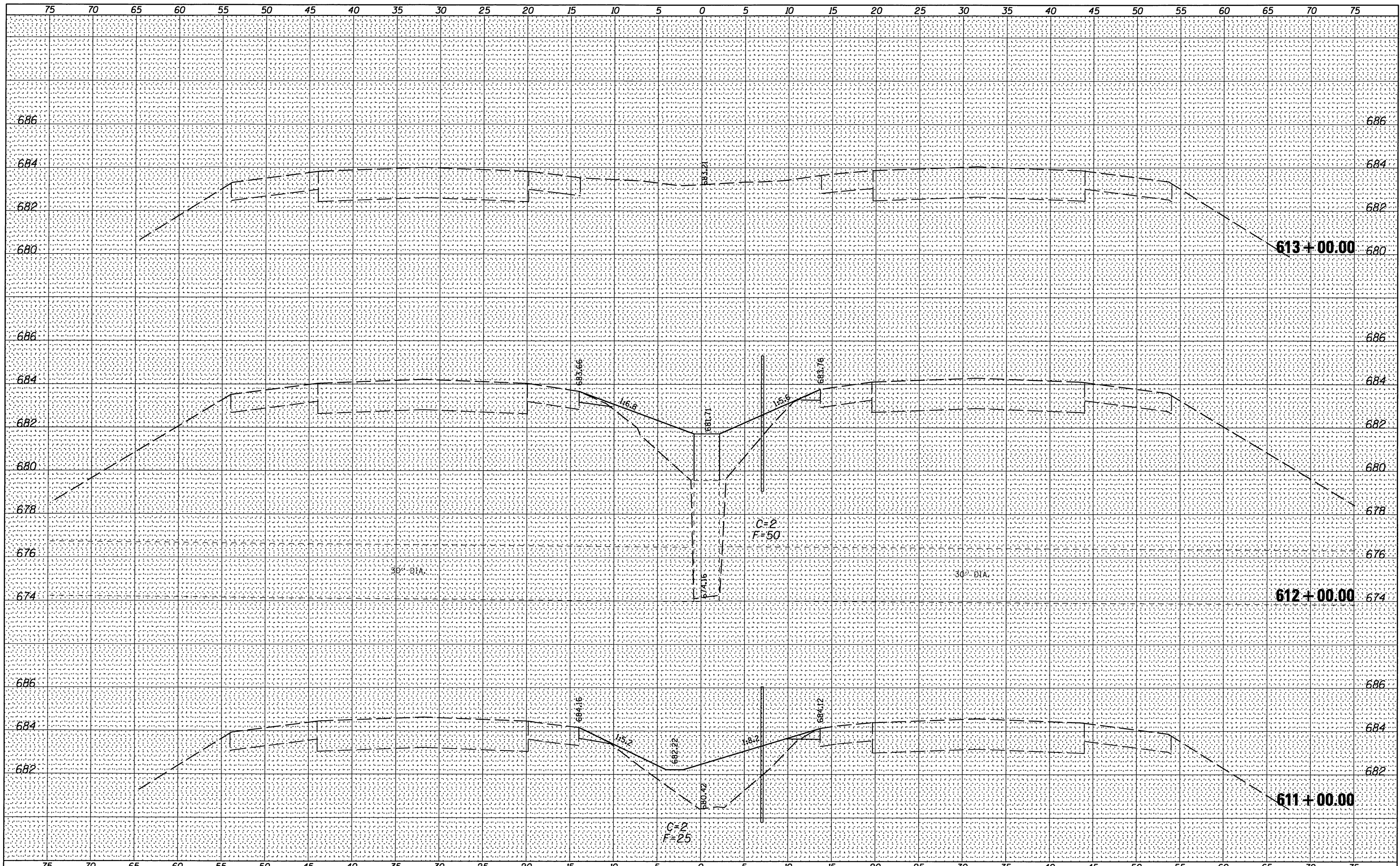
BY: _____ DATE: _____
 SURVEYED _____
 PLOTTED _____
 NOTE BOOK _____
 AREAS CHECKED _____
 NO. _____

BY: _____ DATE: _____
 SURVEYED _____
 PLOTTED _____
 NOTE BOOK _____
 AREAS CHECKED _____
 NO. _____



DATE _____
 BY _____
 SURVEYED _____
 PLOTTED _____
 ORIGINAL SURVEY _____
 NOTE BOOK _____
 NO. _____
 TEMPLATE _____
 AREAS CHECKED _____

DATE _____
 BY _____
 SURVEYED _____
 PLOTTED _____
 ORIGINAL SURVEY _____
 NOTE BOOK _____
 NO. _____
 TEMPLATE _____
 AREAS CHECKED _____



FILE NAME -
 *FILE#

USER NAME = #USER*
 PLOT SCALE = #SCALE*
 PLOT DATE = #DATE*

DESIGNED -	REVISED -
DRAWN -	REVISED -
CHECKED -	REVISED -
DATE -	REVISED -

**STATE OF ILLINOIS
 DEPARTMENT OF TRANSPORTATION**

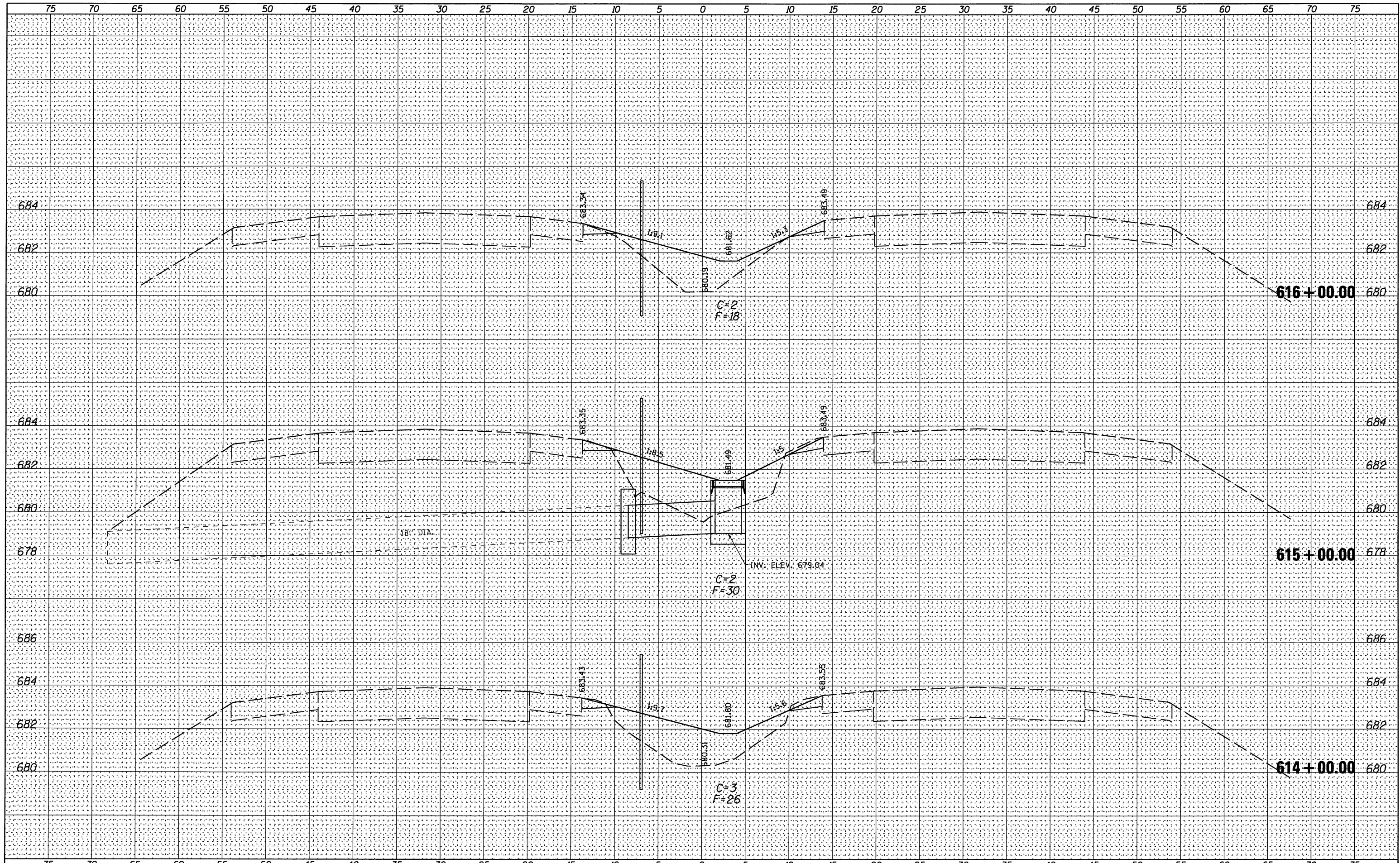
FAI 74 CROSS SECTIONS

SCALE: SHEET NO. 66 OF 118 SHEETS STA. 611+00.00 TO STA. 613+00.00

F.A.I. RTE.	SECTION	COUNTY	TOTAL SHEETS	SHEET NO.
74	HSIP FY2012-1	CHAMPAIGN	160	108
			CONTRACT NO.	70956
[ILLINOIS] FED. AID PROJECT				

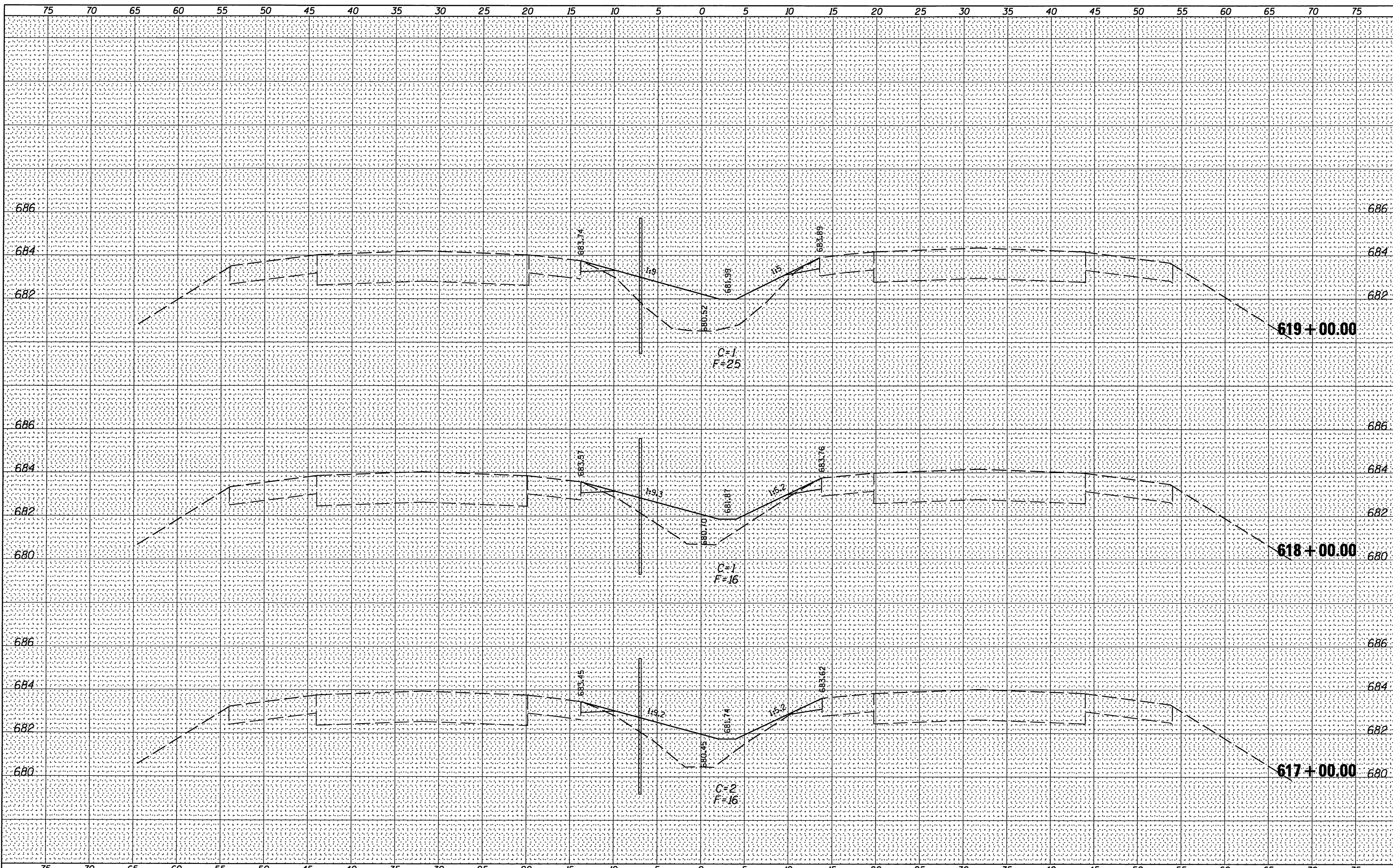
BY	DATE
SURVEYED	
PLOTTED	
TEMPLATE	
AREAS	
AREAS CHECKED	
NO.	

BY	DATE
SURVEYED	
PLOTTED	
TEMPLATE	
AREAS	
AREAS CHECKED	
NO.	



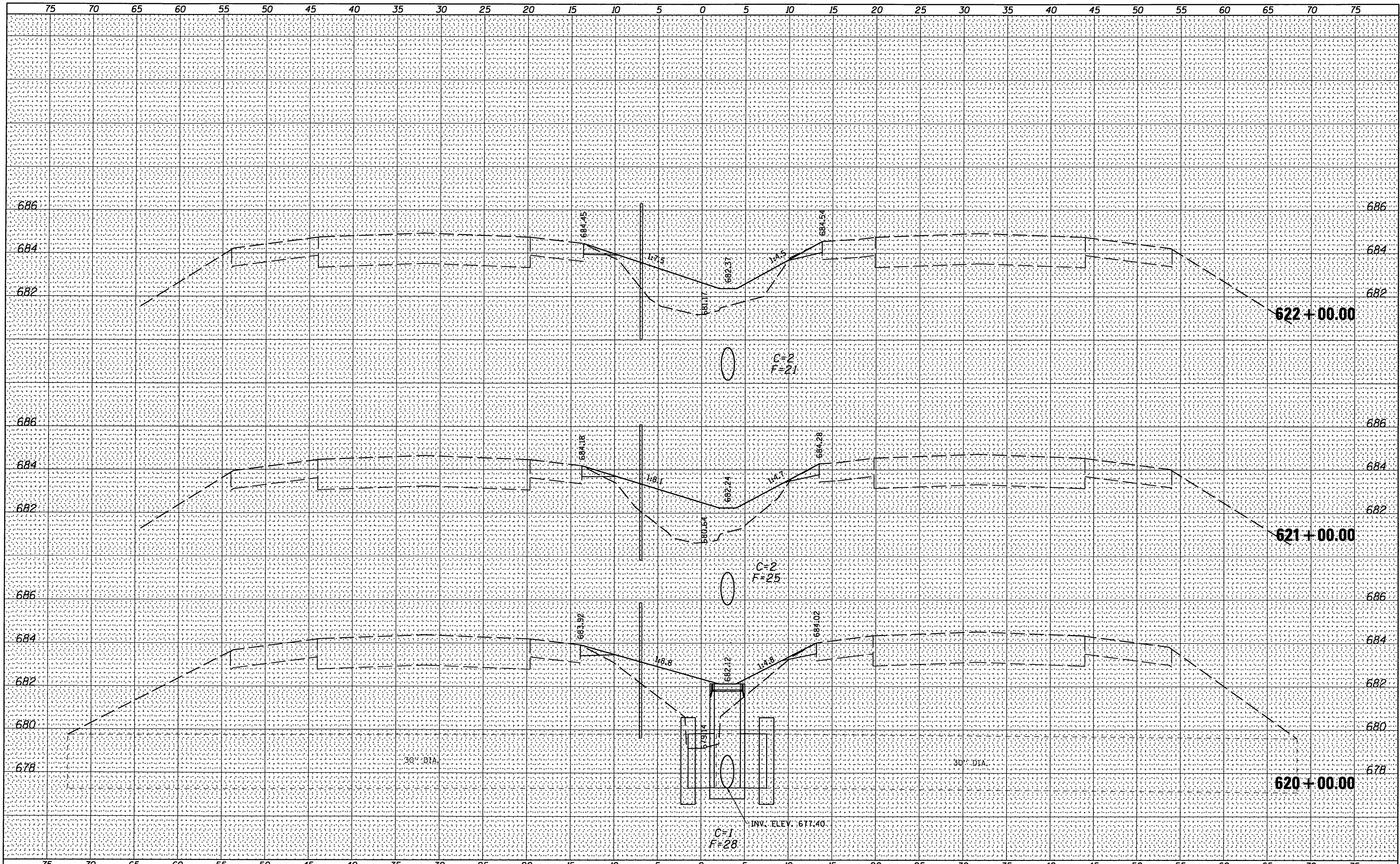
FINAL	DATE
SURVEYED	
PLOTTED	
TEMP. DATE	
AREAS	
NO. CHECKED	

ORIGINAL	DATE
SURVEYED	
PLOTTED	
TEMP. DATE	
AREAS	
NO. CHECKED	



DATE _____
 BY _____
 SURVEYED _____
 PLOTTED _____
 ORIGINAL SURVEY _____
 NOTE BOOK _____
 NO. _____

DATE _____
 BY _____
 SURVEYED _____
 PLOTTED _____
 ORIGINAL SURVEY _____
 NOTE BOOK _____
 NO. _____



FILE NAME = _____
 FILEL _____

USER NAME = #USER*	DESIGNED -	REVISED -
PLOT SCALE = #SCALE*	DRAWN -	REVISED -
PLOT DATE = #DATE*	CHECKED -	REVISED -
	DATE -	REVISED -

**STATE OF ILLINOIS
 DEPARTMENT OF TRANSPORTATION**

FAI 74 CROSS SECTIONS

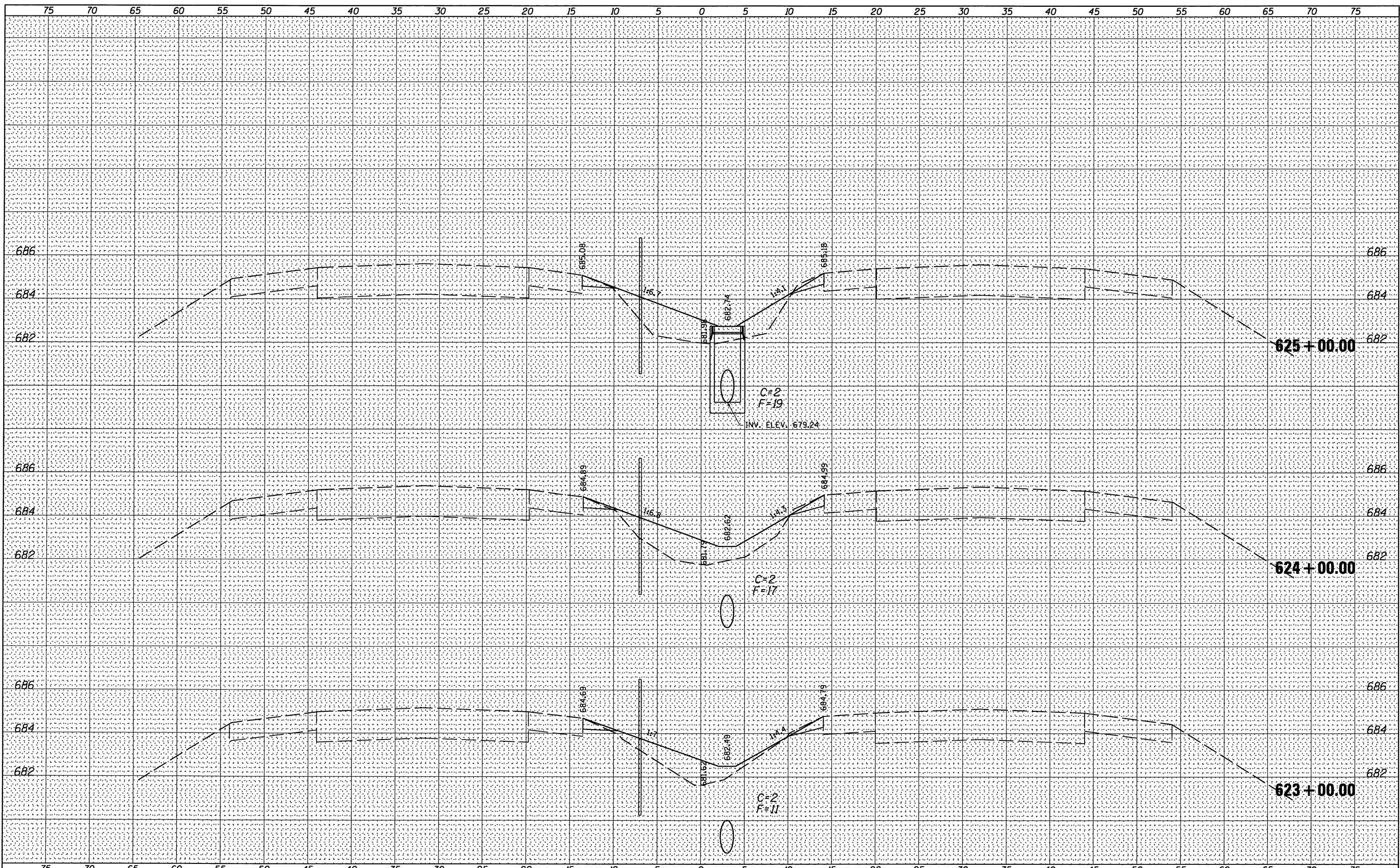
SCALE: _____ SHEET NO. 69 OF 118 SHEETS STA. 620+00.00 TO STA. 622+00.00

F.A.I. RTE.	SECTION	COUNTY	TOTAL SHEETS	SHEET NO.
74	HSIP FY2012-1	CHAMPAIGN	160	111
			CONTRACT NO.	70956

[ILLINOIS] FED. AID PROJECT

FINAL SURVEY	DATE
PLOTTED	
NOTE BOOK	
AREAS CHECKED	
NO.	

ORIGINAL SURVEY	DATE
PLOTTED	
NOTE BOOK	
AREAS CHECKED	
NO.	



FILE NAME =
 #FILE#

USER NAME = #USER#
 DESIGNED -
 DRAWN -
 PLOT SCALE = #SCALE#
 CHECKED -
 PLOT DATE = #DATE#
 DATE -

DESIGNED -
 DRAWN -
 CHECKED -
 DATE -

REVISED -
 REVISED -
 REVISED -
 REVISED -

**STATE OF ILLINOIS
 DEPARTMENT OF TRANSPORTATION**

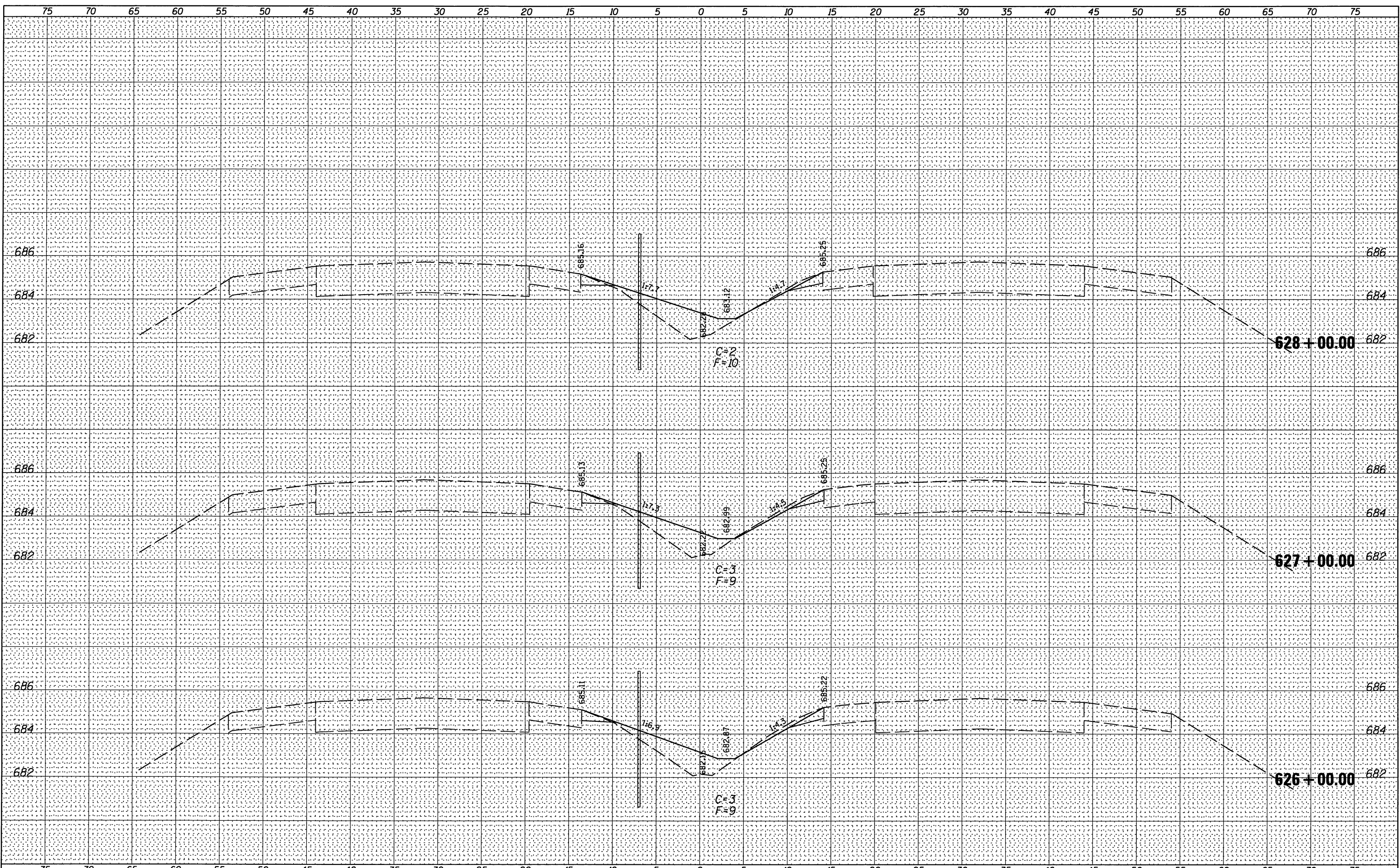
FAI 74 CROSS SECTIONS

SCALE: SHEET NO. 70 OF 118 SHEETS STA. 623+00.00 TO STA. 625+00.00

F.A.I. RTE.	SECTION	COUNTY	TOTAL SHEETS	SHEET NO.
74	HSIP FY2012-1	CHAMPAIGN	160	112
			CONTRACT NO. 70956	
ILLINOIS FED. AID PROJECT				

FINAL	DATE
SURVEY	BY
PLOTTED	
TEMPLATE	
NO. DATE	
AREAS	
CHECKED	
NO.	

ORIGINAL	DATE
SURVEY	BY
PLOTTED	
TEMPLATE	
NO. DATE	
AREAS	
CHECKED	
NO.	



FILE NAME =
#FILE#

USER NAME = #USER#
DESIGNED -
DRAWN -
PLOT SCALE = #SCALE#
CHECKED -
PLOT DATE = #DATE#
DATE -

REVISED -
REVISED -
REVISED -
REVISED -
REVISED -

**STATE OF ILLINOIS
DEPARTMENT OF TRANSPORTATION**

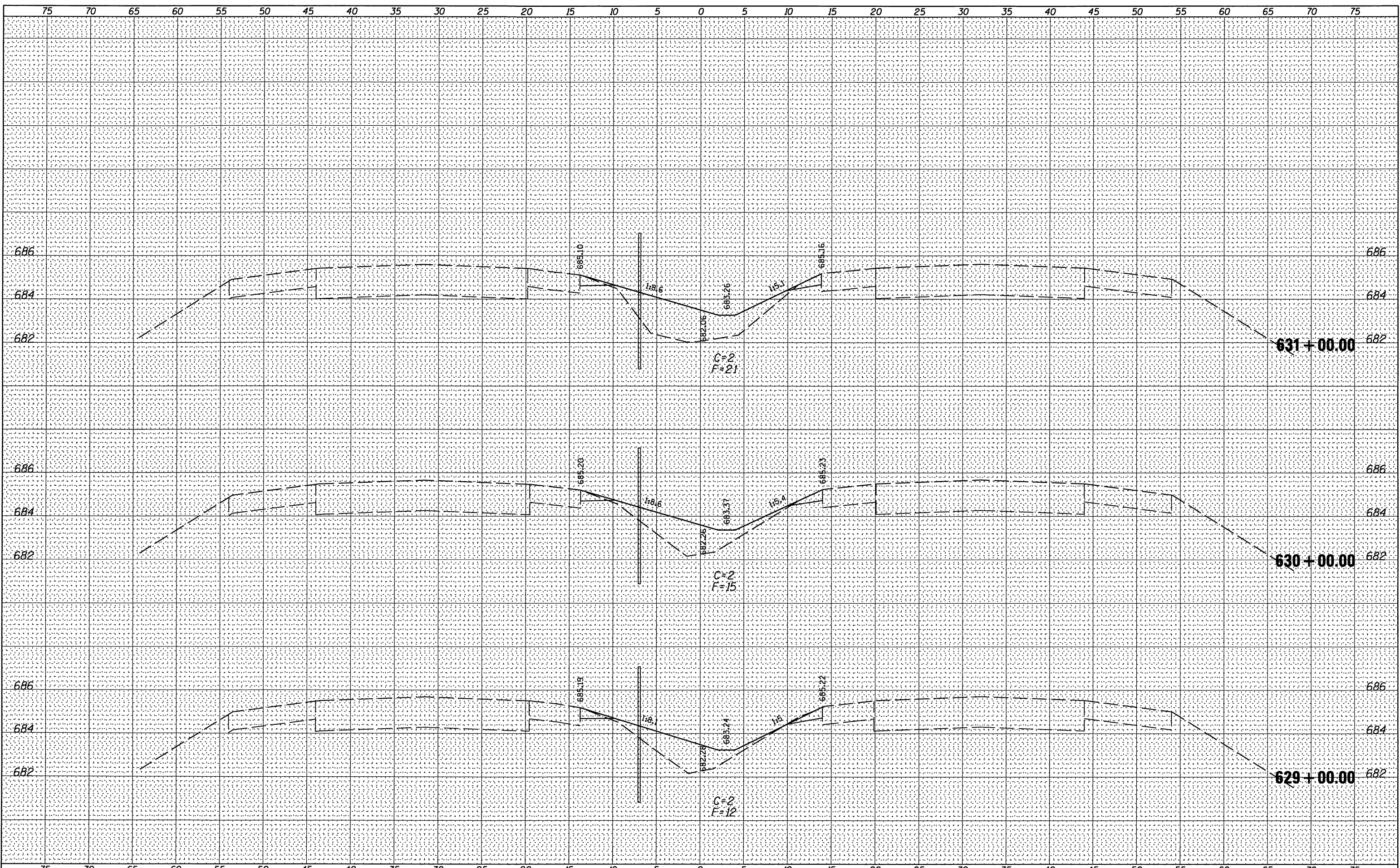
FAI 74 CROSS SECTIONS

SCALE: SHEET NO. 71 OF 118 SHEETS STA. 626+00.00 TO STA. 628+00.00

F.A.I. RTE.	SECTION	COUNTY	TOTAL SHEETS	SHEET NO.
74	HSIP FY2012-1	CHAMPAIGN	160	113
			CONTRACT NO.	70956
ILLINOIS FED. AID PROJECT				

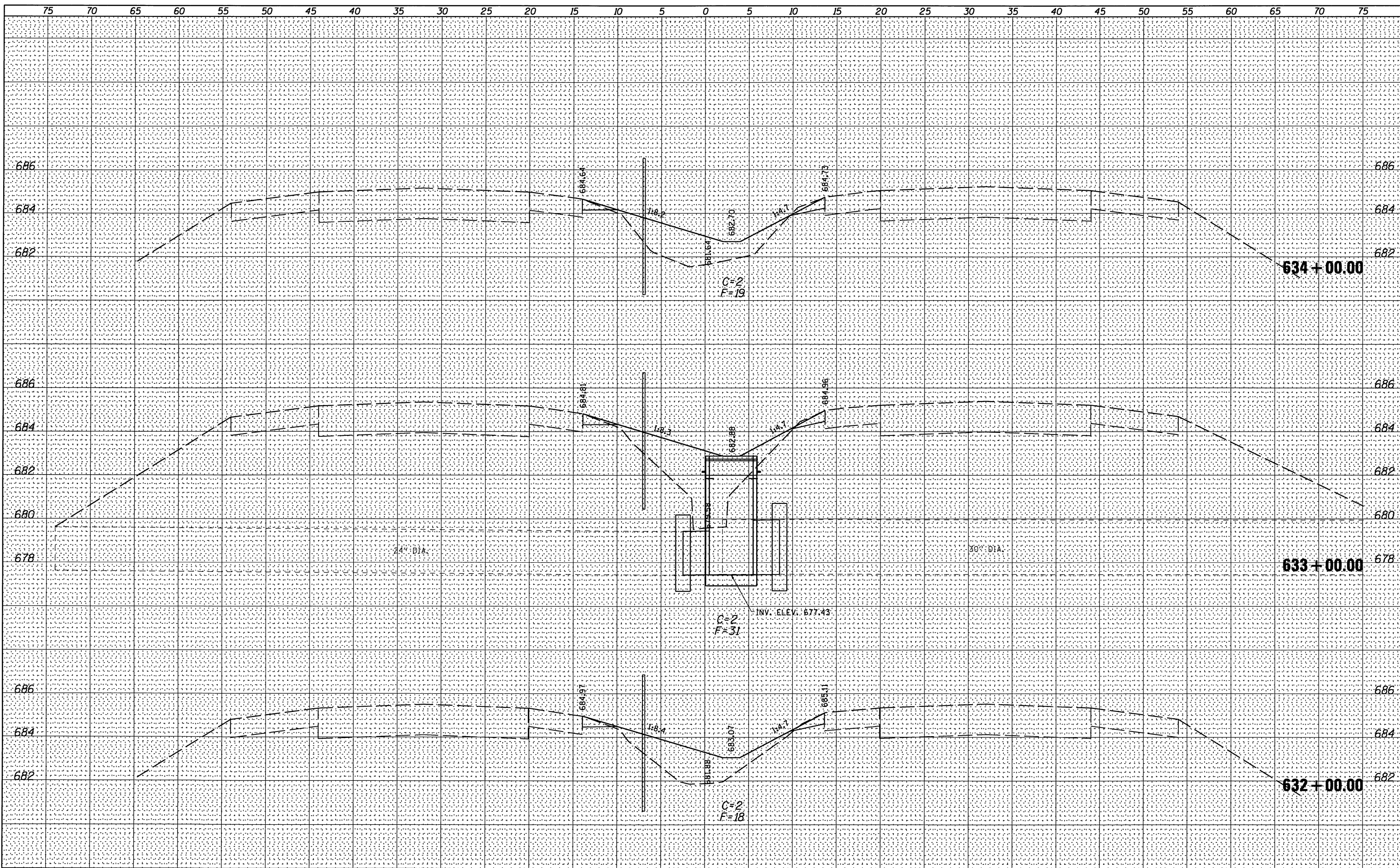
DATE	
BY	
FINAL SURVEY	
PLotted	
NOTE BOOK	
AREAS CHECKED	
NO.	

DATE	
BY	
ORIGINAL SURVEY	
PLotted	
NOTE BOOK	
AREAS CHECKED	
NO.	



FINAL SURVEY	DATE
PLOTTED	
NOTE BOOK	
AREAS CHECKED	
NO.	

ORIGINAL SURVEY	DATE
PLOTTED	
NOTE BOOK	
AREAS CHECKED	
NO.	



FILE NAME =
#FILE#

USER NAME = #USER#
DESIGNED -
DRAWN -
PLOT SCALE = #SCALE#
PLOT DATE = #DATE#

DESIGNED -
DRAWN -
CHECKED -
DATE -

REVISED -
REVISED -
REVISED -
REVISED -

**STATE OF ILLINOIS
DEPARTMENT OF TRANSPORTATION**

FAI 74 CROSS SECTIONS

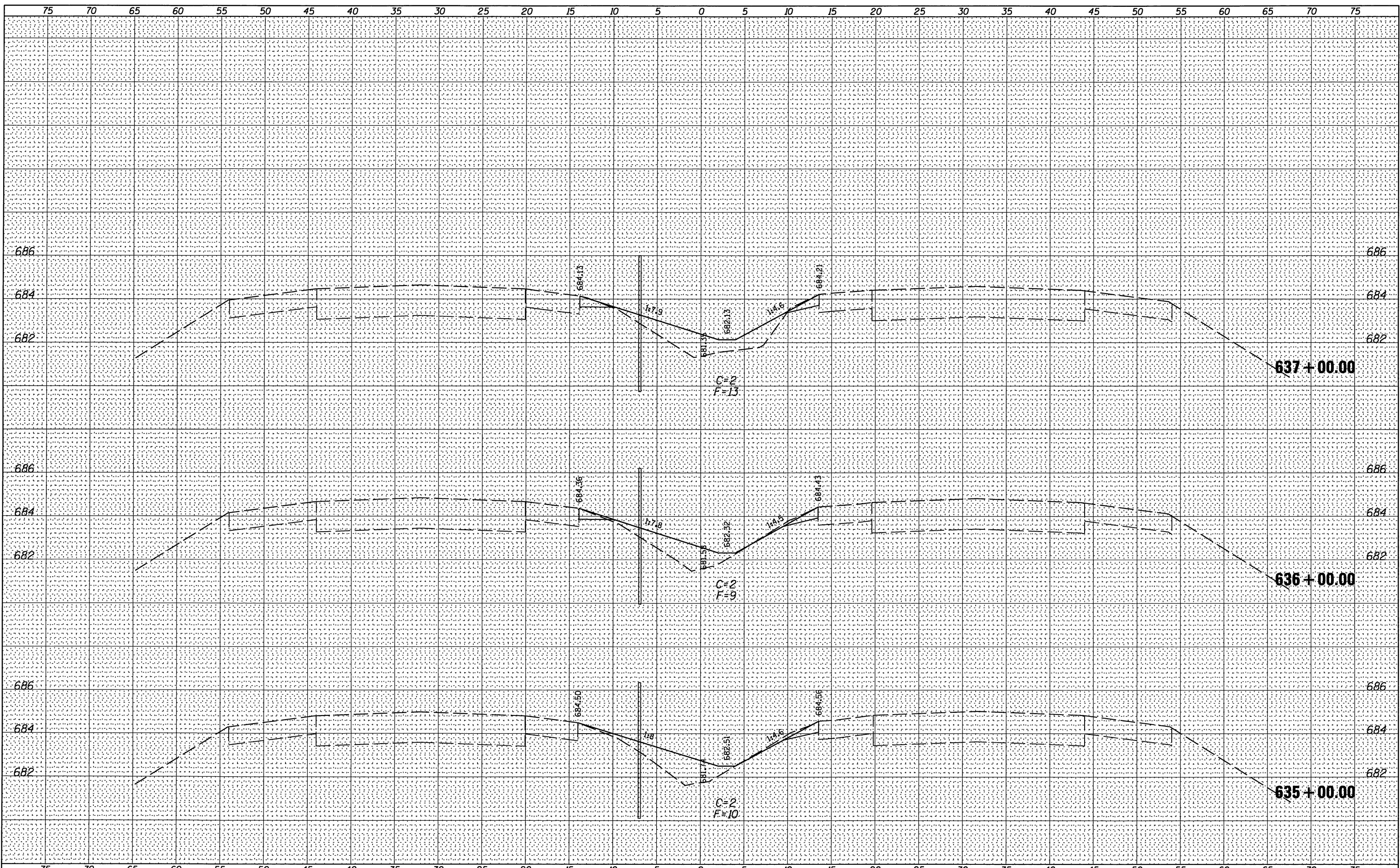
SCALE: SHEET NO. 73 OF 118 SHEETS STA. 632+00.00 TO STA. 634+00.00

F.A.I. RTE.	SECTION	COUNTY	TOTAL SHEETS	SHEET NO.
74	HSIP FY2012-1	CHAMPAIGN	160	115
			CONTRACT NO. 70956	

ILLINOIS FED. AID PROJECT

FINAL SURVEY	DATE
PLOTTED	
NOTE BOOK	
AREAS CHECKED	
NO.	

ORIGINAL SURVEY	DATE
PLOTTED	
NOTE BOOK	
AREAS CHECKED	
NO.	



FILE NAME =
#FILE#

USER NAME = #USER#
DESIGNED -
DRAWN -
PLOT SCALE = #SCALE#
CHECKED -
PLOT DATE = #DATE#
DATE -

REVISIED -
REVISIED -
REVISIED -
REVISIED -

REVISIED -
REVISIED -
REVISIED -

**STATE OF ILLINOIS
DEPARTMENT OF TRANSPORTATION**

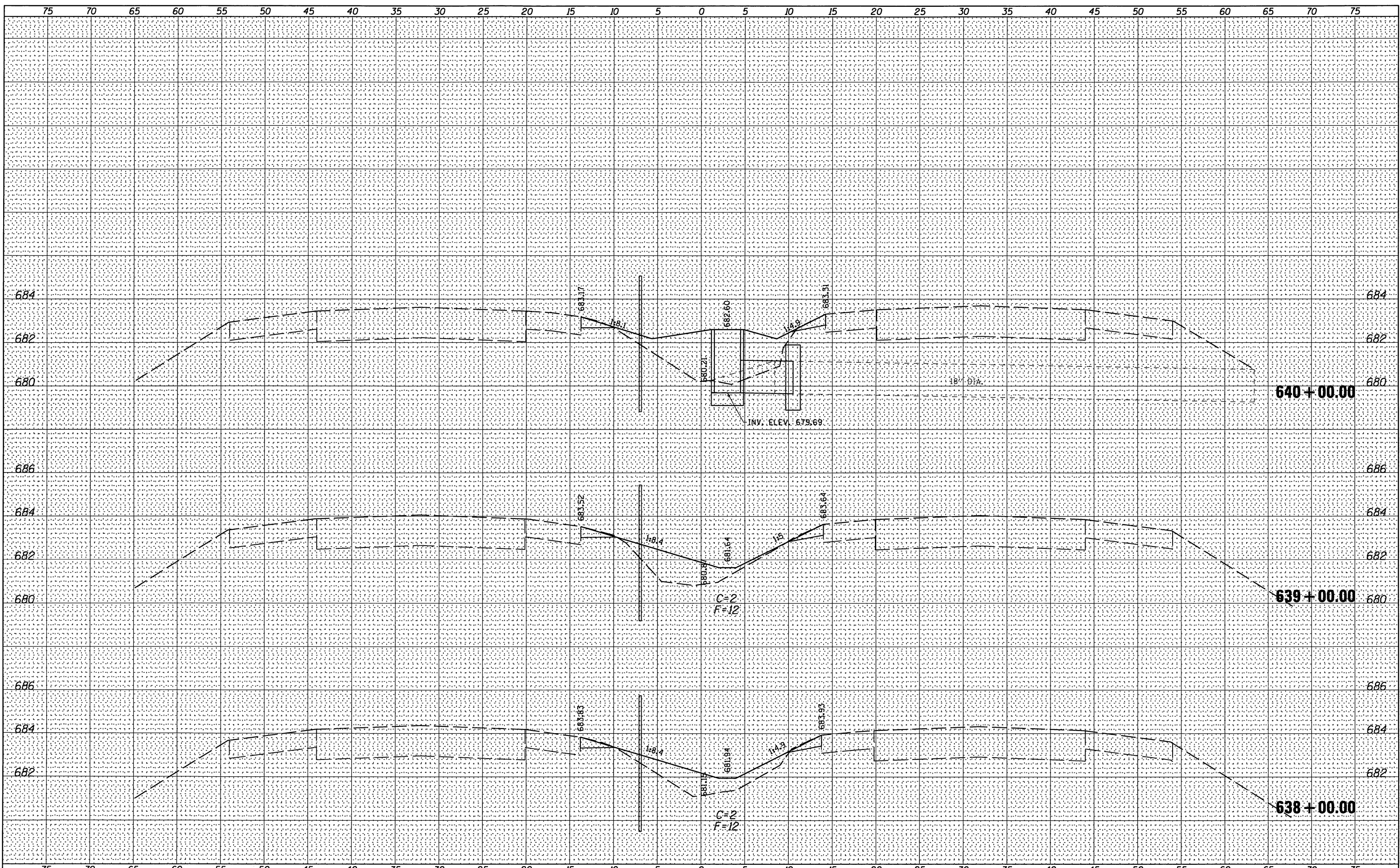
FAI 74 CROSS SECTIONS

SCALE: SHEET NO. 74 OF 118 SHEETS STA. 635+00.00 TO STA. 637+00.00

F.A. 1 RTE.	SECTION	COUNTY	TOTAL SHEETS	SHEET NO.
74	HSIP FY2012-1	CHAMPAIGN	160	116
			CONTRACT NO. 70956	
ILLINOIS FED. AID PROJECT				

FINAL SURVEY	DATE
PLOTTED	
NOTE BOOK	
AREAS CHECKED	
NO.	

ORIGINAL SURVEY	DATE
PLOTTED	
NOTE BOOK	
AREAS CHECKED	
NO.	



FILE NAME =
#FILEL#

USER NAME = #USER#
DESIGNED -
DRAWN -
PLOT SCALE = #SCALE#
CHECKED -
PLOT DATE = #DATE#
DATE -

DESIGNED -
DRAWN -
CHECKED -
DATE -

REVISED -
REVISED -
REVISED -
REVISED -

**STATE OF ILLINOIS
DEPARTMENT OF TRANSPORTATION**

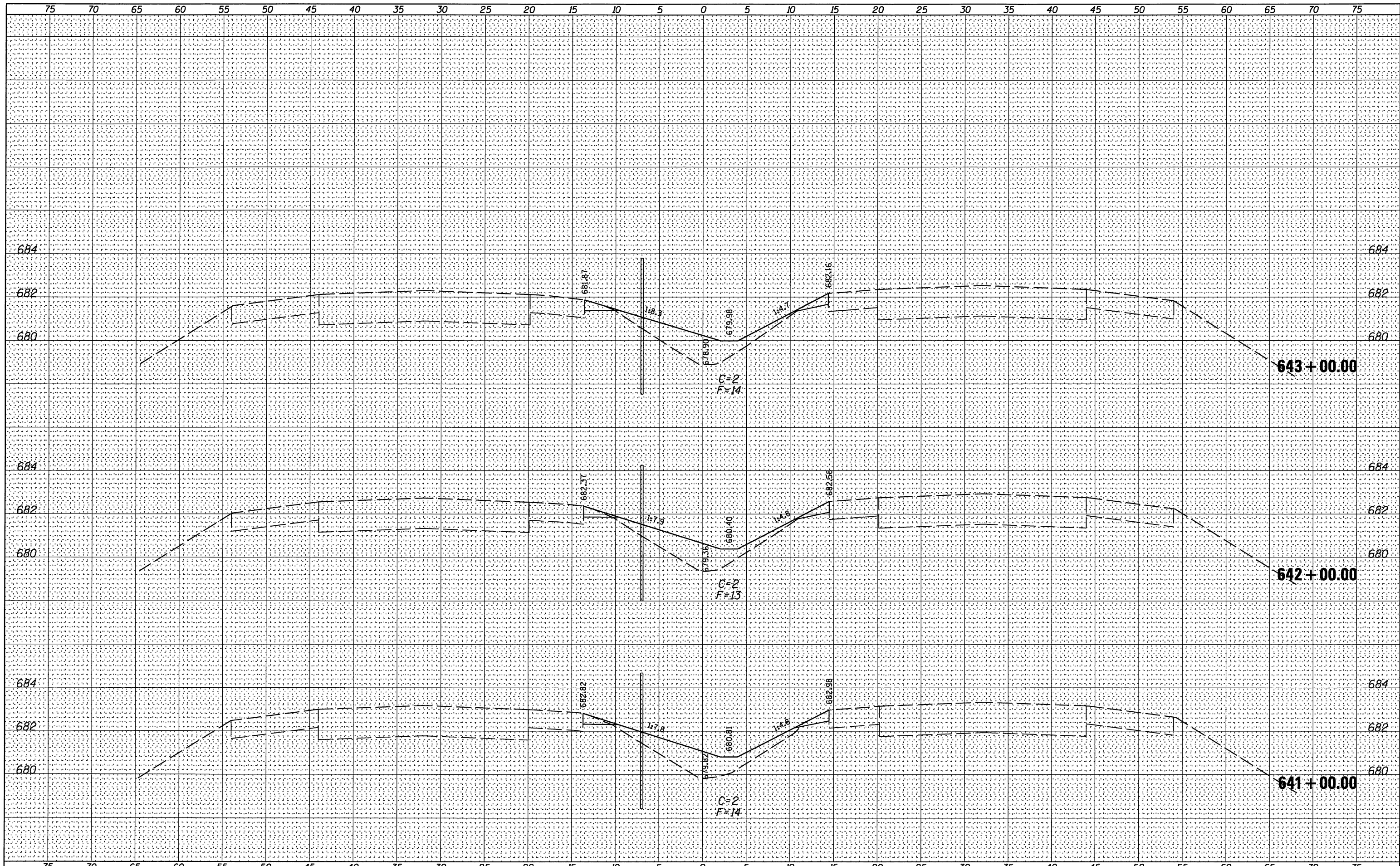
FAI 74 CROSS SECTIONS

SCALE: SHEET NO. 75 OF 118 SHEETS STA. 638+00.00 TO STA. 640+00.00

F.A.I. RTE.	SECTION	COUNTY	TOTAL SHEETS	SHEET NO.
74	HSIP FY2012-1	CHAMPAIGN	160	117
			CONTRACT NO. 70956	
ILLINOIS FED. AID PROJECT				

FINAL	DATE
SURVEY	
NOTE BOOK	
NO.	
TEMP.	
AREAS CHECKED	

ORIGINAL	DATE
SURVEY	
NOTE BOOK	
NO.	
TEMP.	
AREAS CHECKED	



FILE NAME =
#FILE#

USER NAME = #USER#
DESIGNED -
DRAWN -
CHECKED -
DATE -

REVISED -
REVISED -
REVISED -
REVISED -

**STATE OF ILLINOIS
DEPARTMENT OF TRANSPORTATION**

FAI 74 CROSS SECTIONS

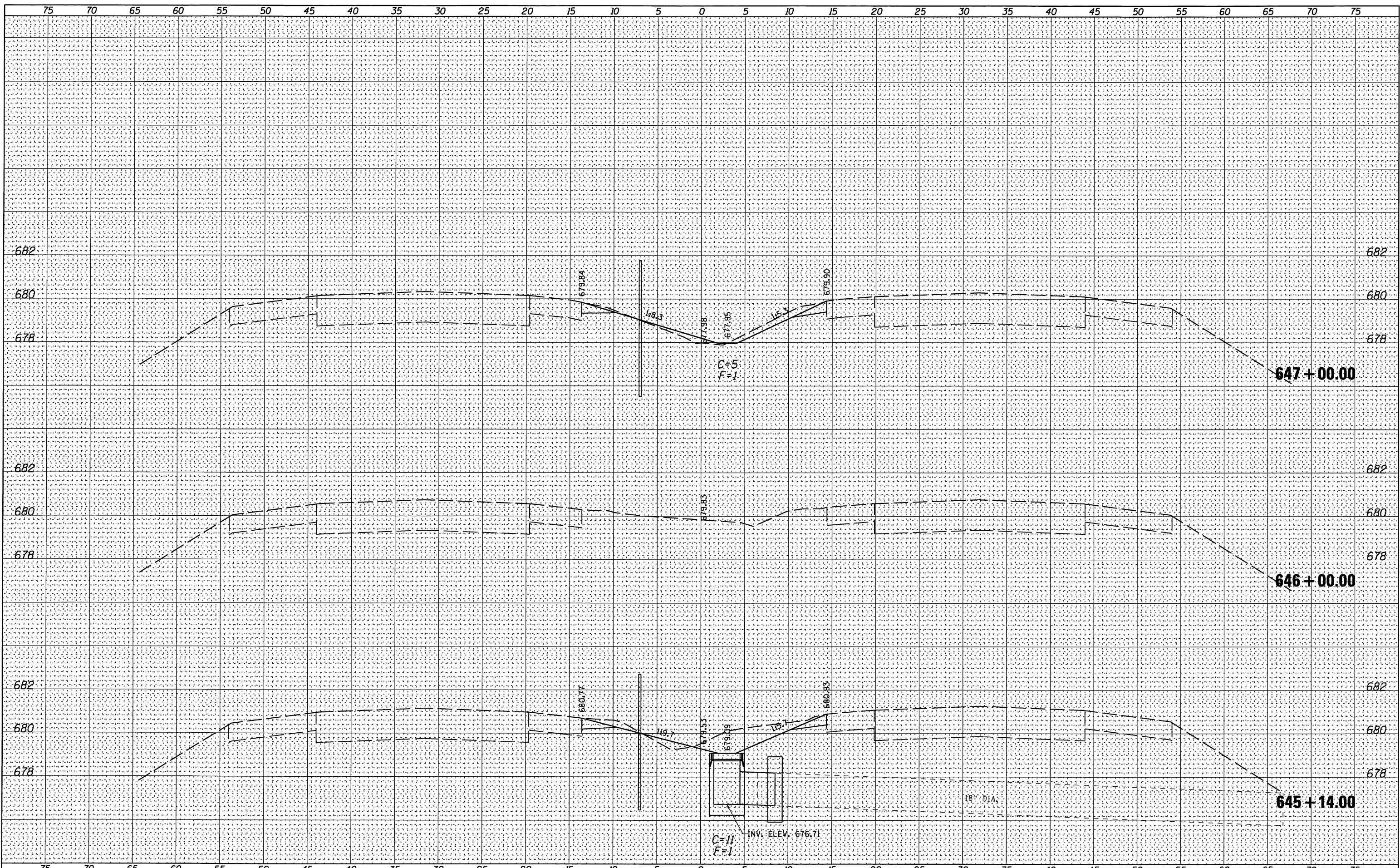
SCALE: SHEET NO. 76 OF 118 SHEETS STA. 641+00.00 TO STA. 643+00.00

F.A.I. RTE.	SECTION	COUNTY	TOTAL SHEETS	SHEET NO.
74	HSIP FY2012-1	CHAMPAIGN	160	118
CONTRACT NO. 70956				

ILLINOIS FED. AID PROJECT

FINAL SURVEY	DATE
PLOTTED	
NOTE BOOK	
AREAS CHECKED	
NO.	

ORIGINAL SURVEY	DATE
PLOTTED	
NOTE BOOK	
AREAS CHECKED	
NO.	



FILE NAME =
#FILE#

USER NAME = #USER#
DESIGNED -
DRAWN -
PLOT SCALE = #SCALE#
PLOT DATE = #DATE#

DESIGNED -
DRAWN -
CHECKED -
DATE -

REVISED -
REVISED -
REVISED -
REVISED -

**STATE OF ILLINOIS
DEPARTMENT OF TRANSPORTATION**

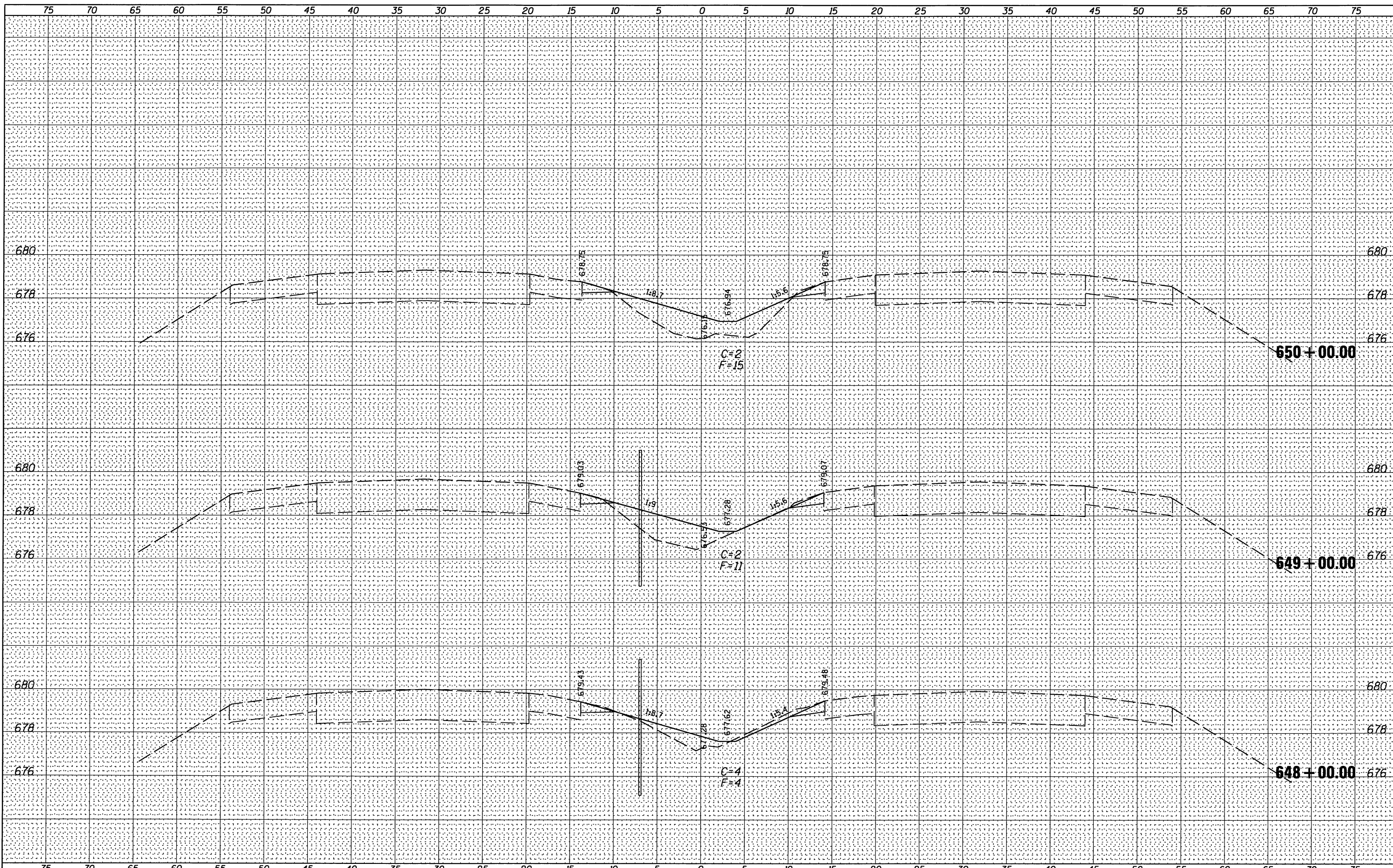
FAI 74 CROSS SECTIONS

SCALE: SHEET NO. 78 OF 118 SHEETS STA. 645+14.00 TO STA. 647+00.00

F.A.I. RTE.	SECTION	COUNTY	TOTAL SHEETS	SHEET NO.
74	HSIP FY2012-1	CHAMPAIGN	160	120
			CONTRACT NO. 70956	
ILLINOIS FED. AID PROJECT				

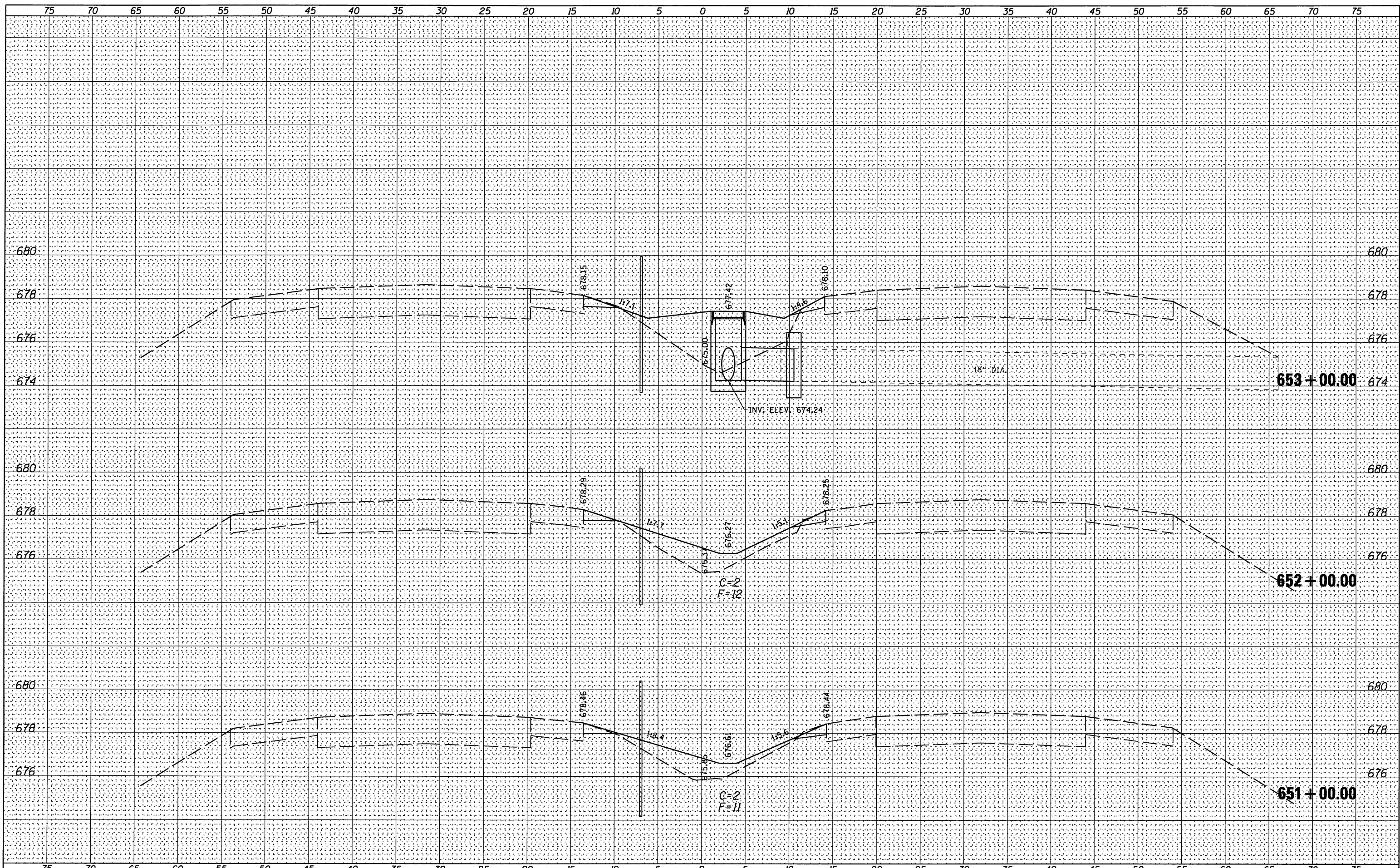
BY	DATE
SURVEYED	
PLOTTED	
DATE	
NO.	

BY	DATE
SURVEYED	
PLOTTED	
DATE	
NO.	



FINAL SURVEY	DATE
SURVEYED	BY
PLOTTED	
NOTE BOOK	
NO.	
AREAS CHECKED	

ORIGINAL SURVEY	DATE
SURVEYED	BY
PLOTTED	
NOTE BOOK	
NO.	
AREAS CHECKED	



FILE NAME =
#FILE#

USER NAME = #USER#
DESIGNED -
DRAWN -
CHECKED -
DATE -

REVISIED -
REVISIED -
REVISIED -
REVISIED -

DESIGNED -
DRAWN -
CHECKED -
DATE -

**STATE OF ILLINOIS
DEPARTMENT OF TRANSPORTATION**

FAI 74 CROSS SECTIONS

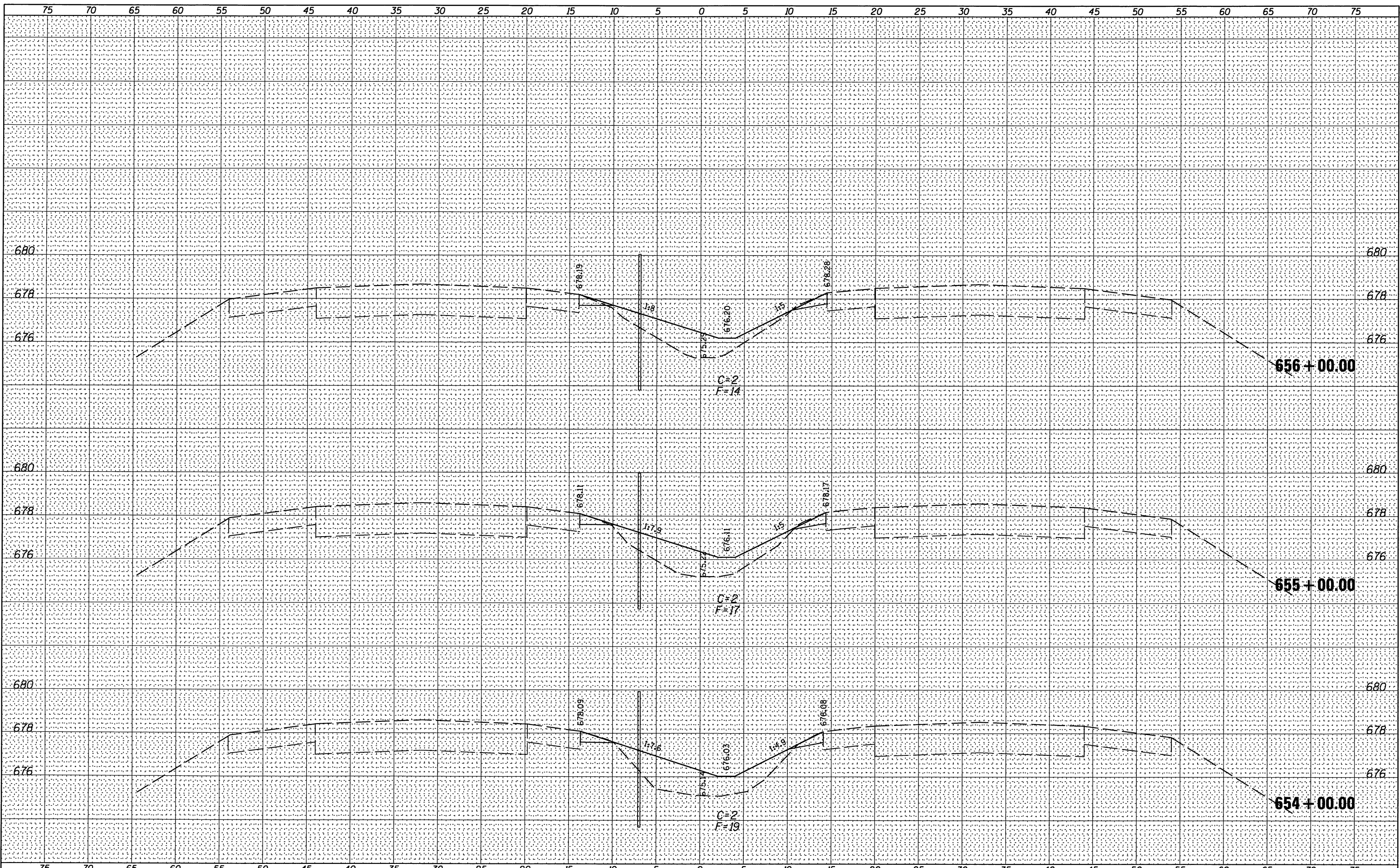
SCALE: SHEET NO. 80 OF 118 SHEETS STA. 651+00.00 TO STA. 653+00.00

F.A.I. RTE.	SECTION	COUNTY	TOTAL SHEETS	SHEET NO.
74	HSIP FY2012-1	CHAMPAIGN	160	122
			CONTRACT NO.	70956

ILLINOIS FED. AID PROJECT

DATE	
BY	
FINAL SURVEY	
PLOTTED	
NOTE BOOK	
AREAS CHECKED	
AREAS CHECKED	
NO.	

DATE	
BY	
ORIGINAL SURVEY	
PLOTTED	
NOTE BOOK	
AREAS CHECKED	
AREAS CHECKED	
NO.	



FILE NAME =
 #FILE#

USER NAME = #USER#	DESIGNED -	REVISED -
	DRAWN -	REVISED -
PLOT SCALE = #SCALE#	CHECKED -	REVISED -
PLOT DATE = #DATE#	DATE -	REVISED -

**STATE OF ILLINOIS
 DEPARTMENT OF TRANSPORTATION**

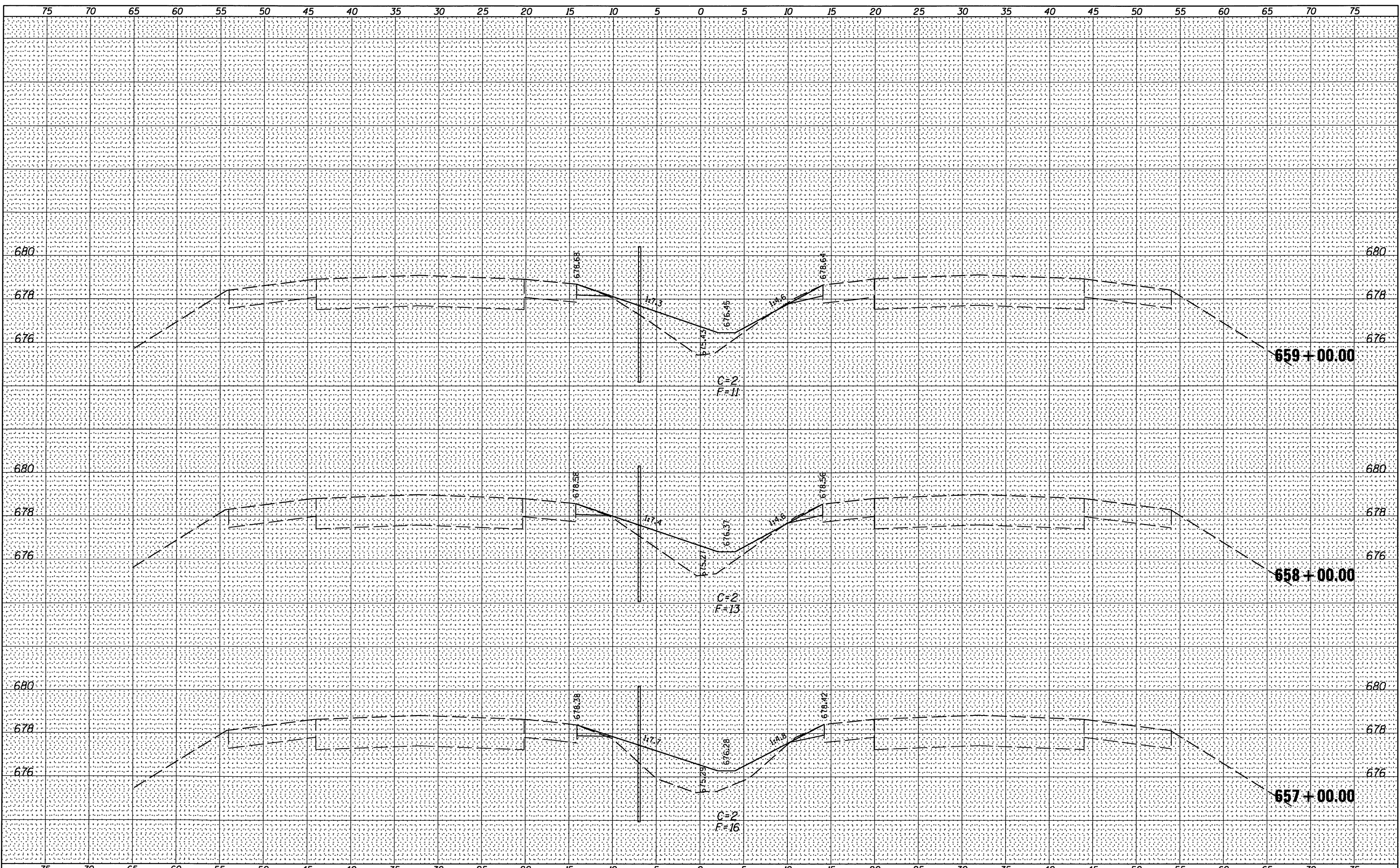
FAI 74 CROSS SECTIONS

SCALE: SHEET NO. 81 OF 118 SHEETS STA. 654+00.00 TO STA. 656+00.00

F.A.I. RTE.	SECTION	COUNTY	TOTAL SHEETS	SHEET NO.
74	HSIP FY2012-1	CHAMPAIGN	160	123
			CONTRACT NO.	70956
ILLINOIS FED. AID PROJECT				

BY	DATE
SURVEYED	
PLOTTED	
NOTE BOOK	
AREAS CHECKED	
NO.	

BY	DATE
SURVEYED	
PLOTTED	
NOTE BOOK	
AREAS CHECKED	
NO.	



FILE NAME =
#FILE#

USER NAME = #USER#	DESIGNED -	REVISED -
	DRAWN -	REVISED -
PLOT SCALE = #SCALE#	CHECKED -	REVISED -
PLOT DATE = #DATE#	DATE -	REVISED -

**STATE OF ILLINOIS
DEPARTMENT OF TRANSPORTATION**

FAI 74 CROSS SECTIONS

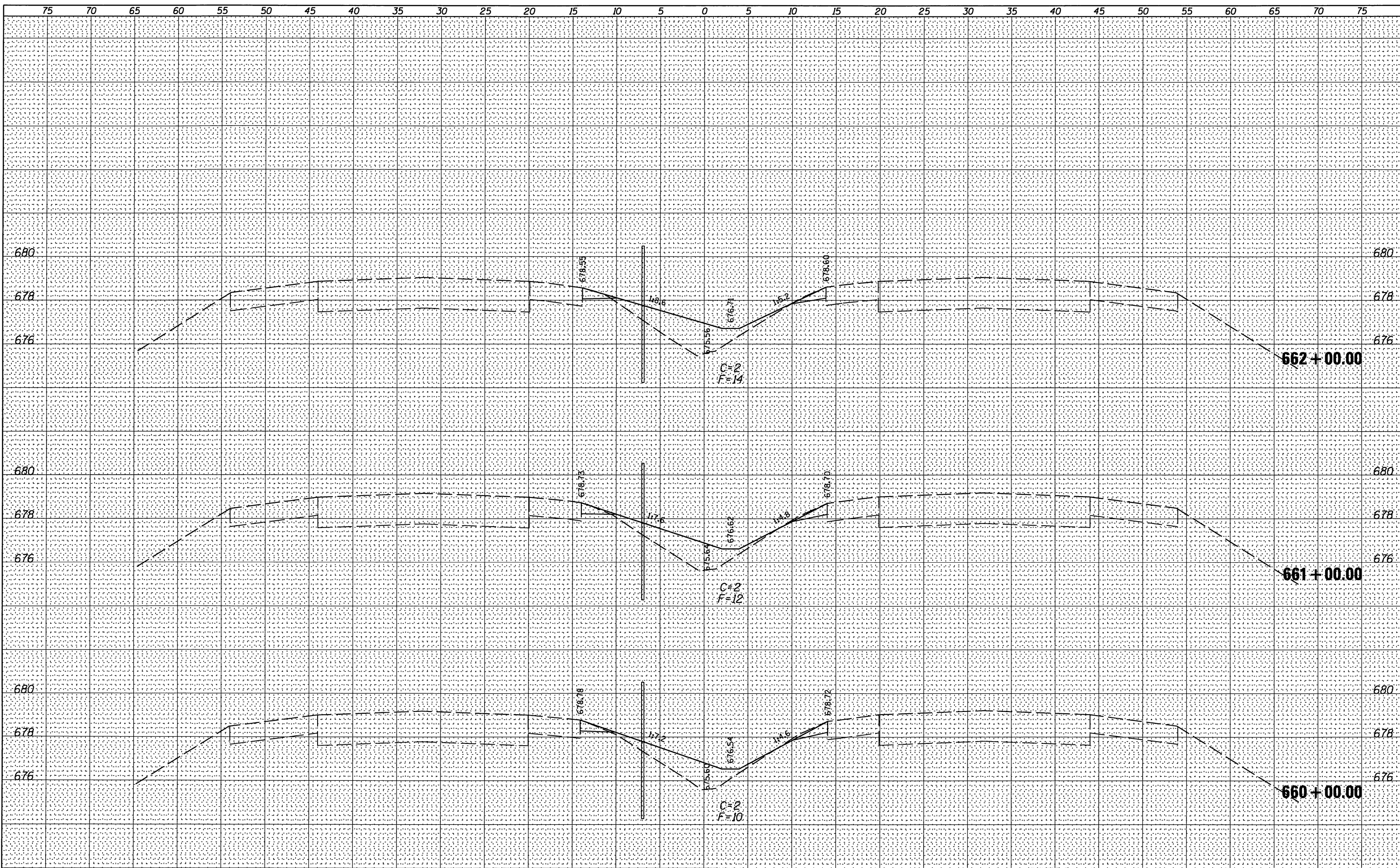
SCALE: SHEET NO. 82 OF 118 SHEETS STA. 657+00.00 TO STA. 659+00.00

F.A.I. RTE.	SECTION	COUNTY	TOTAL SHEETS	SHEET NO.
74	HSIP FY2012-1	CHAMPAIGN	160	124
			CONTRACT NO.	70956

ILLINOIS FED. AID PROJECT

BY: _____ DATE: _____
 SURVEYED: _____
 PLOTTED: _____
 NOTE BOOK: _____
 AREAS CHECKED: _____
 NO. _____

BY: _____ DATE: _____
 SURVEYED: _____
 PLOTTED: _____
 NOTE BOOK: _____
 AREAS CHECKED: _____
 NO. _____



FILE NAME = _____
 #FILE# _____

USER NAME = #USER#
 PLOT SCALE = #SCALE#
 PLOT DATE = #DATE#

DESIGNED -
 DRAWN -
 CHECKED -
 DATE -

REVISED -
 REVISED -
 REVISED -
 REVISED -

**STATE OF ILLINOIS
 DEPARTMENT OF TRANSPORTATION**

FAI 74 CROSS SECTIONS

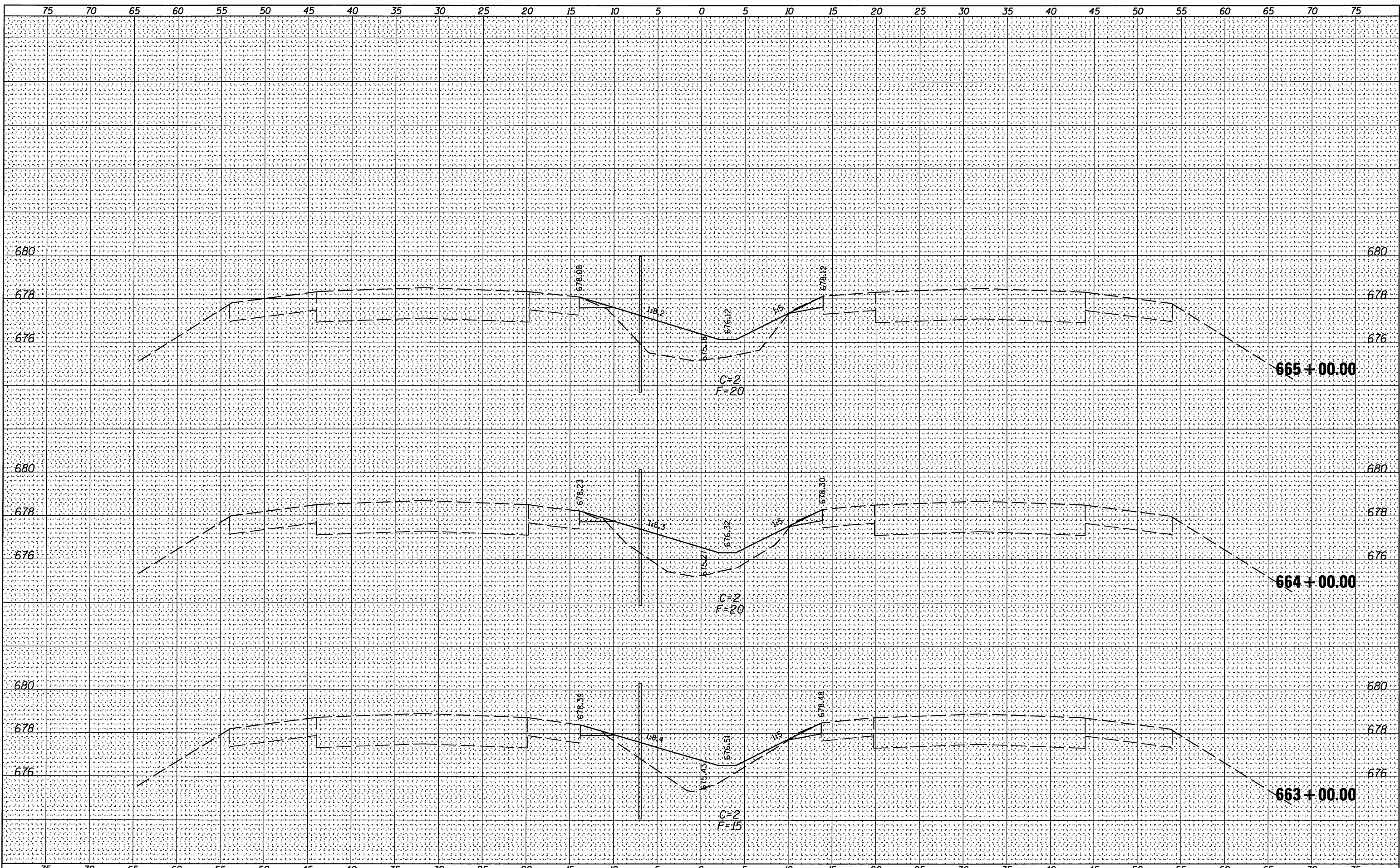
SCALE: _____ SHEET NO. 83 OF 118 SHEETS STA. 660+00.00 TO STA. 662+00.00

F.A.I. RTE.	SECTION	COUNTY	TOTAL SHEETS	SHEET NO.
74	HSIP FY2012-1	CHAMPAIGN	160	125
CONTRACT NO. 70956				

ILLINOIS FED. AID PROJECT

FINAL SURVEY	DATE
PLOTTED	
NOTE BOOK	
AREAS CHECKED	
NO.	

ORIGINAL SURVEY	DATE
PLOTTED	
NOTE BOOK	
AREAS CHECKED	
NO.	



FILE NAME =
#FILE#

USER NAME = #USER#	DESIGNED -	REVISED -
	DRAWN -	REVISED -
PLOT SCALE = #SCALE#	CHECKED -	REVISED -
PLOT DATE = #DATE#	DATE -	REVISED -

**STATE OF ILLINOIS
DEPARTMENT OF TRANSPORTATION**

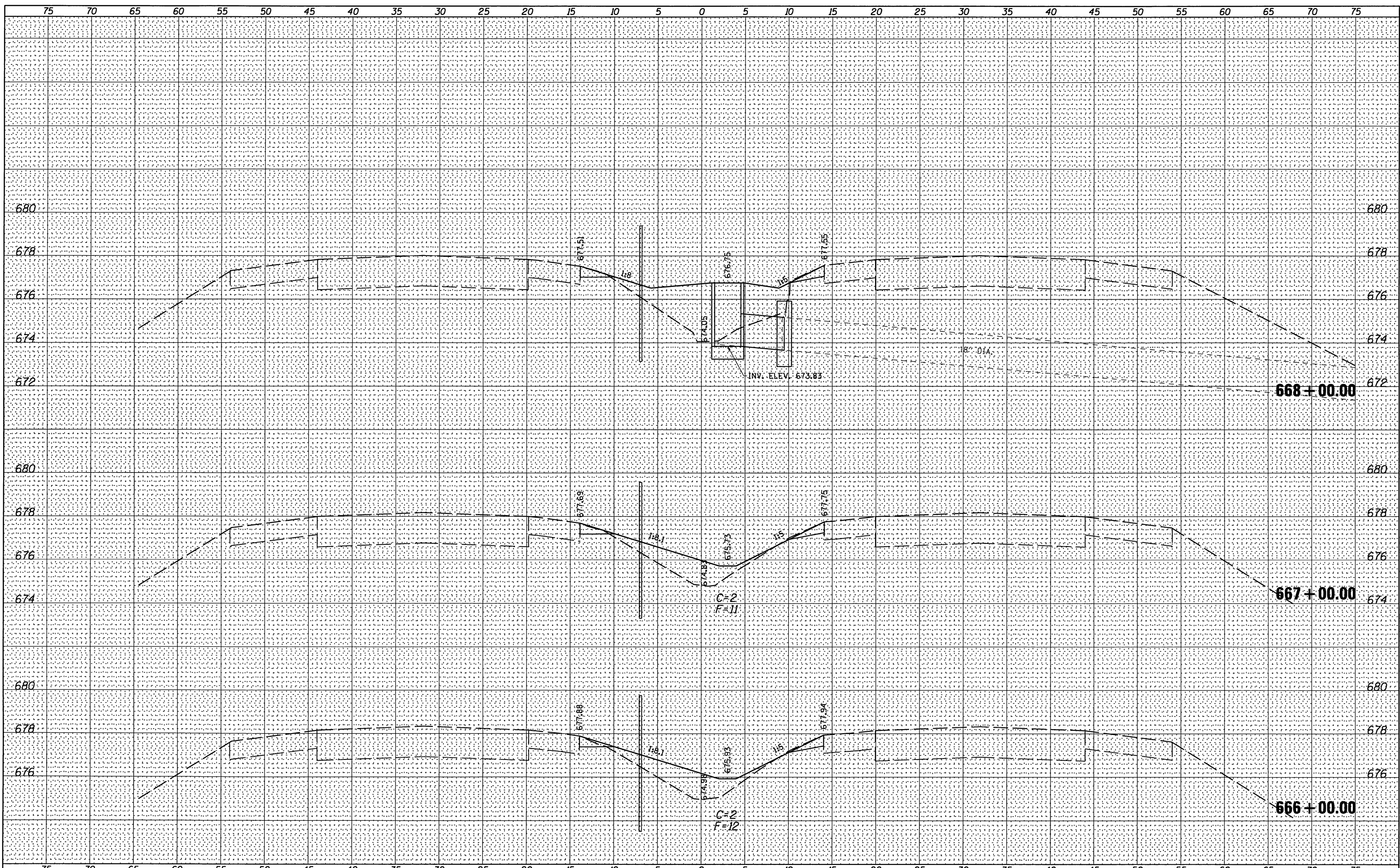
FAI 74 CROSS SECTIONS

SCALE: SHEET NO. 84 OF 118 SHEETS STA. 663+00.00 TO STA. 665+00.00

F.A.I. RTE.	SECTION	COUNTY	TOTAL SHEETS	SHEET NO.
74	HSIP FY2012-1	CHAMPAIGN	160	126
			CONTRACT NO. 70956	
ILLINOIS FED. AID PROJECT				

BY	DATE
SURVEYED	
PLOTTED	
NOTE BOOK	
AREAS	
CHECKED	
NO.	

BY	DATE
SURVEYED	
PLOTTED	
NOTE BOOK	
AREAS	
CHECKED	
NO.	



FILE NAME =
#FILEL#

USER NAME = #USER#
DESIGNED -
DRAWN -
PLOT SCALE = #SCALE#
CHECKED -
PLOT DATE = #DATE#
DATE -

DESIGNED -
DRAWN -
CHECKED -
DATE -

REVISED -
REVISED -
REVISED -
REVISED -

**STATE OF ILLINOIS
DEPARTMENT OF TRANSPORTATION**

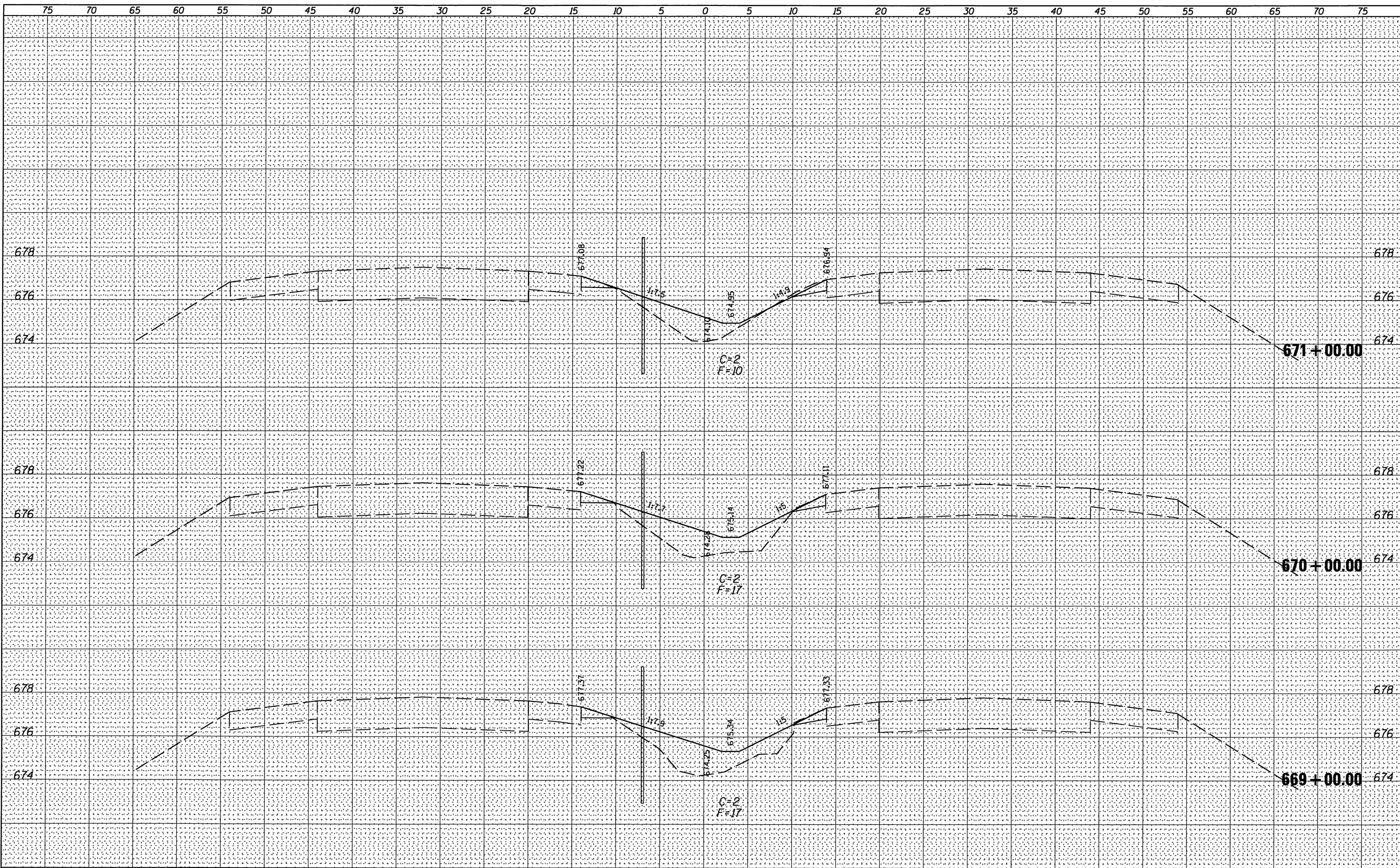
FAI 74 CROSS SECTIONS

SCALE: SHEET NO. 85 OF 118 SHEETS STA. 666+00.00 TO STA. 668+00.00

F.A. 1 RTE.	SECTION	COUNTY	TOTAL SHEETS	SHEET NO.
74	HSIP FY2012-1	CHAMPAIGN	160	127
			CONTRACT NO. 70956	
ILLINOIS FED. AID PROJECT				

DATE	
BY	
FINAL SURVEY	
PLotted	
NOTE BOOK	
AREAS CHECKED	
NO.	

DATE	
BY	
ORIGINAL SURVEY	
PLotted	
NOTE BOOK	
AREAS CHECKED	
NO.	



FILE NAME =
#FILE#

USER NAME = #USER#	DESIGNED -	REVISED -
	DRAWN -	REVISED -
PLOT SCALE = #SCALE#	CHECKED -	REVISED -
PLOT DATE = #DATE#	DATE -	REVISED -

**STATE OF ILLINOIS
DEPARTMENT OF TRANSPORTATION**

FAI 74 CROSS SECTIONS

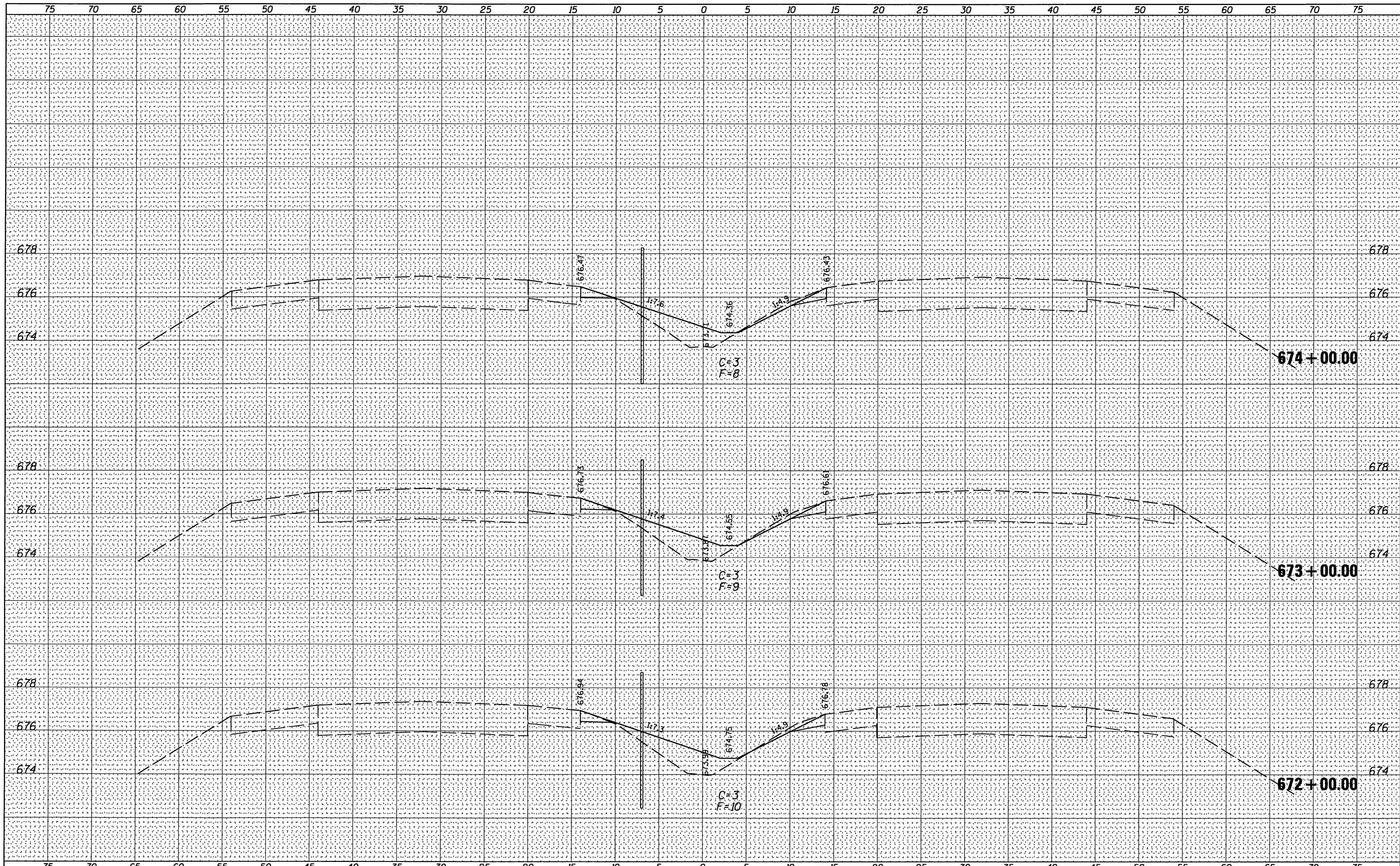
SCALE: SHEET NO. 86 OF 118 SHEETS STA. 669+00.00 TO STA. 671+00.00

F.A.I. RTE.	SECTION	COUNTY	TOTAL SHEETS	SHEET NO.
74	HSIP FY2012-1	CHAMPAIGN	160	128
			CONTRACT NO.	70956

ILLINOIS FED. AID PROJECT

BY _____ DATE _____
 SURVEYED _____
 CHECKED _____
 TEMPLATE _____
 AREAS CHECKED _____
 ORIGINAL SURVEY NOTE BOOK NO. _____

BY _____ DATE _____
 SURVEYED _____
 CHECKED _____
 TEMPLATE _____
 AREAS CHECKED _____
 ORIGINAL SURVEY NOTE BOOK NO. _____



FILE NAME = _____
 #FILE# _____

USER NAME = #USER#	DESIGNED -	REVISED -
	DRAWN -	REVISED -
PLOT SCALE = #SCALE#	CHECKED -	REVISED -
PLOT DATE = #DATE#	DATE -	REVISED -

**STATE OF ILLINOIS
 DEPARTMENT OF TRANSPORTATION**

FAI 74 CROSS SECTIONS

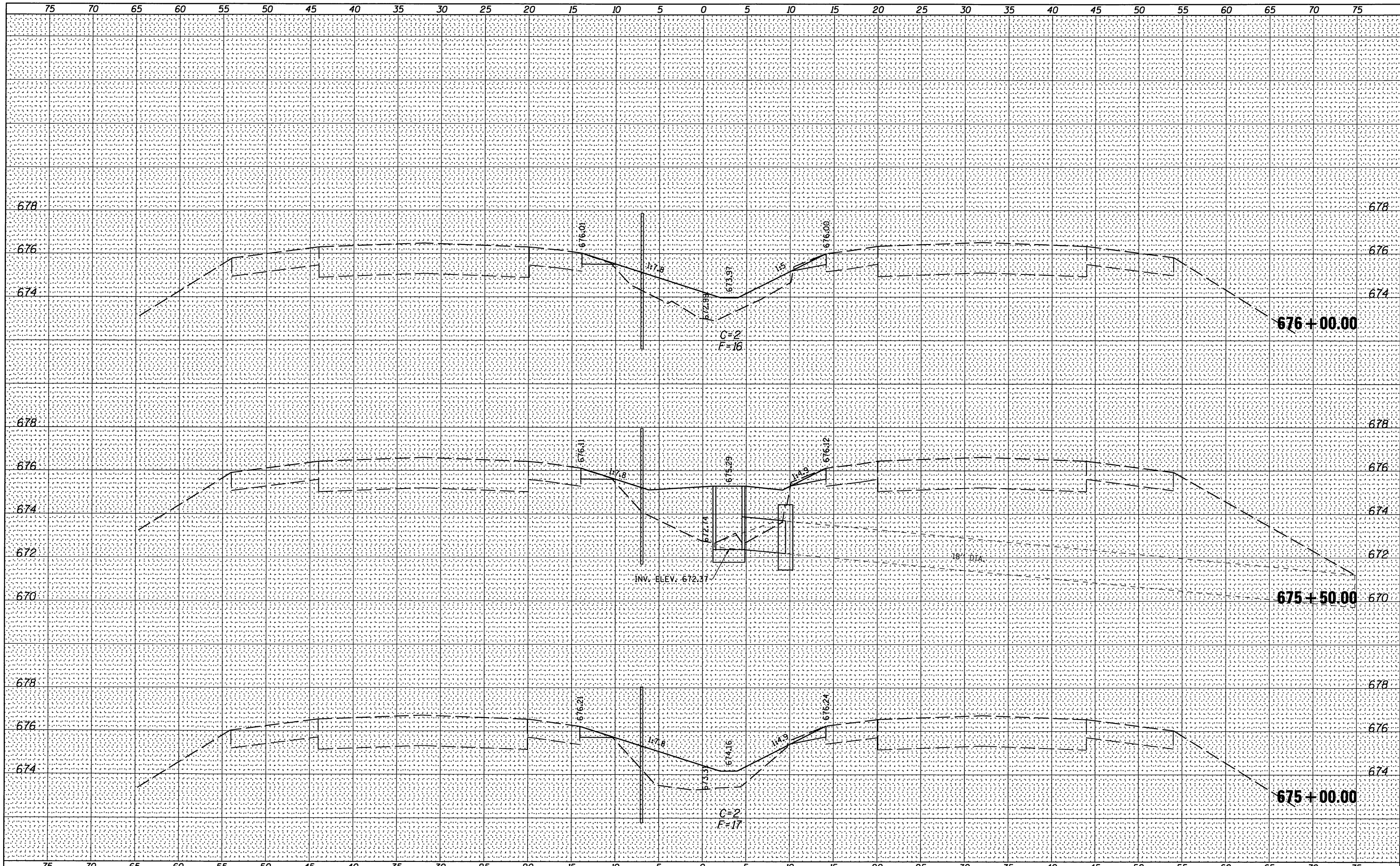
SCALE: SHEET NO. 87 OF 118 SHEETS STA. 672+00.00 TO STA. 674+00.00

F.A.I. RTE.	SECTION	COUNTY	TOTAL SHEETS	SHEET NO.
74	HSIP FY2012-1	CHAMPAIGN	160	129
			CONTRACT NO.	70956

ILLINOIS FED. AID PROJECT

BY: _____ DATE: _____
 SURVEYED _____
 CHECKED _____
 ORIGINAL SURVEY _____
 NOTE BOOK _____
 TEMPLATE _____
 AREAS CHECKED _____
 NO. _____

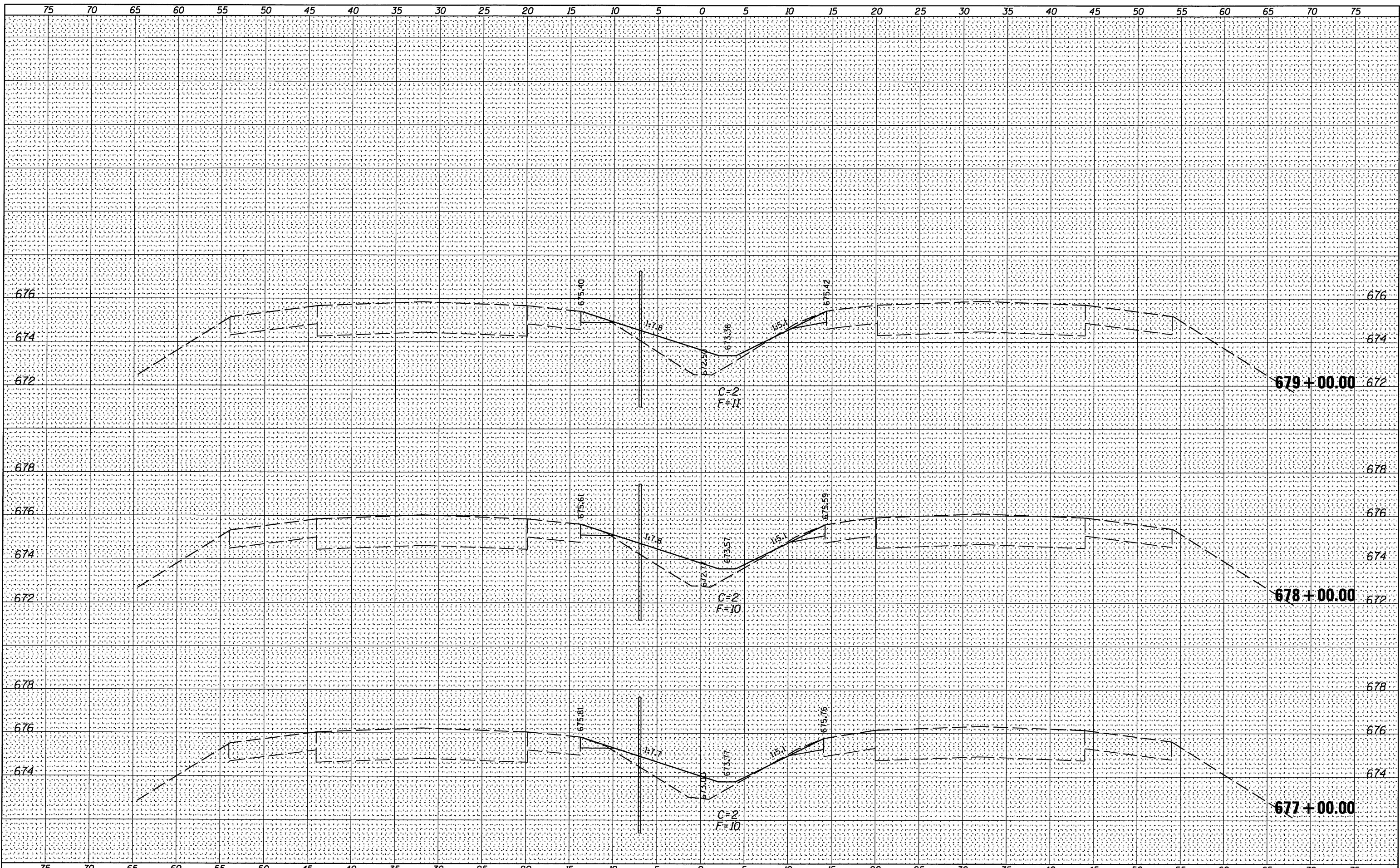
BY: _____ DATE: _____
 SURVEYED _____
 CHECKED _____
 ORIGINAL SURVEY _____
 NOTE BOOK _____
 TEMPLATE _____
 AREAS CHECKED _____
 NO. _____



FILE NAME =	USER NAME = #USER#	DESIGNED -	REVISED -	STATE OF ILLINOIS DEPARTMENT OF TRANSPORTATION	FAI 74 CROSS SECTIONS			F.A.I. RTE.	SECTION	COUNTY	TOTAL SHEETS	SHEET NO.
*FILE#		DRAWN -	REVISED -					74	HSIP FY2012-1	CHAMPAIGN	160	130
		CHECKED -	REVISED -					CONTRACT NO. 70956				
		DATE -	REVISED -					ILLINOIS FED. AID PROJECT				
PLOT SCALE = #SCALE#					SCALE:	SHEET NO. 88 OF 118 SHEETS	STA. 675+00.00 TO STA. 676+00.00					
PLOT DATE = #DATE#												

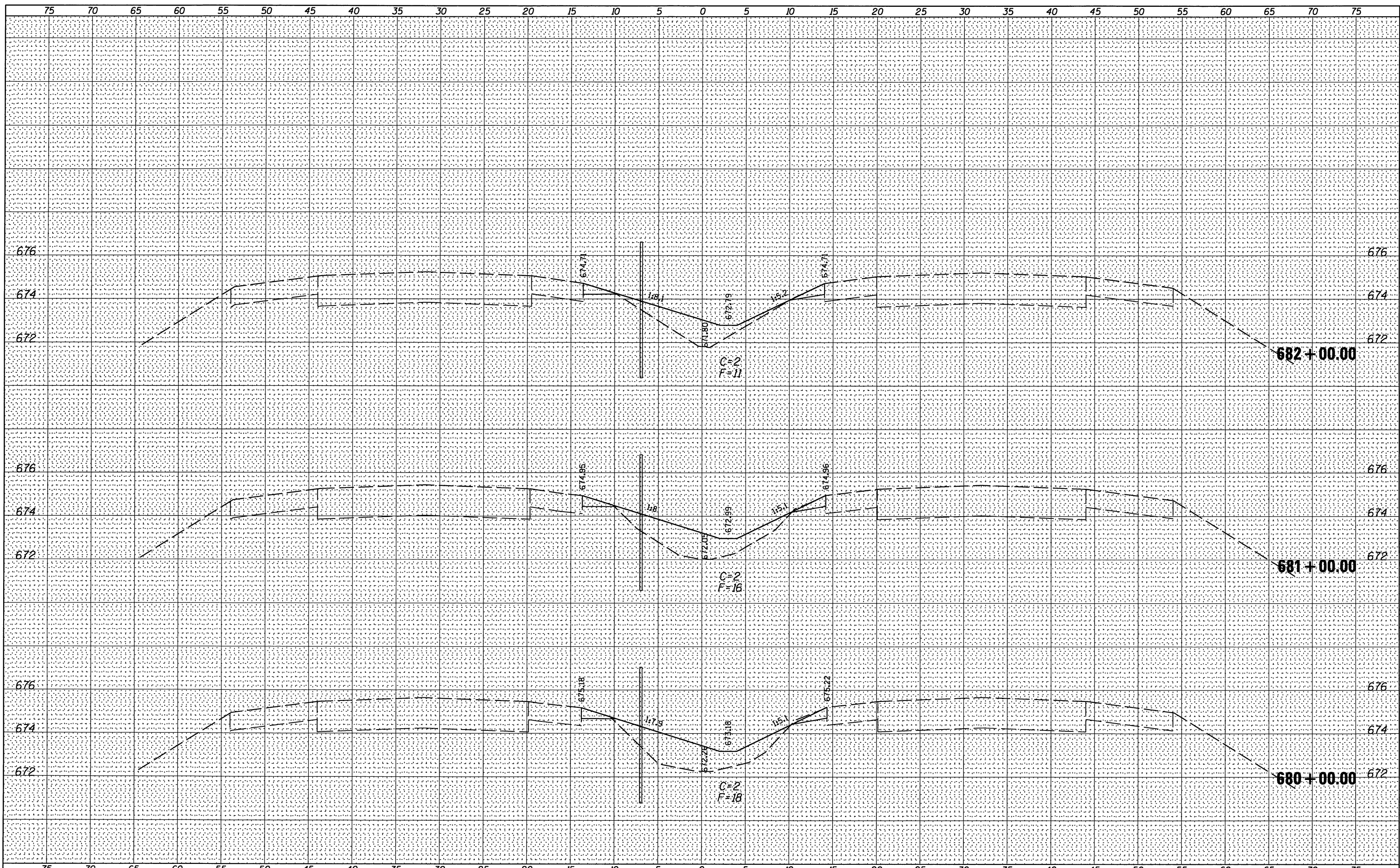
FINAL SURVEY	DATE
PLOTTED	
NOTE BOOK	
NO.	

ORIGINAL SURVEY	DATE
PLOTTED	
NOTE BOOK	
NO.	



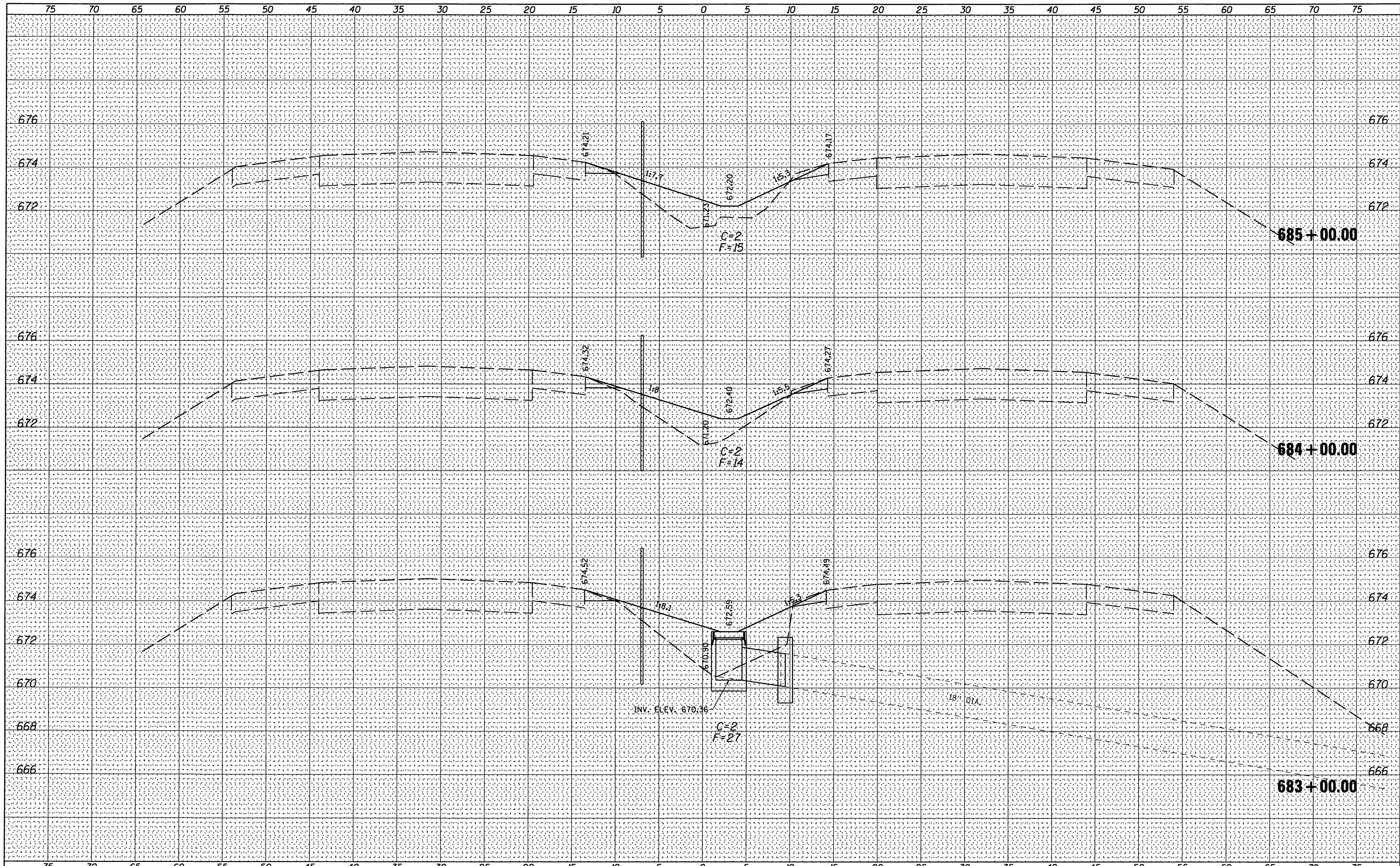
DATE	
BY	
FINAL SURVEY	
SURVEYED	
PLOTTED	
NOTE BOOK	
AREAS CHECKED	
NO.	

DATE	
BY	
ORIGINAL SURVEY	
SURVEYED	
PLOTTED	
NOTE BOOK	
AREAS CHECKED	
NO.	



DATE	
BY	
SURVEYED	
PLotted	
TEMPLATE	
AREAS CHECKED	
NO.	

DATE	
BY	
SURVEYED	
PLotted	
TEMPLATE	
AREAS CHECKED	
NO.	



FILE NAME =
#FILE#

USER NAME = #USER#
PLOT SCALE = #SCALE#
PLOT DATE = #DATE#

DESIGNED -
DRAWN -
CHECKED -
DATE -

REVISED -
REVISED -
REVISED -
REVISED -

**STATE OF ILLINOIS
DEPARTMENT OF TRANSPORTATION**

FAI 74 CROSS SECTIONS

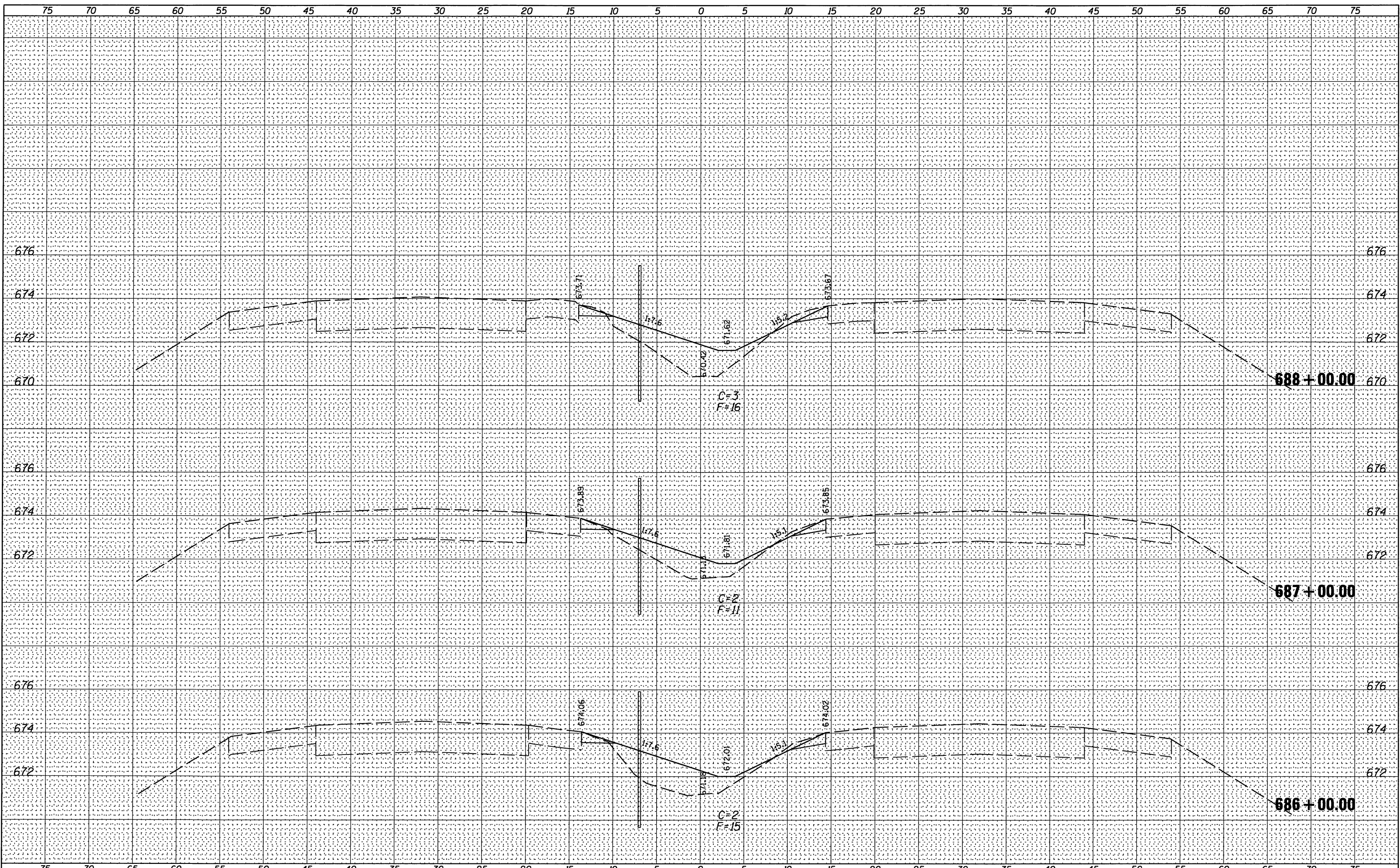
SCALE: SHEET NO. 91 OF 118 SHEETS STA. 683+00.00 TO STA. 685+00.00

F.A.I. RTE.	SECTION	COUNTY	TOTAL SHEETS	SHEET NO.
74	HSIP FY2012-1	CHAMPAIGN	160	133
			CONTRACT NO. 70956	

ILLINOIS FED. AID PROJECT

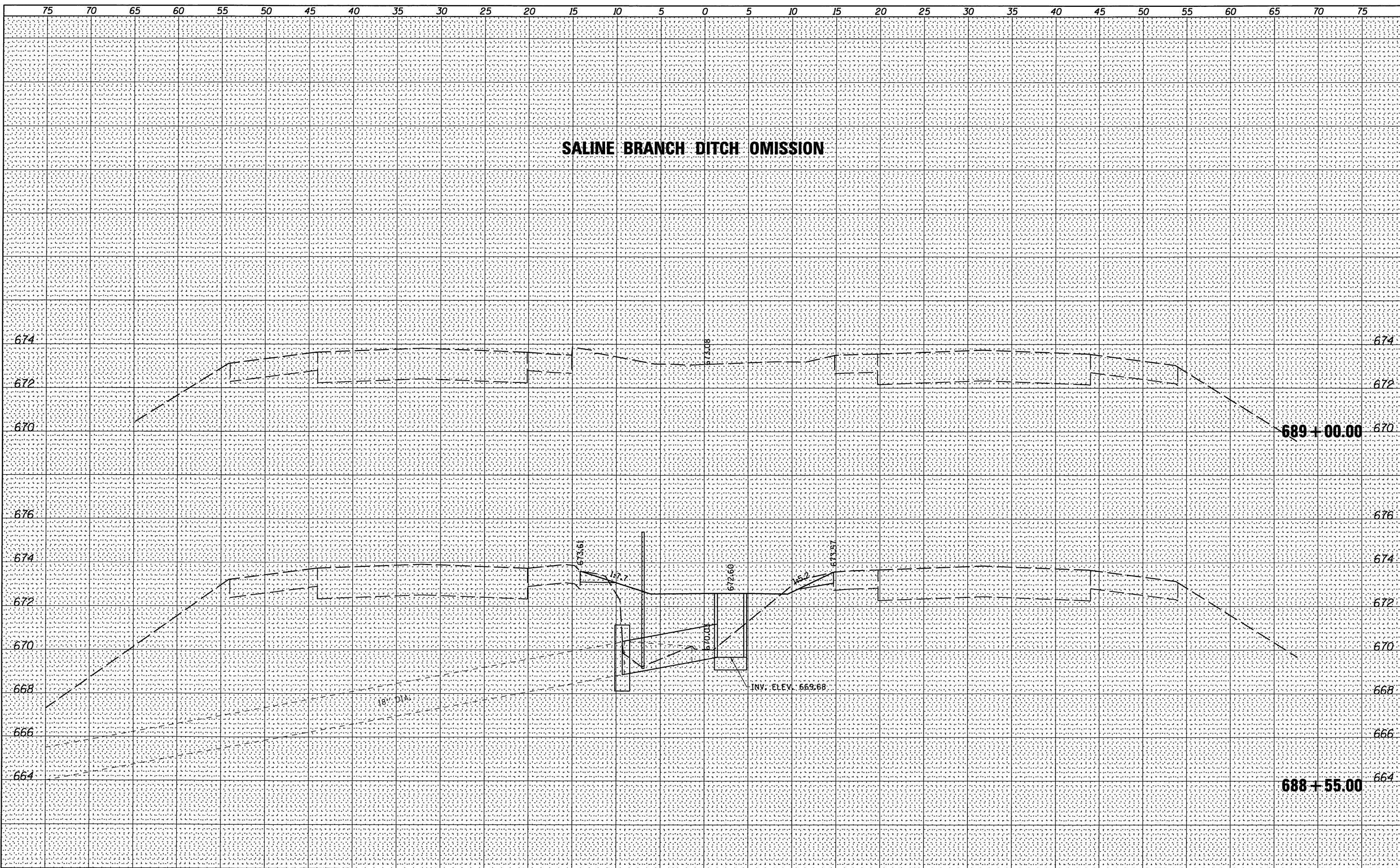
BY	DATE
SURVEYED	
PLOTTED	
NOTE BOOK	
AREAS CHECKED	
NO.	

BY	DATE
SURVEYED	
PLOTTED	
NOTE BOOK	
AREAS CHECKED	
NO.	



FILE NAME =	USER NAME = #USER#	DESIGNED -	REVISED -	STATE OF ILLINOIS DEPARTMENT OF TRANSPORTATION	FAI 74 CROSS SECTIONS			F.A.I. RTE.	SECTION	COUNTY	TOTAL SHEETS	SHEET NO.
#FILE#		DRAWN -	REVISED -		74	HSIP FY2012-1	CHAMPAIGN	160	134			
		CHECKED -	REVISED -		CONTRACT NO. 70956							
		DATE -	REVISED -		ILLINOIS FED. AID PROJECT							
		PLOT SCALE = #SCALE#		SCALE:	SHEET NO. 92 OF 118 SHEETS	STA. 686+00.00	TO STA. 688+00.00					

SALINE BRANCH DITCH OMISSION



FINAL SURVEY	DATE
SURVEYED	
PLOTTED	
NOTE BOOK	
AREAS CHECKED	

ORIGINAL SURVEY	DATE
SURVEYED	
PLOTTED	
NOTE BOOK	
AREAS CHECKED	

FILE NAME =
#FILE#

USER NAME = #USER#
DESIGNED -
DRAWN -
PLOT SCALE = #SCALE#
PLOT DATE = #DATE#

REVISIED -
REVISIED -
CHECKED -
DATE -

REVISIED -
REVISIED -
REVISIED -
REVISIED -

**STATE OF ILLINOIS
DEPARTMENT OF TRANSPORTATION**

FAI 74 CROSS SECTIONS

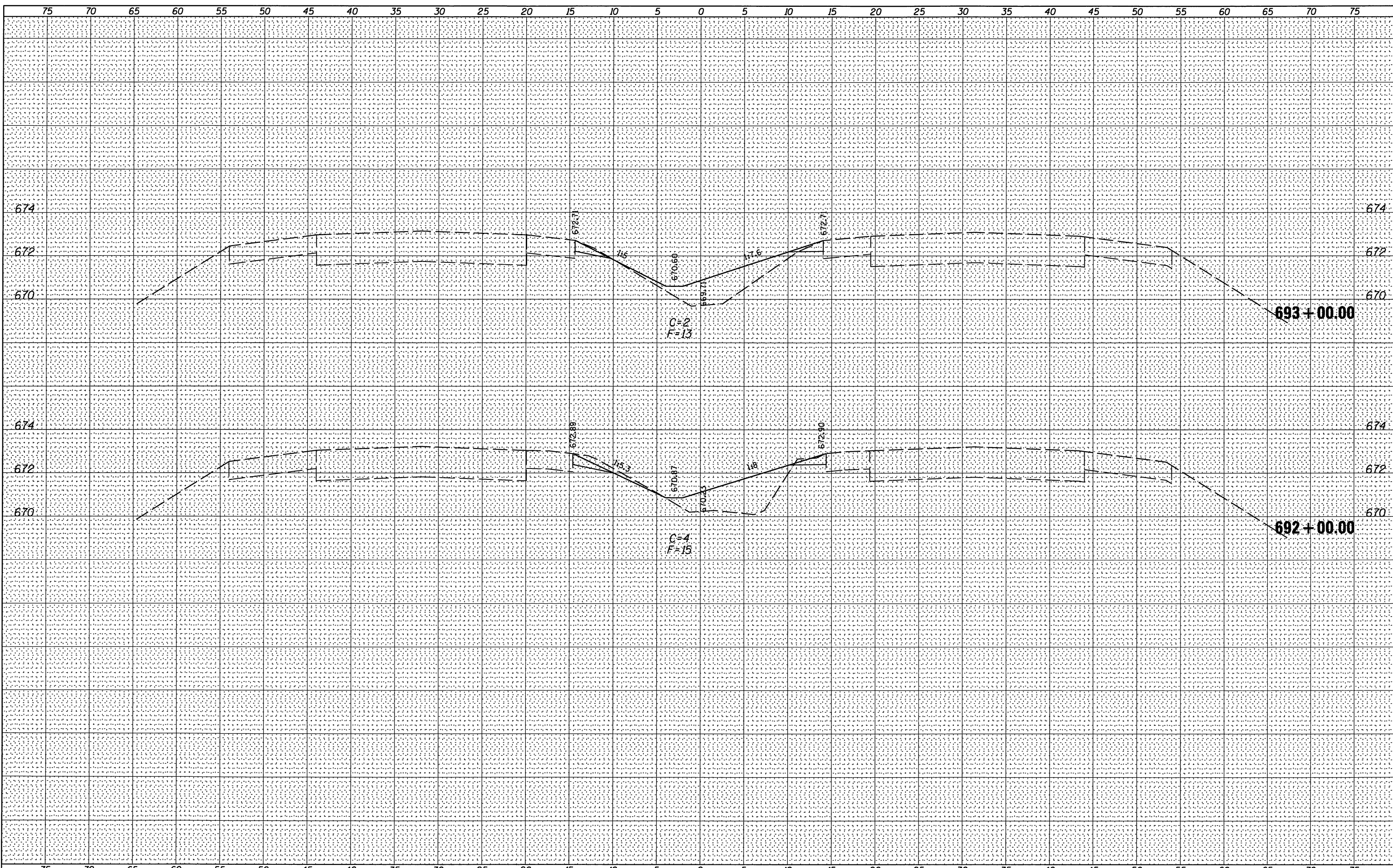
SCALE: SHEET NO. 93 OF 118 SHEETS STA. 688+55.00 TO STA. 689+00.00

F.A.I. RTE.	SECTION	COUNTY	TOTAL SHEETS	SHEET NO.
74	HSIP FY2012-1	CHAMPAIGN	160	135
			CONTRACT NO.	70956

ILLINOIS FED. AID PROJECT

FINAL	DATE
SURVEY	BY
PLOTTED	
NOTE BOOK	
NO.	

ORIGINAL	DATE
SURVEY	BY
PLOTTED	
NOTE BOOK	
NO.	



FILE NAME =
#FILE#

USER NAME = #USER#
DESIGNED -
DRAWN -
PLOT SCALE = #SCALE#
CHECKED -
PLOT DATE = #DATE#
DATE -

REVISED -
REVISED -
REVISED -
REVISED -

STATE OF ILLINOIS
DEPARTMENT OF TRANSPORTATION

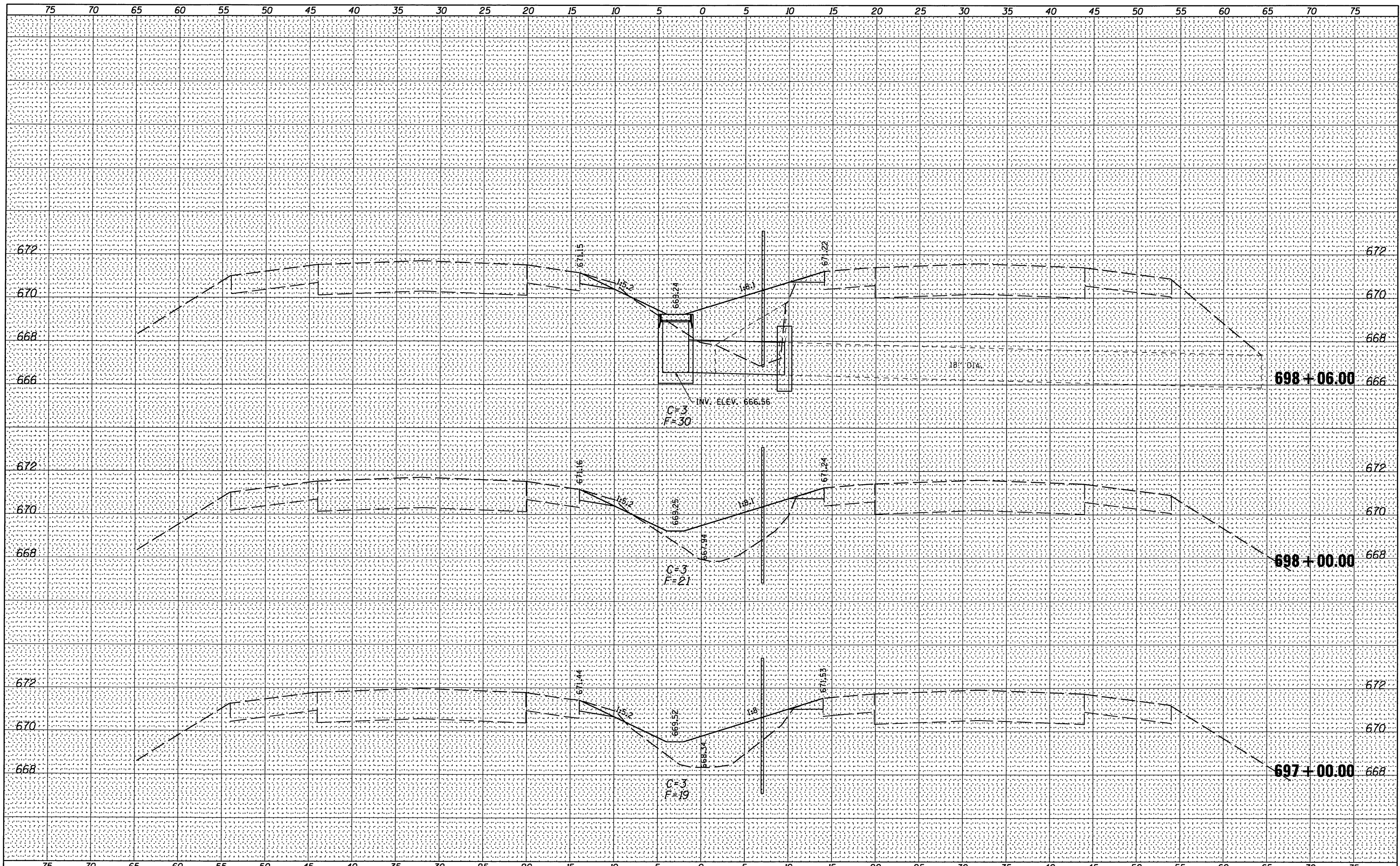
FAI 74 CROSS SECTIONS

SCALE: SHEET NO. 94 OF 118 SHEETS STA. 692+00.00 TO STA. 693+00.00

F.A.I. RTE.	SECTION	COUNTY	TOTAL SHEETS	SHEET NO.
74	HSIP FY2012-1	CHAMPAIGN	160	136
CONTRACT NO. 70956			ILLINOIS FED. AID PROJECT	

DATE _____
 BY _____
 SURVEYED _____
 PLOTTED _____
 ORIGINAL SURVEY _____
 NOTE BOOK _____
 NO. _____

DATE _____
 BY _____
 SURVEYED _____
 PLOTTED _____
 ORIGINAL SURVEY _____
 NOTE BOOK _____
 NO. _____



FILE NAME = _____
 *FILE# _____

USER NAME = #USER*	DESIGNED -	REVISED -
	DRAWN -	REVISED -
PLOT SCALE = #SCALE*	CHECKED -	REVISED -
PLOT DATE = #DATE*	DATE -	REVISED -

**STATE OF ILLINOIS
 DEPARTMENT OF TRANSPORTATION**

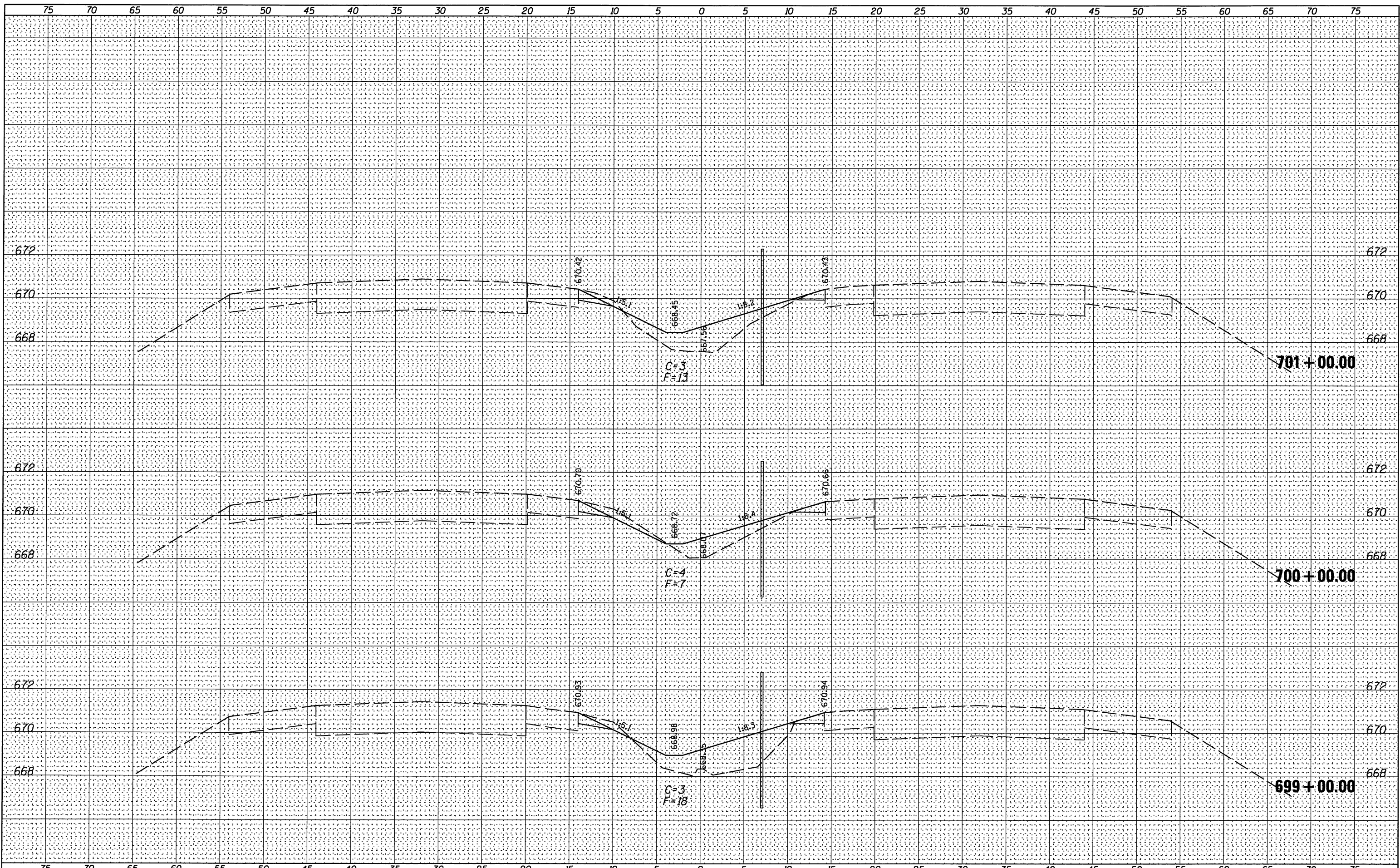
FAI 74 CROSS SECTIONS

SCALE: SHEET NO. 96 OF 118 SHEETS STA. 697+00.00 TO STA. 698+06.00

F.A.I. RTE.	SECTION	COUNTY	TOTAL SHEETS	SHEET NO.
74	HSIP FY2012-1	CHAMPAIGN	160	138
			CONTRACT NO.	70956
ILLINOIS FED. AID PROJECT				

BY	DATE
SURVEYED	
PLOTTED	
NOTE BOOK	
AREAS	
AREAS CHECKED	
NO.	

BY	DATE
SURVEYED	
PLOTTED	
NOTE BOOK	
AREAS	
AREAS CHECKED	
NO.	



FILE NAME =
#FILE#

USER NAME = #USER#	DESIGNED -	REVISED -
	DRAWN -	REVISED -
PLOT SCALE = #SCALE#	CHECKED -	REVISED -
PLOT DATE = #DATE#	DATE -	REVISED -

**STATE OF ILLINOIS
DEPARTMENT OF TRANSPORTATION**

FAI 74 CROSS SECTIONS

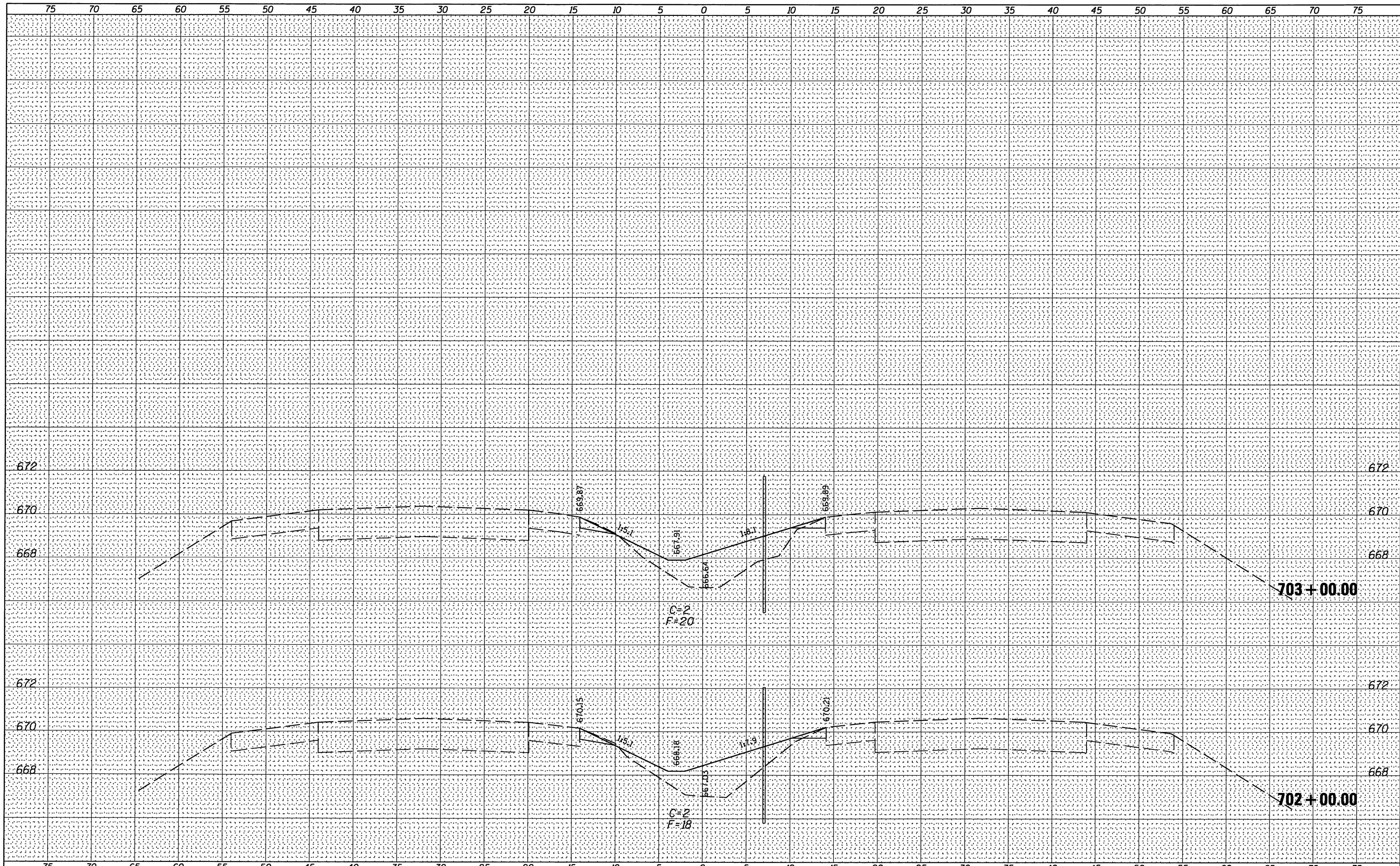
SCALE: SHEET NO. 97 OF 118 SHEETS STA. 699+00.00 TO STA. 701+00.00

F.A.I. RTE.	SECTION	COUNTY	TOTAL SHEETS	SHEET NO.
74	HSIP FY2012-1	CHAMPAIGN	160	139
			CONTRACT NO.	70956

ILLINOIS FED. AID PROJECT

FINAL SURVEY	DATE
NOTE BOOK	BY
NO.	
SURVEYED	
TEMPERATURE	
AREAS CHECKED	

ORIGINAL SURVEY	DATE
NOTE BOOK	BY
NO.	
SURVEYED	
TEMPERATURE	
AREAS CHECKED	



FILE NAME =
#FILE#

USER NAME = #USER#
DESIGNED -
DRAWN -
CHECKED -
DATE -

REVISED -
REVISED -
REVISED -
REVISED -

STATE OF ILLINOIS
DEPARTMENT OF TRANSPORTATION

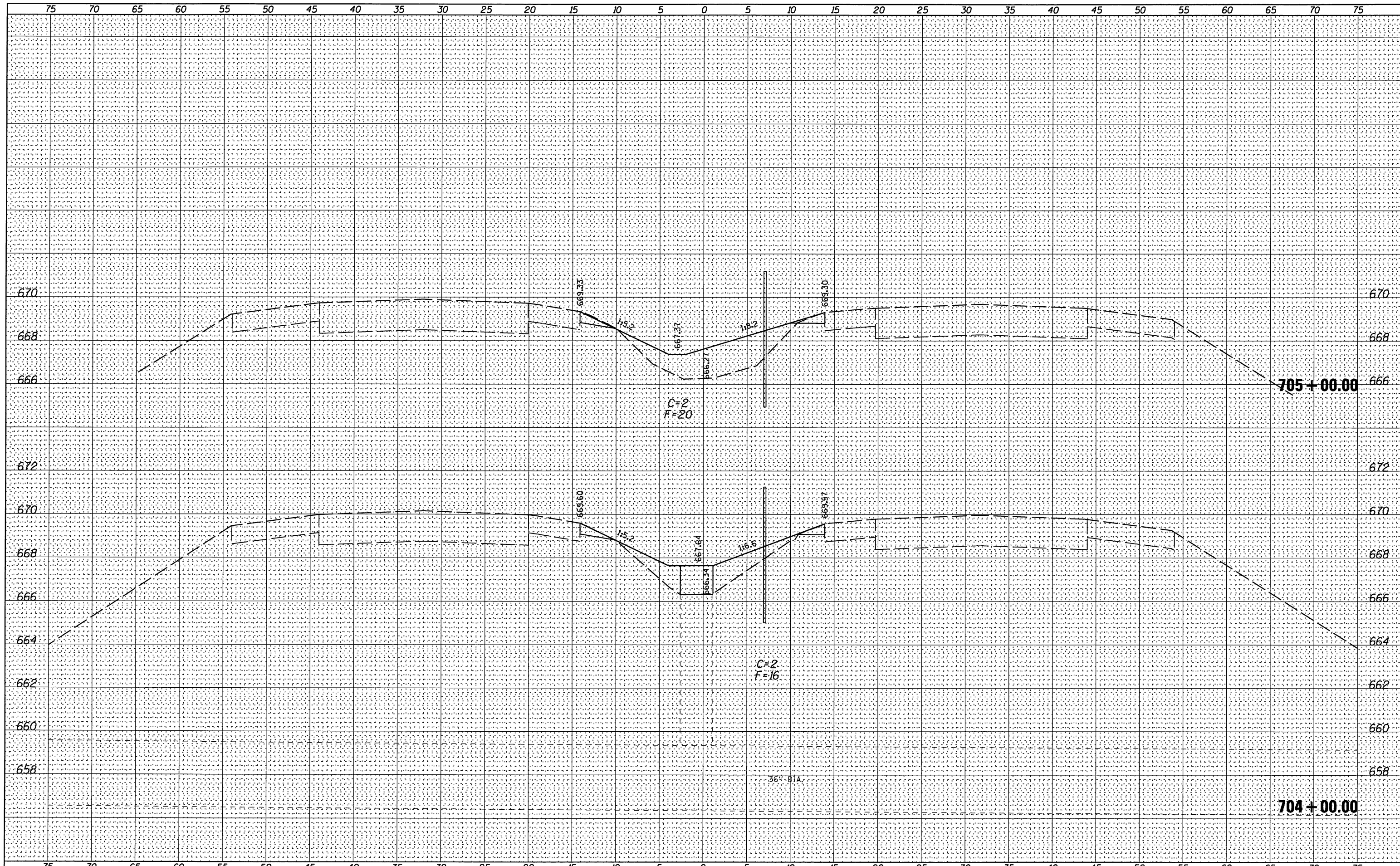
FAI 74 CROSS SECTIONS

SCALE: SHEET NO. 98 OF 118 SHEETS STA. 702+00.00 TO STA. 703+00.00

F.A.I. RTE.	SECTION	COUNTY	TOTAL SHEETS	SHEET NO.
74	HSIP FY2012-1	CHAMPAIGN	160	140
			CONTRACT NO. 70956	
ILLINOIS FED. AID PROJECT				

DATE	
BY	
FINAL SURVEY	
PLOTTED	
NOTE BOOK	
AREAS CHECKED	
NO.	

DATE	
BY	
ORIGINAL SURVEY	
PLOTTED	
NOTE BOOK	
AREAS CHECKED	
NO.	



FILE NAME =
#FILE#

USER NAME = #USER#
DESIGNED -
DRAWN -
PLOT SCALE = #SCALE#
CHECKED -
PLOT DATE = #DATE#
DATE -

REVISED -
REVISED -
REVISED -
REVISED -

**STATE OF ILLINOIS
DEPARTMENT OF TRANSPORTATION**

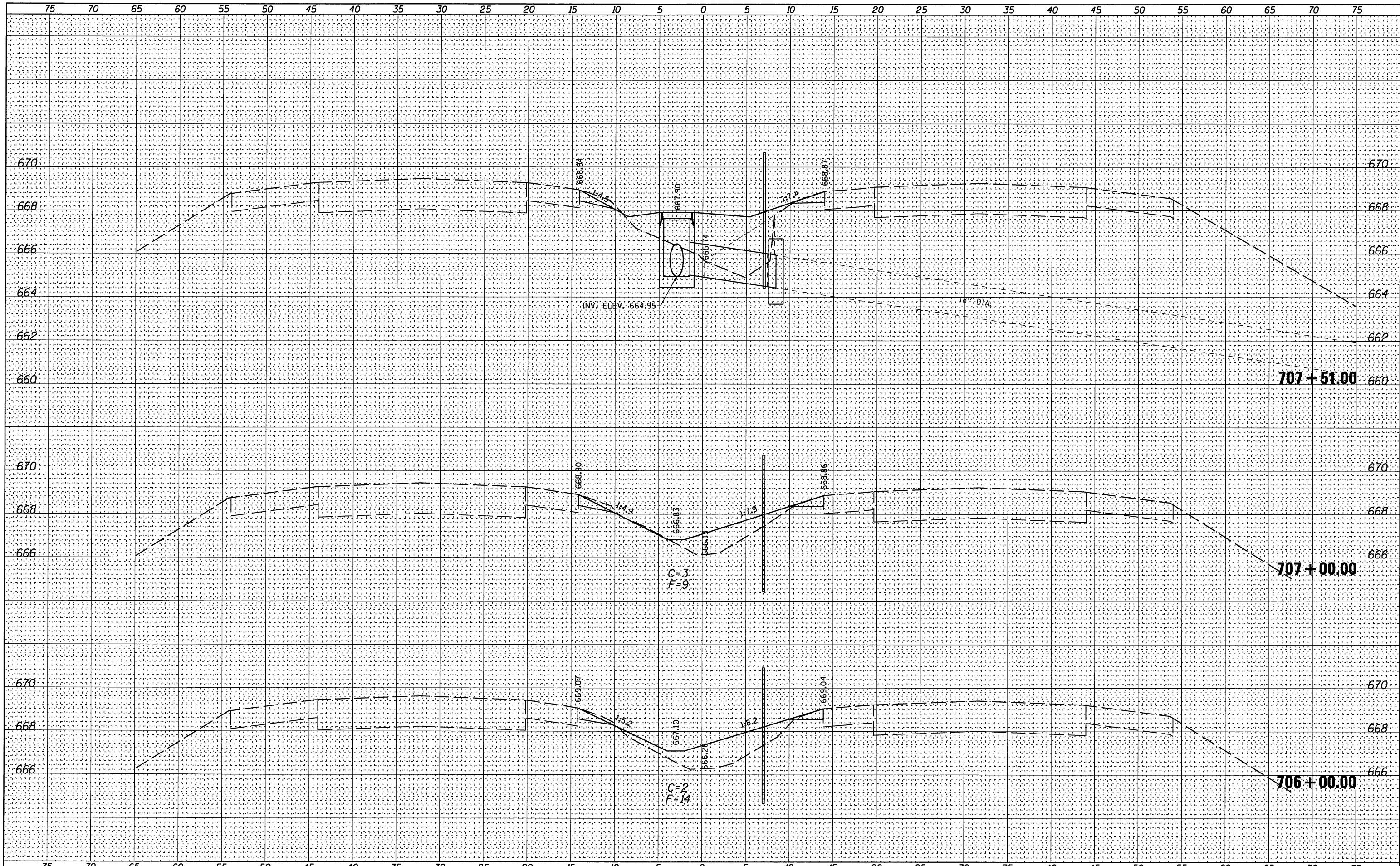
FAI 74 CROSS SECTIONS

SCALE: SHEET NO. 99 OF 118 SHEETS STA. 704+00.00 TO STA. 705+00.00

F.A.I. RTE.	SECTION	COUNTY	TOTAL SHEETS	SHEET NO.
74	HSIP FY2012-1	CHAMPAIGN	160	141
CONTRACT NO. 70956			ILLINOIS FED. AID PROJECT	

DATE _____
 BY _____
 SURVEYED _____
 PLOTTED _____
 TEMPLATE _____
 AREAS CHECKED _____
 NO. _____

DATE _____
 BY _____
 SURVEYED _____
 PLOTTED _____
 TEMPLATE _____
 AREAS CHECKED _____
 NO. _____



FILE NAME = _____
 FILEL _____

USER NAME = #USER#	DESIGNED -	REVISED -
PLOT SCALE = #SCALE#	DRAWN -	REVISED -
PLOT DATE = #DATE#	CHECKED -	REVISED -
	DATE -	REVISED -

**STATE OF ILLINOIS
 DEPARTMENT OF TRANSPORTATION**

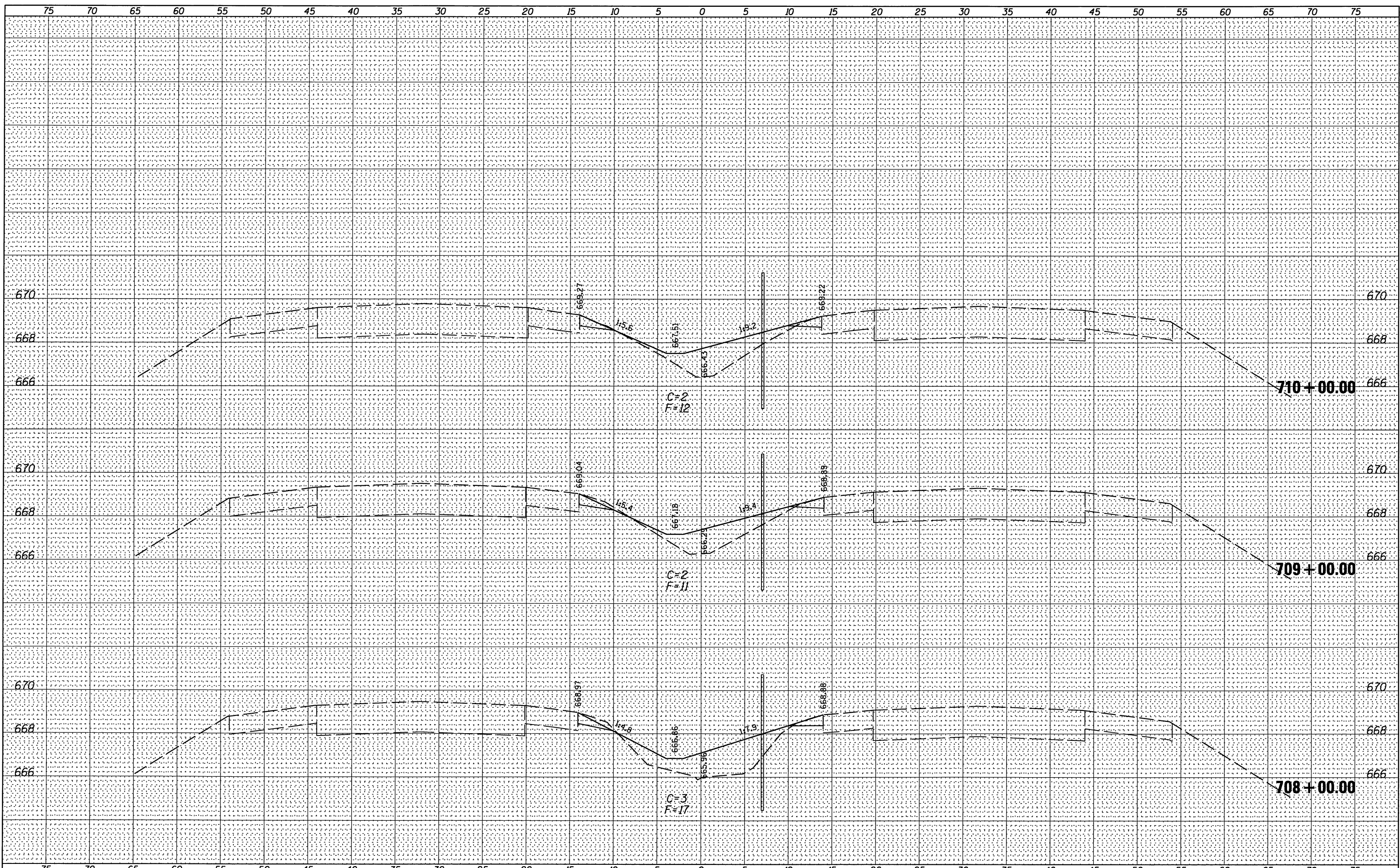
FAI 74 CROSS SECTIONS

SCALE: _____ SHEET NO. 100 OF 118 SHEETS STA. 706+00.00 TO STA. 707+51.00

F.A.I. RTE. 74	SECTION HSIP FY2012-1	COUNTY CHAMPAIGN	TOTAL SHEETS 160	SHEET NO. 142
CONTRACT NO. 70956			[ILLINOIS] FED. AID PROJECT	

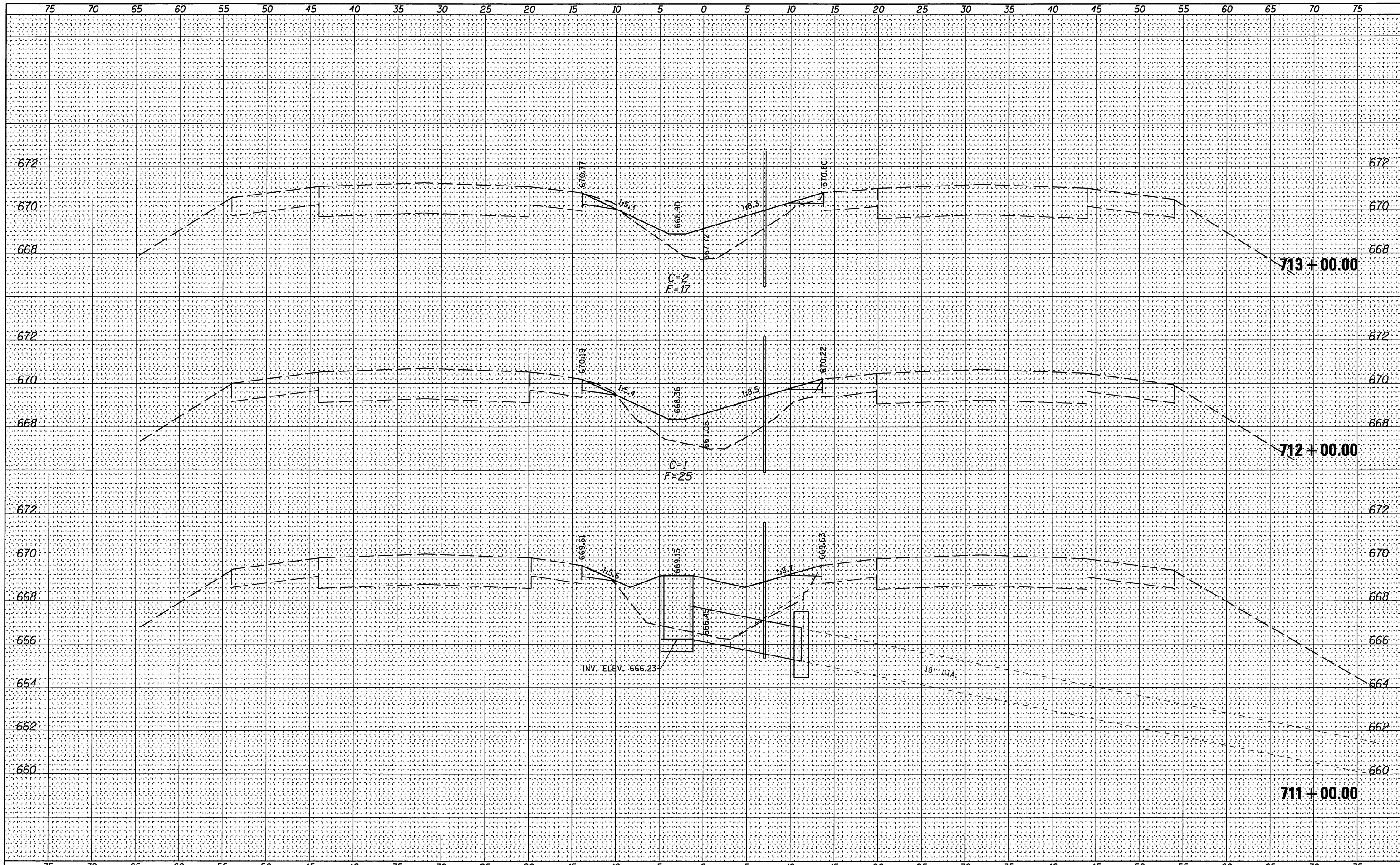
DATE	
BY	
FINAL SURVEY	
PLOTTED	
NOTE BOOK	
AREAS CHECKED	
NO.	

DATE	
BY	
ORIGINAL SURVEY	
PLOTTED	
NOTE BOOK	
AREAS CHECKED	
NO.	



DATE	
BY	
SURVEYED	
NOTE BOOK	
NO.	
FINAL SURVEY	
TEMPLATE	
AREAS CHECKED	

DATE	
BY	
SURVEYED	
NOTE BOOK	
NO.	
ORIGINAL SURVEY	
TEMPLATE	
AREAS CHECKED	



FILE NAME =
#FILE#

USER NAME = #USER#
DESIGNED -
DRAWN -
PLOT SCALE = #SCALE#
PLOT DATE = #DATE#

REVISIED -
REVISIED -
CHECKED -
DATE -

REVISIED -
REVISIED -
REVISIED -
REVISIED -

STATE OF ILLINOIS
DEPARTMENT OF TRANSPORTATION

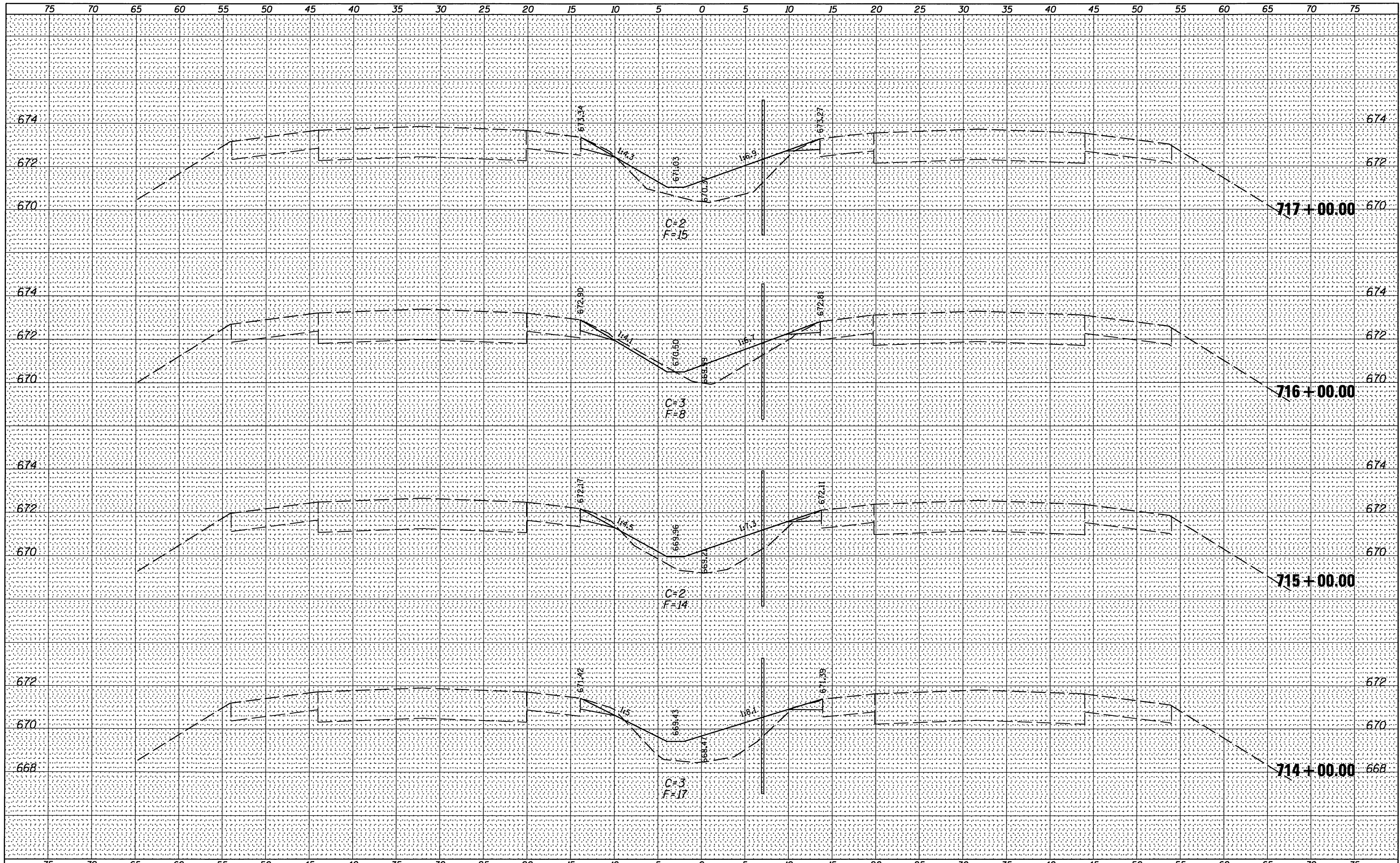
FAI 74 CROSS SECTIONS

SCALE: SHEET NO. 102 OF 118 SHEETS STA. 711+00.00 TO STA. 713+00.00

F.A.I. RTE.	SECTION	COUNTY	TOTAL SHEETS	SHEET NO.
74	HSIP FY2012-1	CHAMPAIGN	160	144
CONTRACT NO. 70956			ILLINOIS FED. AID PROJECT	

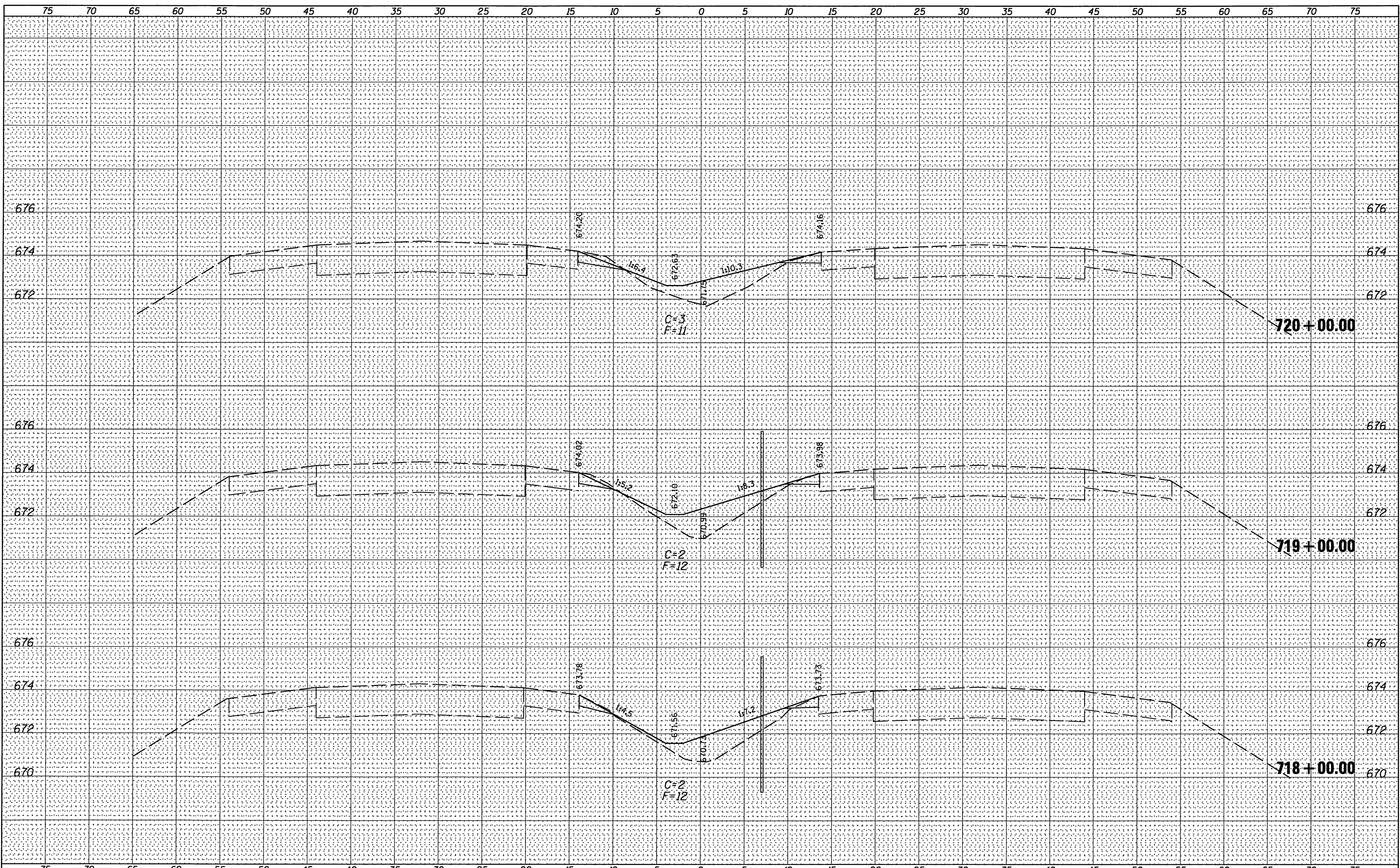
DATE	
BY	
FINAL SURVEY	
NOTE BOOK	
NO.	

DATE	
BY	
ORIGINAL SURVEY	
NOTE BOOK	
NO.	



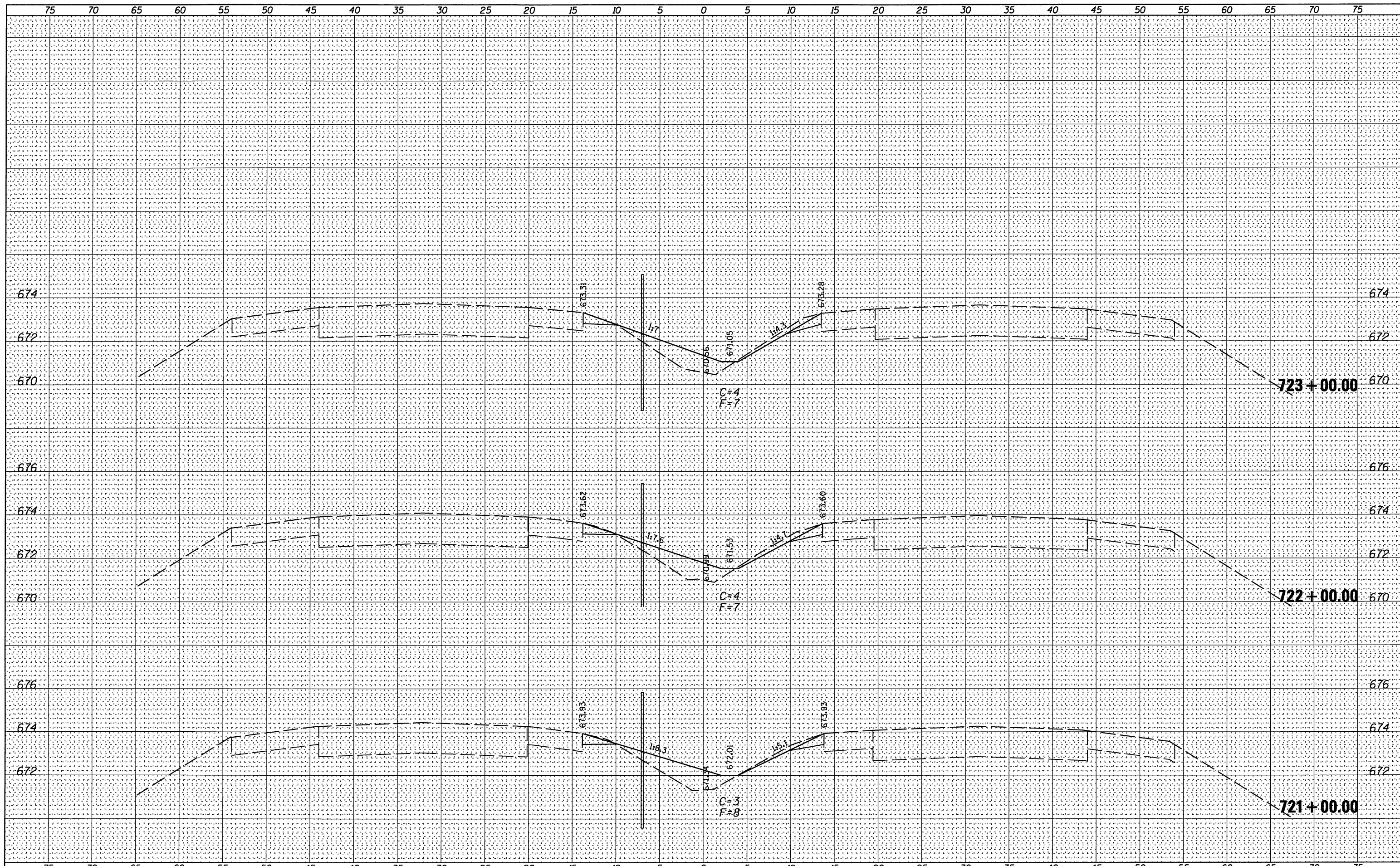
FINAL	DATE
SURVEYED	
PLOTTED	
TEMPLATE	
AREAS	
CHECKED	
NO.	

ORIGINAL	DATE
SURVEYED	
PLOTTED	
TEMPLATE	
AREAS	
CHECKED	
NO.	



FINAL SURVEY DATE
 SURVEYED BY
 CHECKED BY
 NOTE BOOK NO.
 TEMPLATE AREAS CHECKED

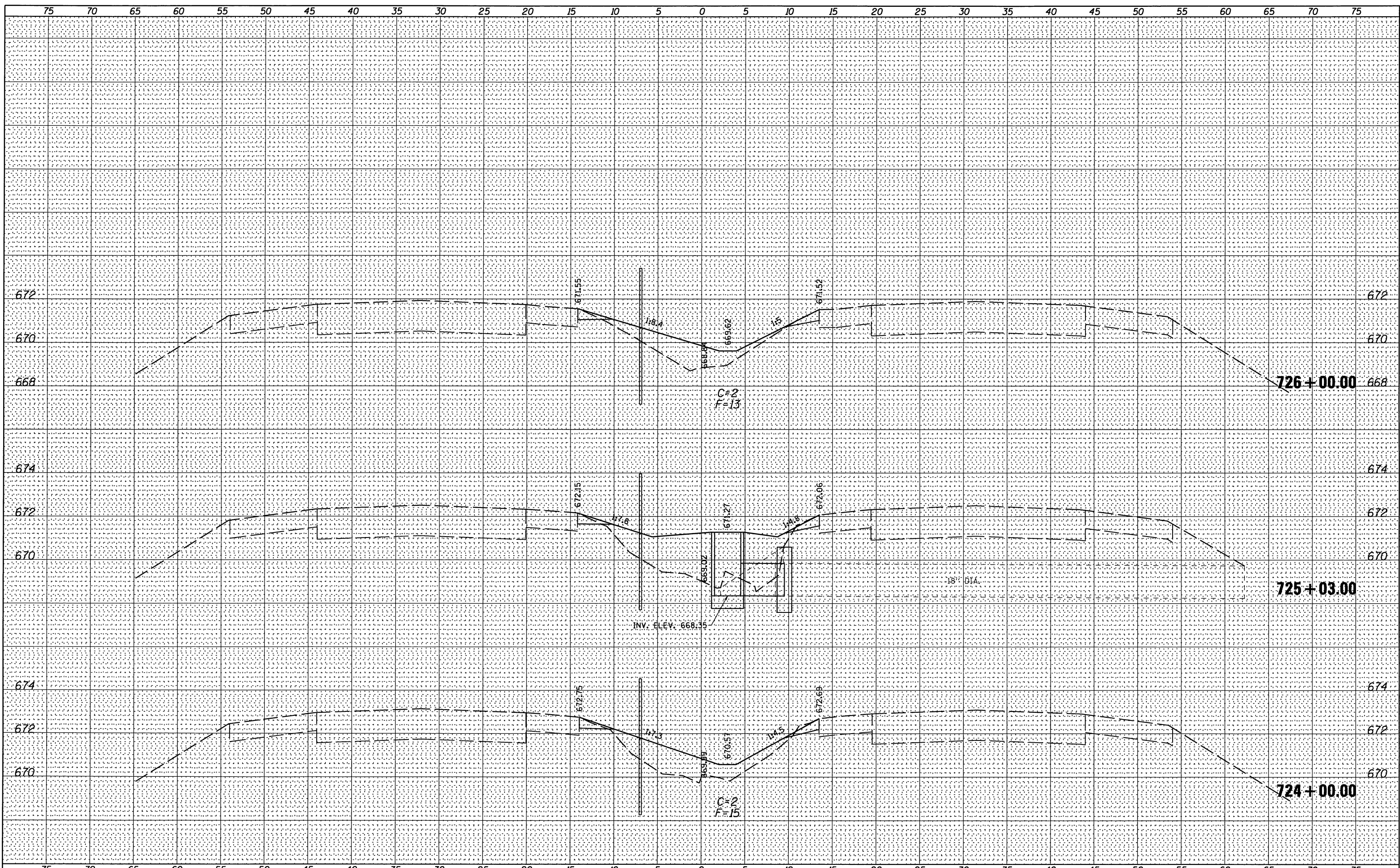
ORIGINAL SURVEY DATE
 SURVEYED BY
 CHECKED BY
 NOTE BOOK NO.
 TEMPLATE AREAS CHECKED



FILE NAME =	USER NAME = #USER#	DESIGNED -	REVISED -	STATE OF ILLINOIS DEPARTMENT OF TRANSPORTATION				FAI 74 CROSS SECTIONS				F.A. I RTE.	SECTION	COUNTY	TOTAL SHEETS	SHEET NO.			
#FILE#		DRAWN -	REVISED -									74	HSIP FY2012-1	CHAMPAIGN	160	147			
		CHECKED -	REVISED -									SCALE:				SHEET NO. 105 OF 118 SHEETS			
		DATE -	REVISED -									STA. 721+00.00 TO STA. 723+00.00				CONTRACT NO. 70956			
												ILLINOIS FED. AID PROJECT							

DATE	
BY	
FINAL SURVEY	
PLOTTED	
NOTE BOOK	
AREAS CHECKED	
NO.	

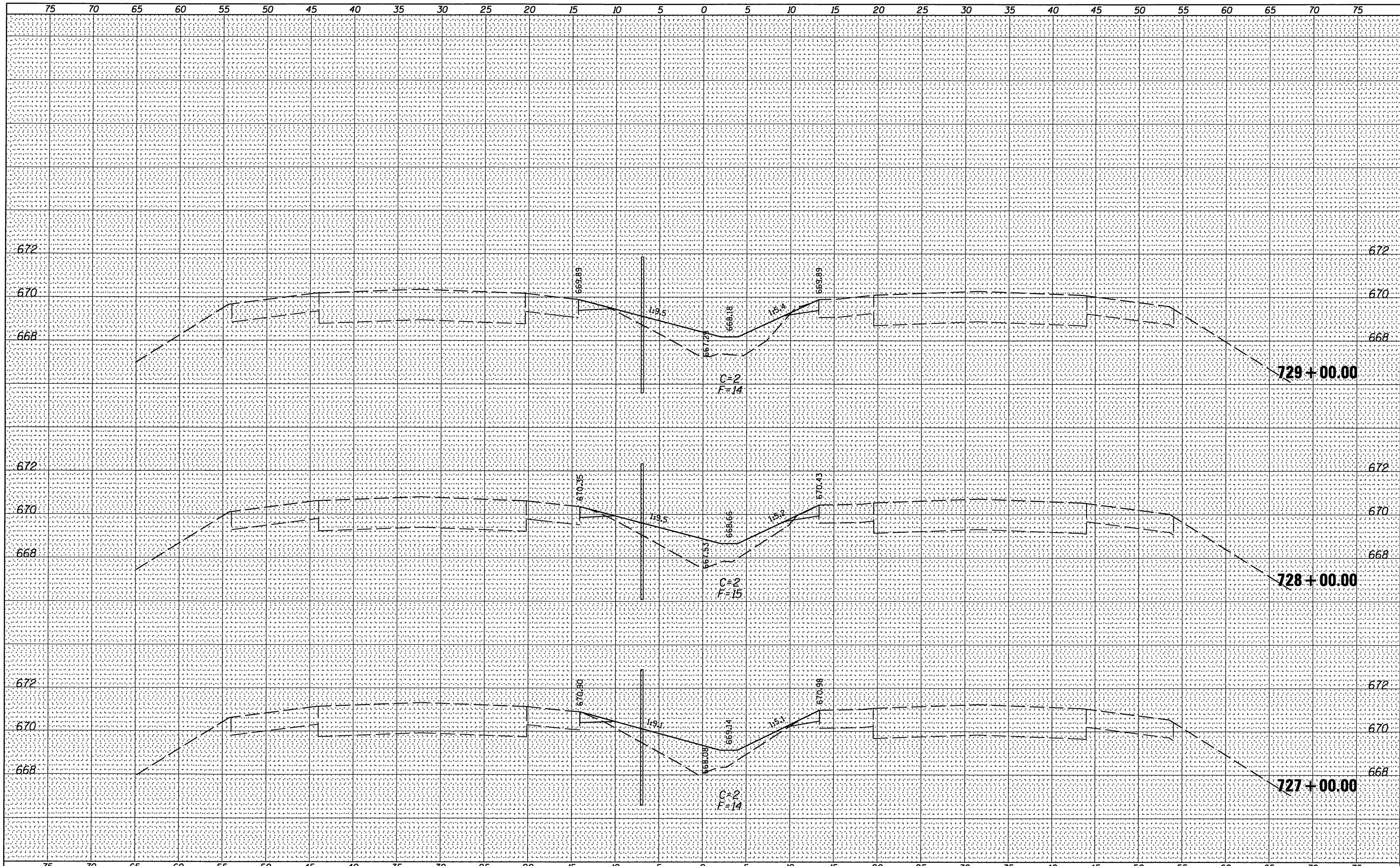
DATE	
BY	
ORIGINAL SURVEY	
PLOTTED	
NOTE BOOK	
AREAS CHECKED	
NO.	



FILE NAME =	USER NAME = *USER*	DESIGNED -	REVISED -	STATE OF ILLINOIS DEPARTMENT OF TRANSPORTATION				FAI 74 CROSS SECTIONS				F.A.I. RTE.	SECTION	COUNTY	TOTAL SHEETS	SHEET NO.
FILEL		DRAWN -	REVISED -					74	HSIP FY2012-1	CHAMPAIGN	160	148				
	PLOT SCALE = *SCALE*	CHECKED -	REVISED -	SCALE:				SHEET NO. 106 OF 118 SHEETS	STA. 724+00.00 TO STA. 726+00.00	CONTRACT NO. 70956						
	PLOT DATE = *DATE*	DATE -	REVISED -	ILLINOIS FED. AID PROJECT												

FINAL SURVEY
 SURVEYED BY
 DATE
 NOTE BOOK NO.
 TEMPLATE AREAS CHECKED

ORIGINAL SURVEY
 SURVEYED BY
 DATE
 NOTE BOOK NO.
 TEMPLATE AREAS CHECKED



FILE NAME =
 #FILE#

USER NAME = #USER#	DESIGNED -	REVISED -
	DRAWN -	REVISED -
PLOT SCALE = #SCALE#	CHECKED -	REVISED -
PLOT DATE = #DATE#	DATE -	REVISED -

STATE OF ILLINOIS
 DEPARTMENT OF TRANSPORTATION

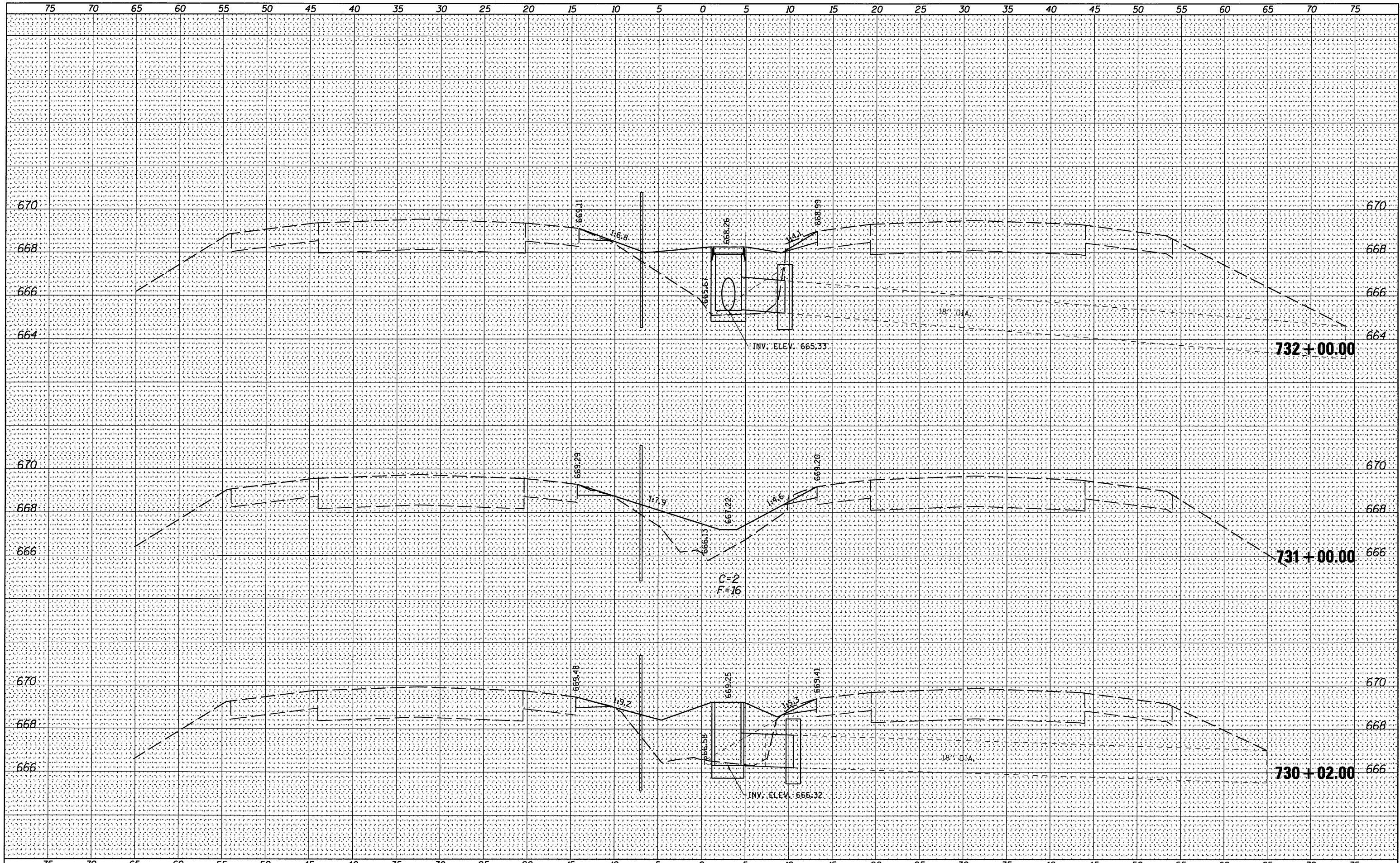
FAI 74 CROSS SECTIONS

SCALE: SHEET NO. 107 OF 118 SHEETS STA. 727+00.00 TO STA. 729+00.00

F.A.I. RTE.	SECTION	COUNTY	TOTAL SHEETS	SHEET NO.
74	HSIP FY2012-1	CHAMPAIGN	160	149
			CONTRACT NO. 70956	
ILLINOIS FED. AID PROJECT				

BY	DATE
SURVEYED	
NOTED	
TEMPLATE	
AREAS	
CHECKED	
NO.	

BY	DATE
SURVEYED	
NOTED	
TEMPLATE	
AREAS	
CHECKED	
NO.	



FILE NAME =
#FILE#

USER NAME = #USER#
PLOT SCALE = #SCALE#
PLOT DATE = #DATE#

DESIGNED -
DRAWN -
CHECKED -
DATE -

REVISED -
REVISED -
REVISED -
REVISED -

STATE OF ILLINOIS
DEPARTMENT OF TRANSPORTATION

FAI 74 CROSS SECTIONS

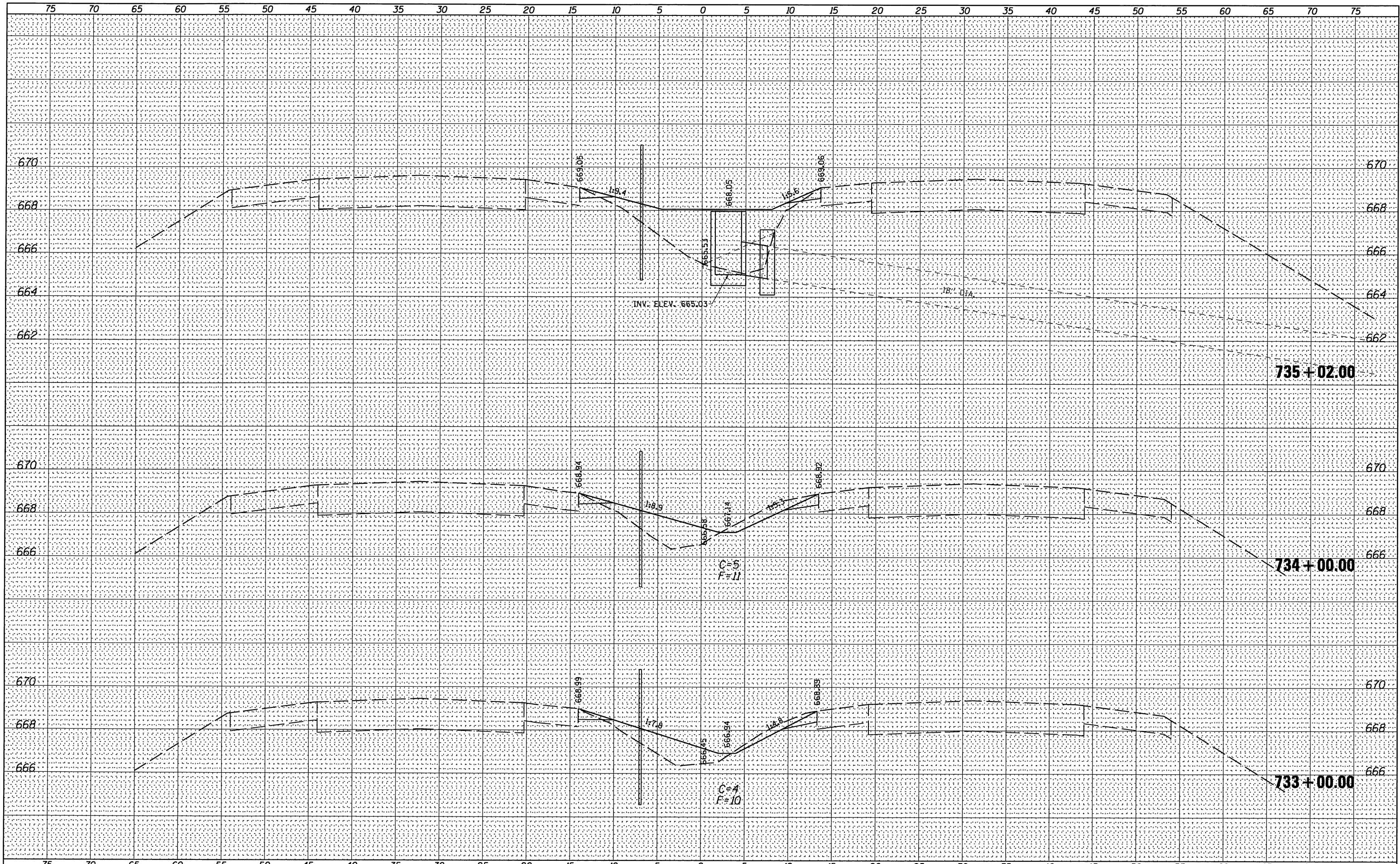
SCALE: SHEET NO. 108 OF 118 SHEETS STA. 730+02.00 TO STA. 732+00.00

F.A.I. RTE.	SECTION	COUNTY	TOTAL SHEETS	SHEET NO.
74	HSIP FY2012-1	CHAMPAIGN	160	150
			CONTRACT NO. 70956	

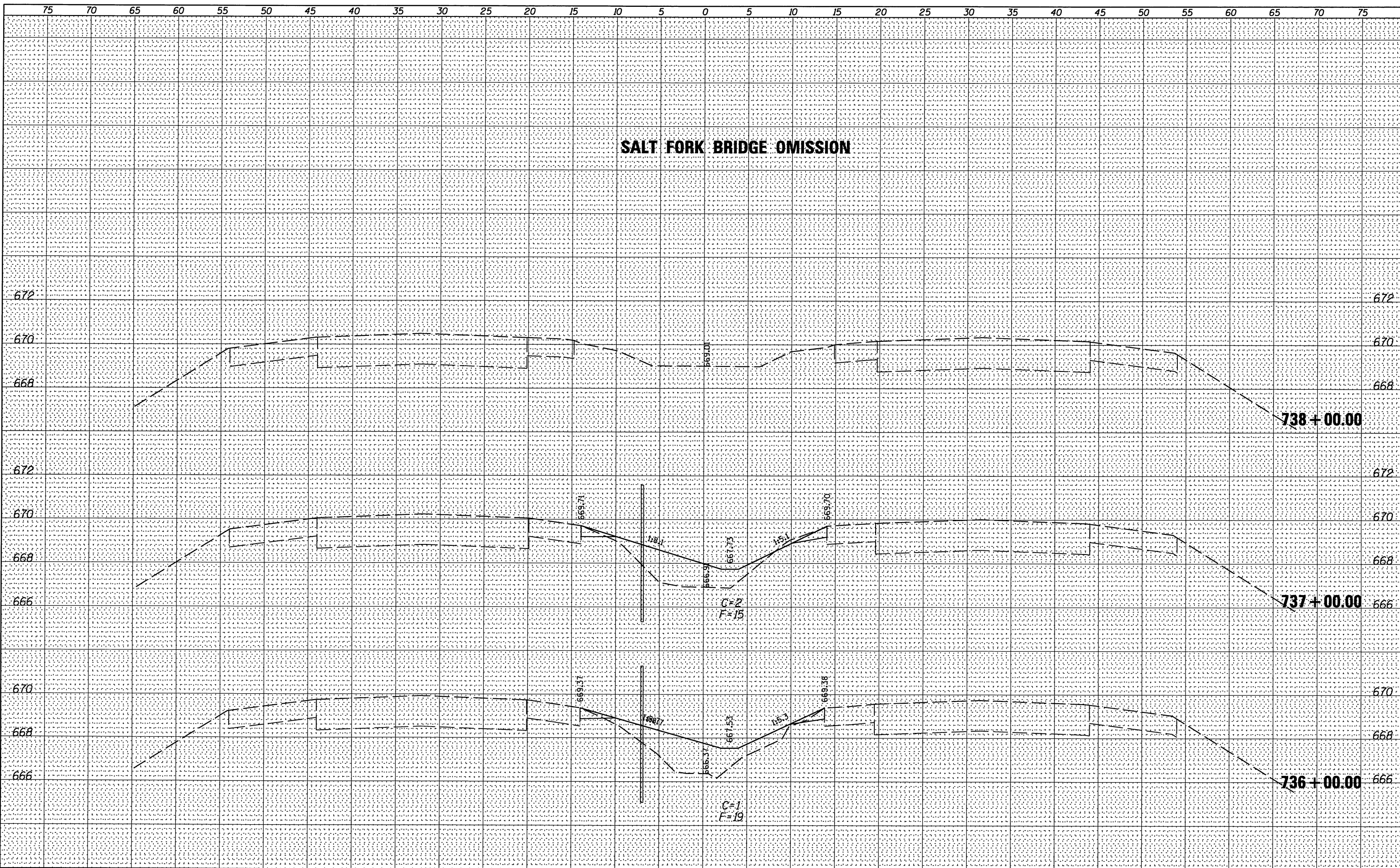
ILLINOIS FED. AID PROJECT

DATE _____
 BY _____
 SURVEYED _____
 PLOTTED _____
 TEMPLATE _____
 NOTE BOOK _____
 AREAS CHECKED _____
 NO. _____

DATE _____
 BY _____
 SURVEYED _____
 PLOTTED _____
 TEMPLATE _____
 NOTE BOOK _____
 AREAS CHECKED _____
 NO. _____



SALT FORK BRIDGE OMISSION

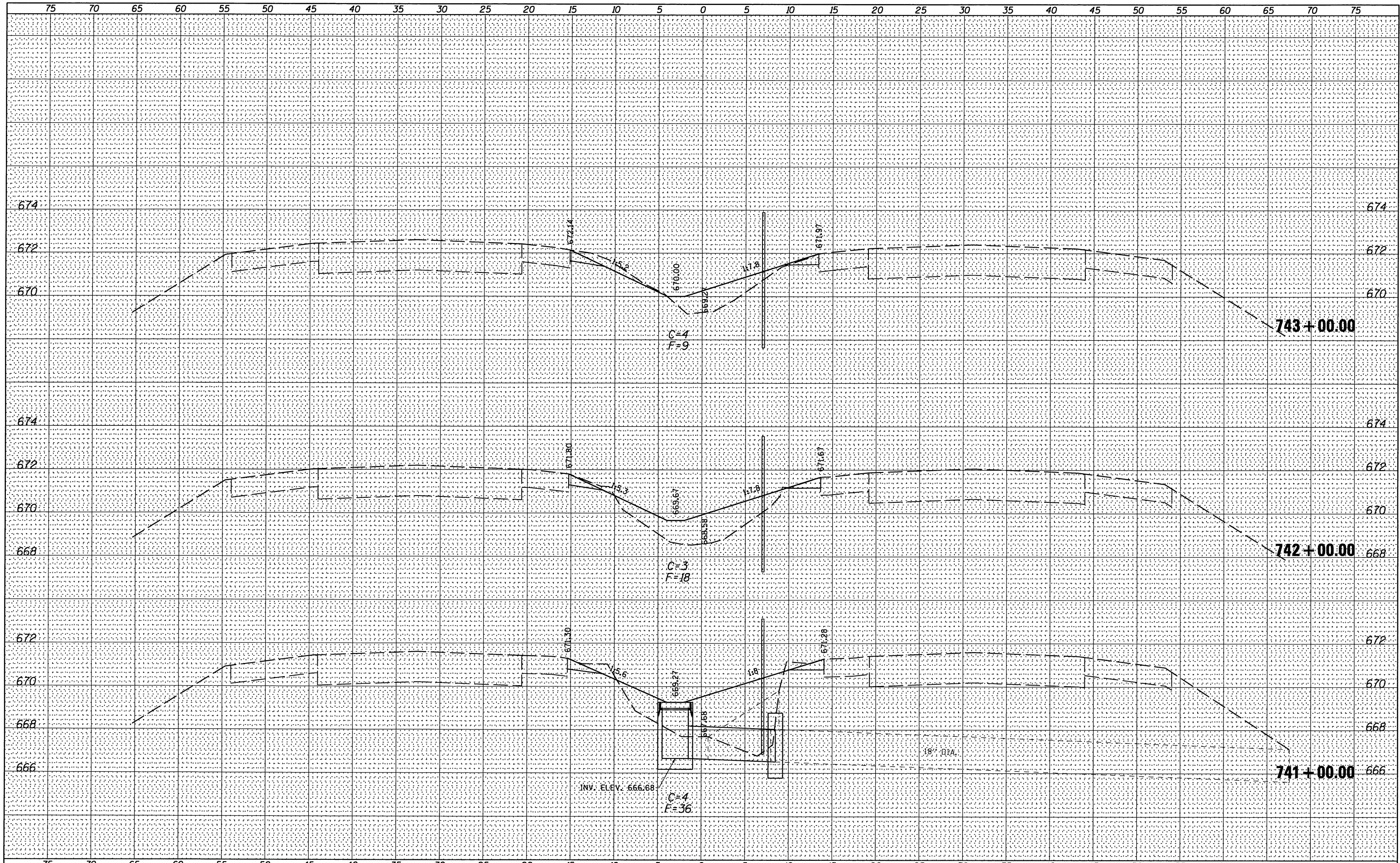


DATE	
BY	
FINAL SURVEY	
PLotted	
NOTE BOOK	
NO.	

DATE	
BY	
ORIGINAL SURVEY	
PLotted	
NOTE BOOK	
NO.	

BY	DATE
SURVEYED	
PLotted	
TEMPLATE	
AREAS CHECKED	
NO.	
FINAL SURVEY	
NOTE BOOK	
NO.	

BY	DATE
SURVEYED	
PLotted	
TEMPLATE	
AREAS CHECKED	
NO.	
ORIGINAL SURVEY	
NOTE BOOK	
NO.	



FILE NAME = #FILE#
 USER NAME = #USER#
 PLOT SCALE = #SCALE#
 PLOT DATE = #DATE#

DESIGNED -
 DRAWN -
 CHECKED -
 DATE -

REVISED -
 REVISED -
 REVISED -
 REVISED -

STATE OF ILLINOIS
 DEPARTMENT OF TRANSPORTATION

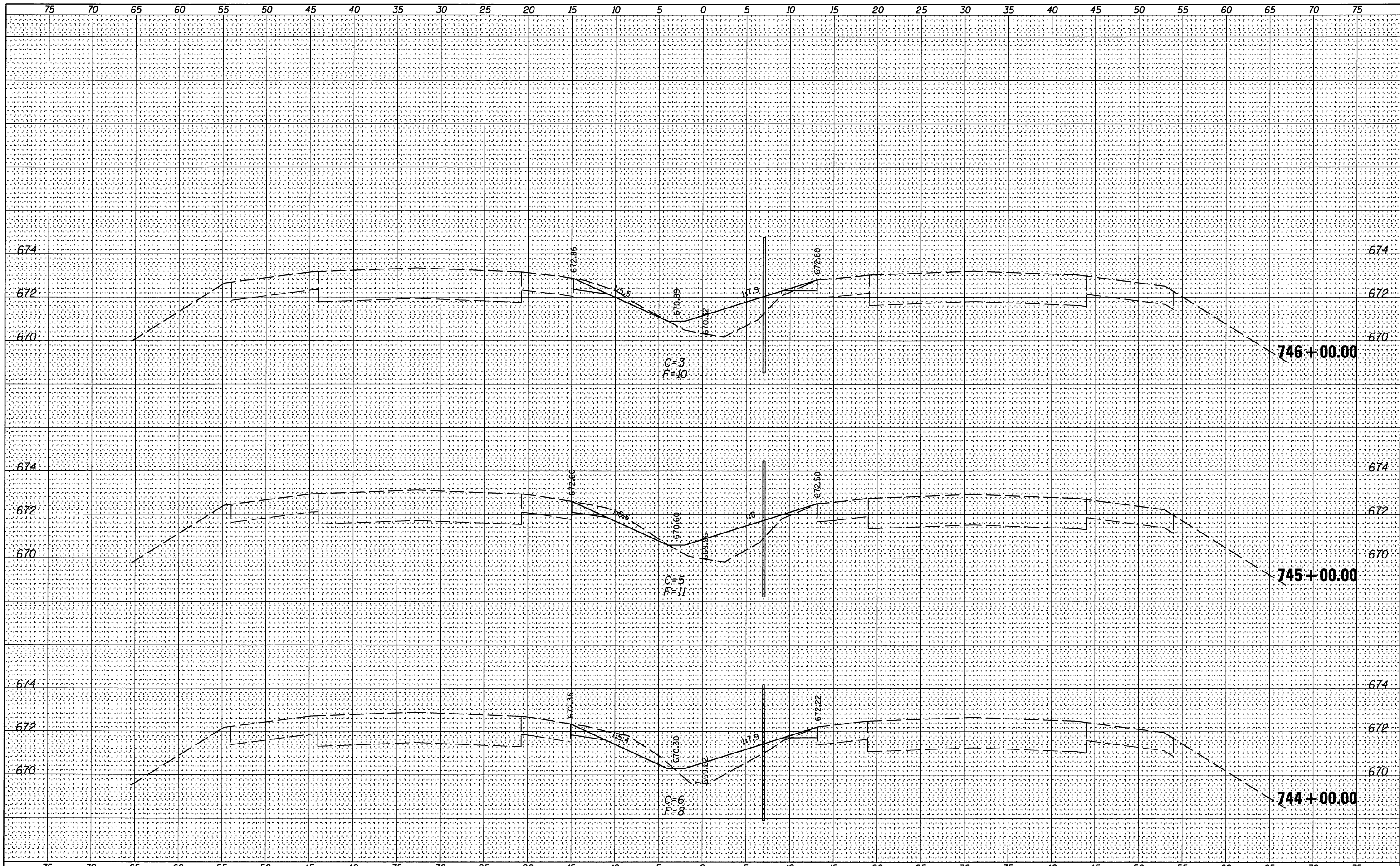
FAI 74 CROSS SECTIONS
 SCALE: SHEET NO. 111 OF 118 SHEETS STA. 741+00.00 TO STA. 743+00.00

F.A. 1	SECTION	COUNTY	TOTAL SHEETS	SHEET NO.
RTE. 74	HSPF FY2012-1	CHAMPAIGN	160	153
			CONTRACT NO.	70956
ILLINOIS FED. AID PROJECT				

INW. ELEV. 666.68
 18" DIA.

DATE	
BY	
SURVEYED	
PLOTTED	
TEMPLATE	
NOTE BOOK	
AREAS CHECKED	
NO.	

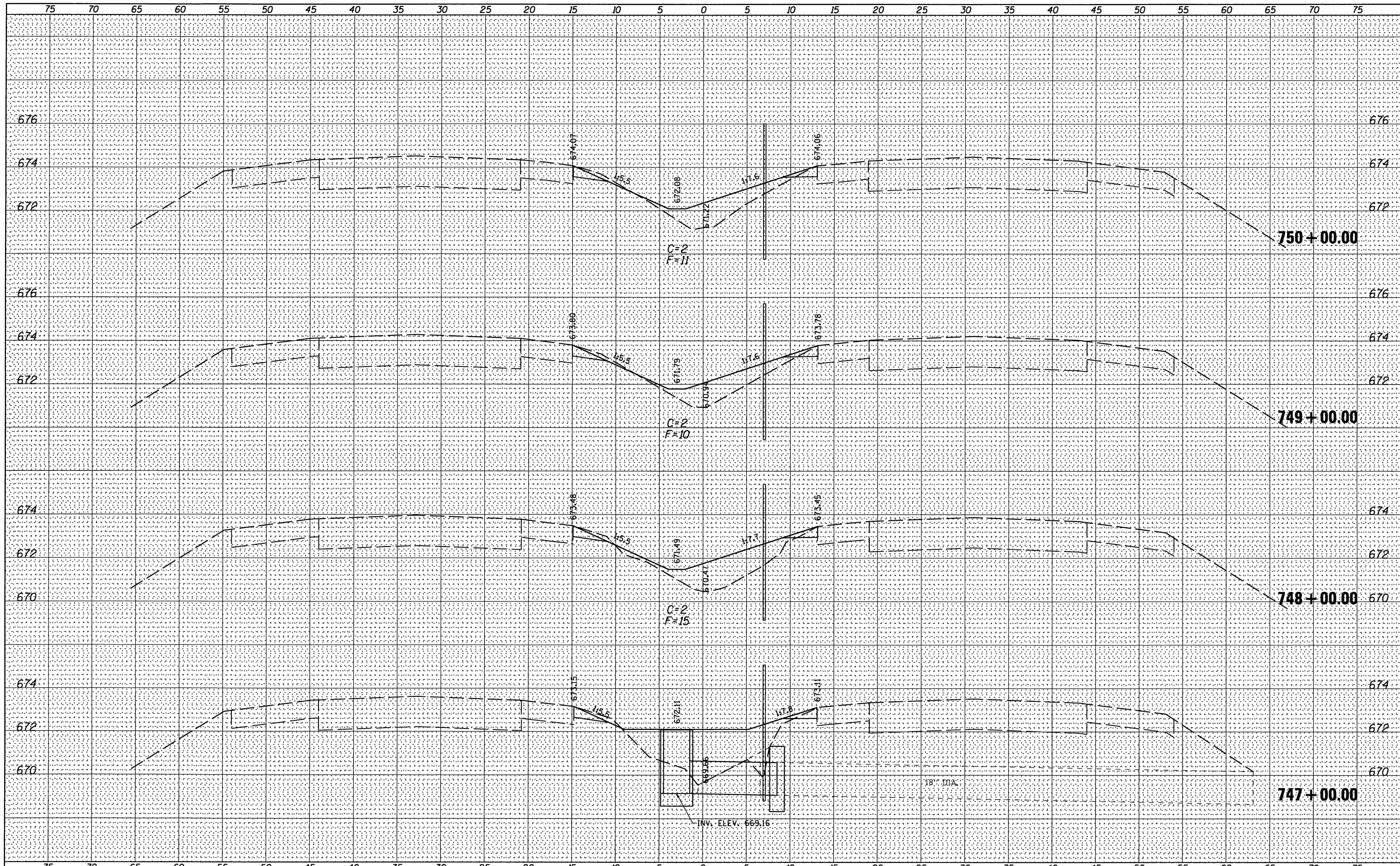
DATE	
BY	
SURVEYED	
PLOTTED	
TEMPLATE	
NOTE BOOK	
AREAS CHECKED	
NO.	



FILE NAME =	USER NAME = #USER*	DESIGNED -	REVISED -	STATE OF ILLINOIS DEPARTMENT OF TRANSPORTATION	FAI 74 CROSS SECTIONS		F.A.I. RTE.	SECTION	COUNTY	TOTAL SHEETS	SHEET NO.
#FILE#		DRAWN -	REVISED -		74	HSIP FY2012-1	CHAMPAIGN	160	154		
		CHECKED -	REVISED -		SCALE:		SHEET NO. 112 OF 118 SHEETS		STA. 744+00.00 TO STA. 746+00.00	ILLINOIS FED. AID PROJECT	
		DATE -	REVISED -								

DATE _____
 BY _____
 SURVEYED _____
 CHECKED _____
 ORIGINAL SURVEY _____
 NOTE BOOK _____
 NO. _____

DATE _____
 BY _____
 SURVEYED _____
 CHECKED _____
 ORIGINAL SURVEY _____
 NOTE BOOK _____
 NO. _____



FILE NAME = _____
 #FILE# _____

USER NAME = #USER#	DESIGNED -	REVISED -
	DRAWN -	REVISED -
PLOT SCALE = #SCALE#	CHECKED -	REVISED -
PLOT DATE = #DATE#	DATE -	REVISED -

**STATE OF ILLINOIS
 DEPARTMENT OF TRANSPORTATION**

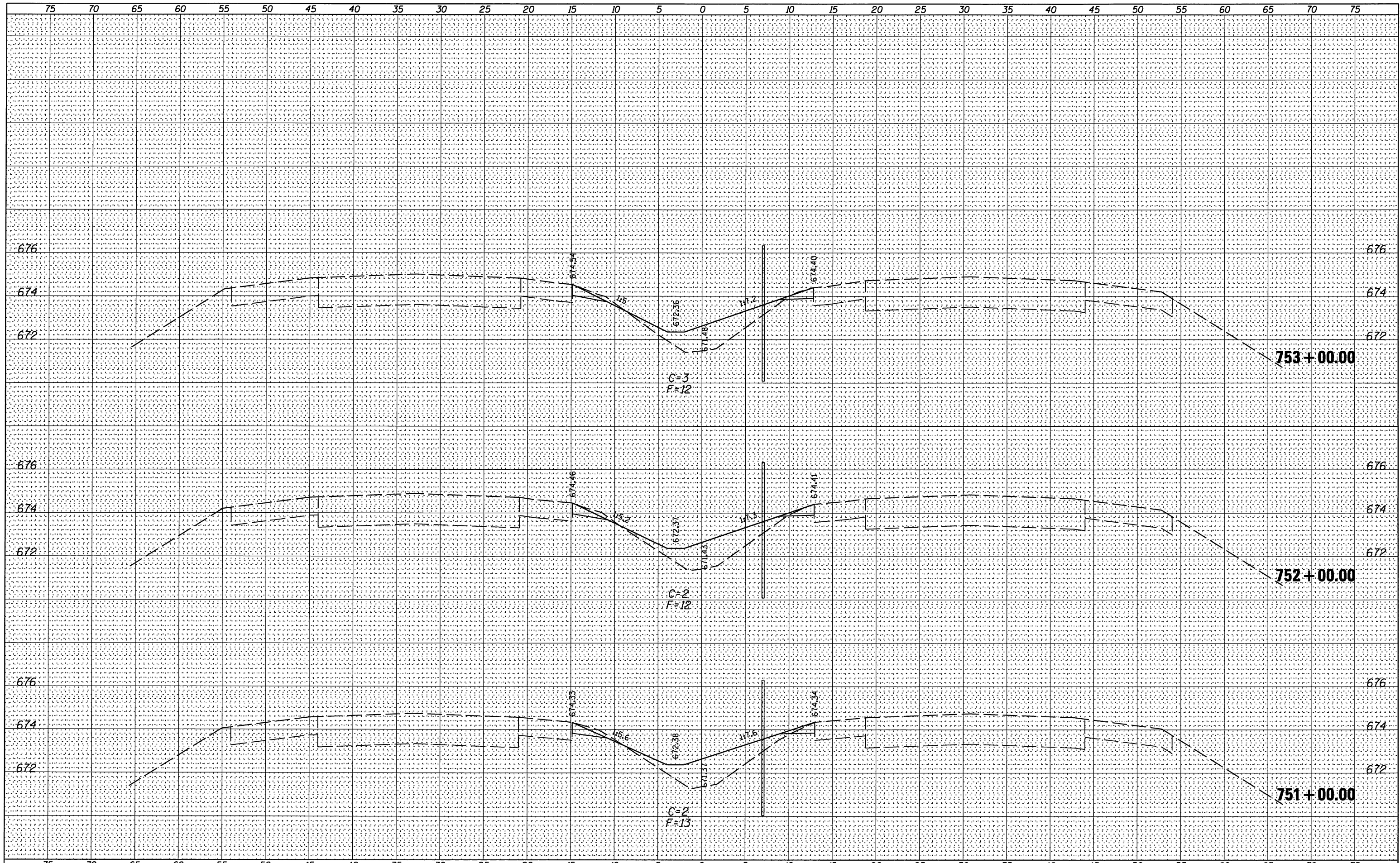
FAI 74 CROSS SECTIONS

SCALE: _____ SHEET NO. 113 OF 118 SHEETS STA. 747+00.00 TO STA. 750+00.00

F.A.I. RTE.	SECTION	COUNTY	TOTAL SHEETS	SHEET NO.
74	HSIP FY2012-1	CHAMPAIGN	160	155
CONTRACT NO. 70956			ILLINOIS FED. AID PROJECT	

DATE	
BY	
SURVEYED	
NOTED	
TEMPLATE	
AREAS	
AREAS CHECKED	
NO.	

DATE	
BY	
SURVEYED	
NOTED	
TEMPLATE	
AREAS	
AREAS CHECKED	
NO.	



FILE NAME =
#FILE#

USER NAME = #USER#
DESIGNED -
DRAWN -
PLOT SCALE = #SCALE#
CHECKED -
PLOT DATE = #DATE#
DATE -

REVISED -
REVISED -
REVISED -
REVISED -

STATE OF ILLINOIS
DEPARTMENT OF TRANSPORTATION

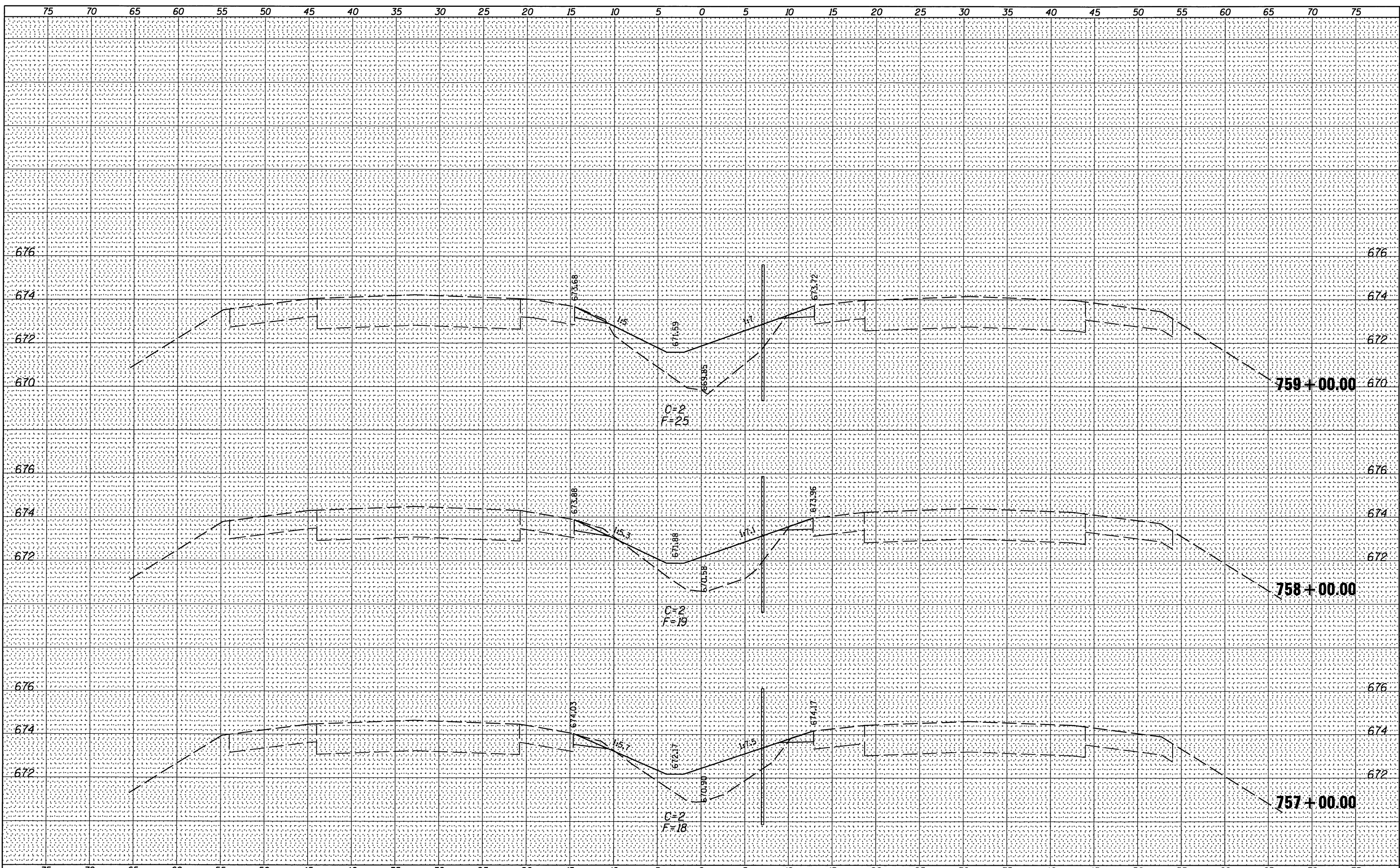
FAI 74 CROSS SECTIONS

SCALE: SHEET NO. 114 OF 118 SHEETS STA. 751+00.00 TO STA. 753+00.00

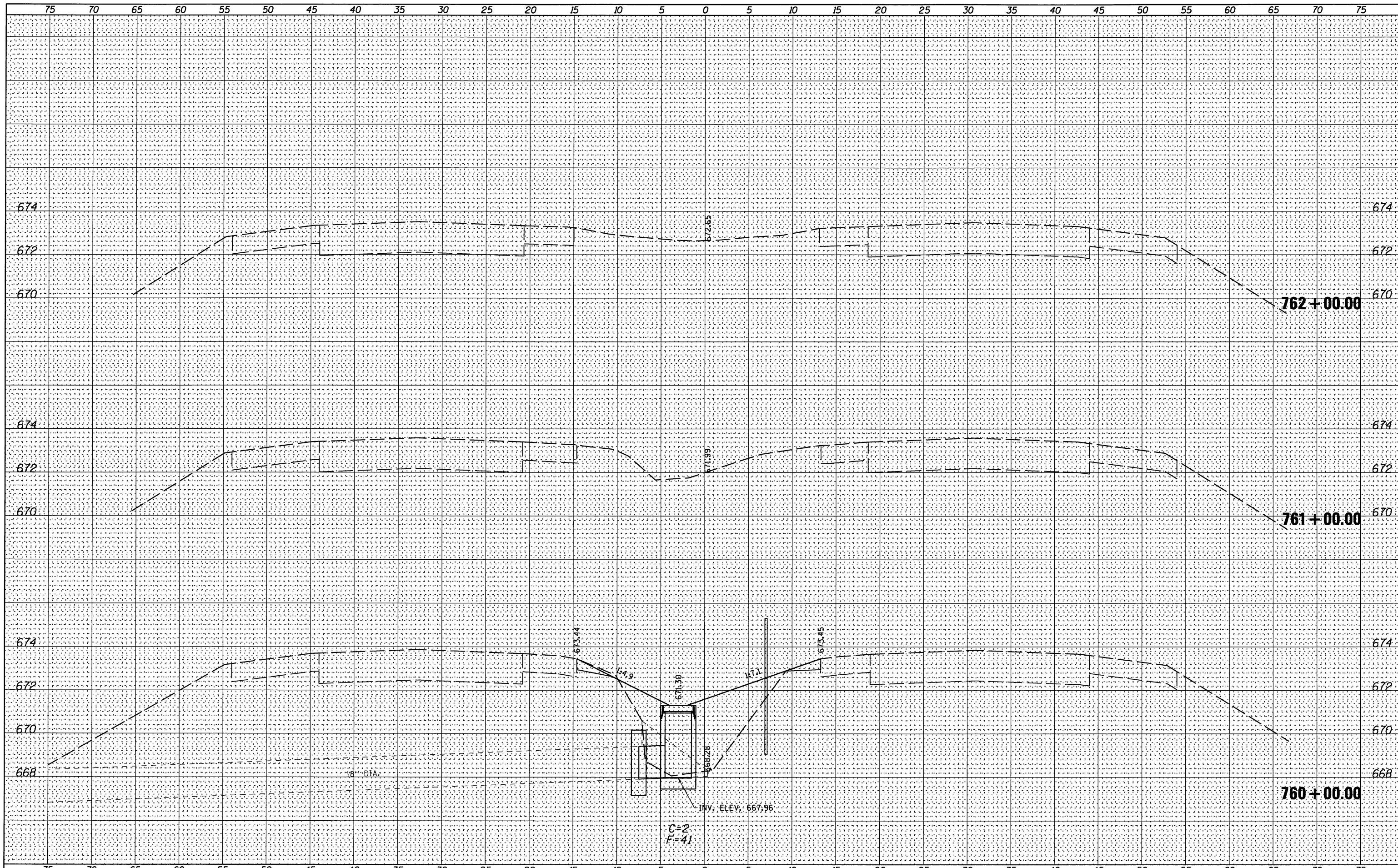
F.A.I. RTE. 74	SECTION HSIP FY2012-1	COUNTY CHAMPAIGN	TOTAL SHEETS 160	SHEET NO. 156
CONTRACT NO. 70956			ILLINOIS FED. AID PROJECT	

FINAL SURVEY	DATE
PLOTTED	
NOTE BOOK	
AREAS CHECKED	
NO.	

ORIGINAL SURVEY	DATE
PLOTTED	
NOTE BOOK	
AREAS CHECKED	
NO.	



FILE NAME =	USER NAME = *USER*	DESIGNED -	REVISED -	STATE OF ILLINOIS DEPARTMENT OF TRANSPORTATION	FAI 74 CROSS SECTIONS			F.A.1	SECTION	COUNTY	TOTAL SHEETS	SHEET NO.
FILEL		DRAWN -	REVISED -		74	HSIP FY2012-1	CHAMPAIGN	160	158			
		CHECKED -	REVISED -		SCALE: SHEET NO. 116 OF 118 SHEETS STA. 757+00.00 TO STA. 759+00.00			CONTRACT NO. 70956				
		DATE -	REVISED -		ILLINOIS FED. AID PROJECT							



BY	DATE
DESIGNED	
DRAWN	
CHECKED	
DATE	
NO.	

BY	DATE
DESIGNED	
DRAWN	
CHECKED	
DATE	
NO.	

FILE NAME =
 #FILE#

USER NAME = #USER#
 DESIGNED -
 DRAWN -
 CHECKED -
 DATE -

REVISED -
 REVISED -
 REVISED -
 REVISED -

DESIGNED -
 DRAWN -
 CHECKED -
 DATE -

**STATE OF ILLINOIS
 DEPARTMENT OF TRANSPORTATION**

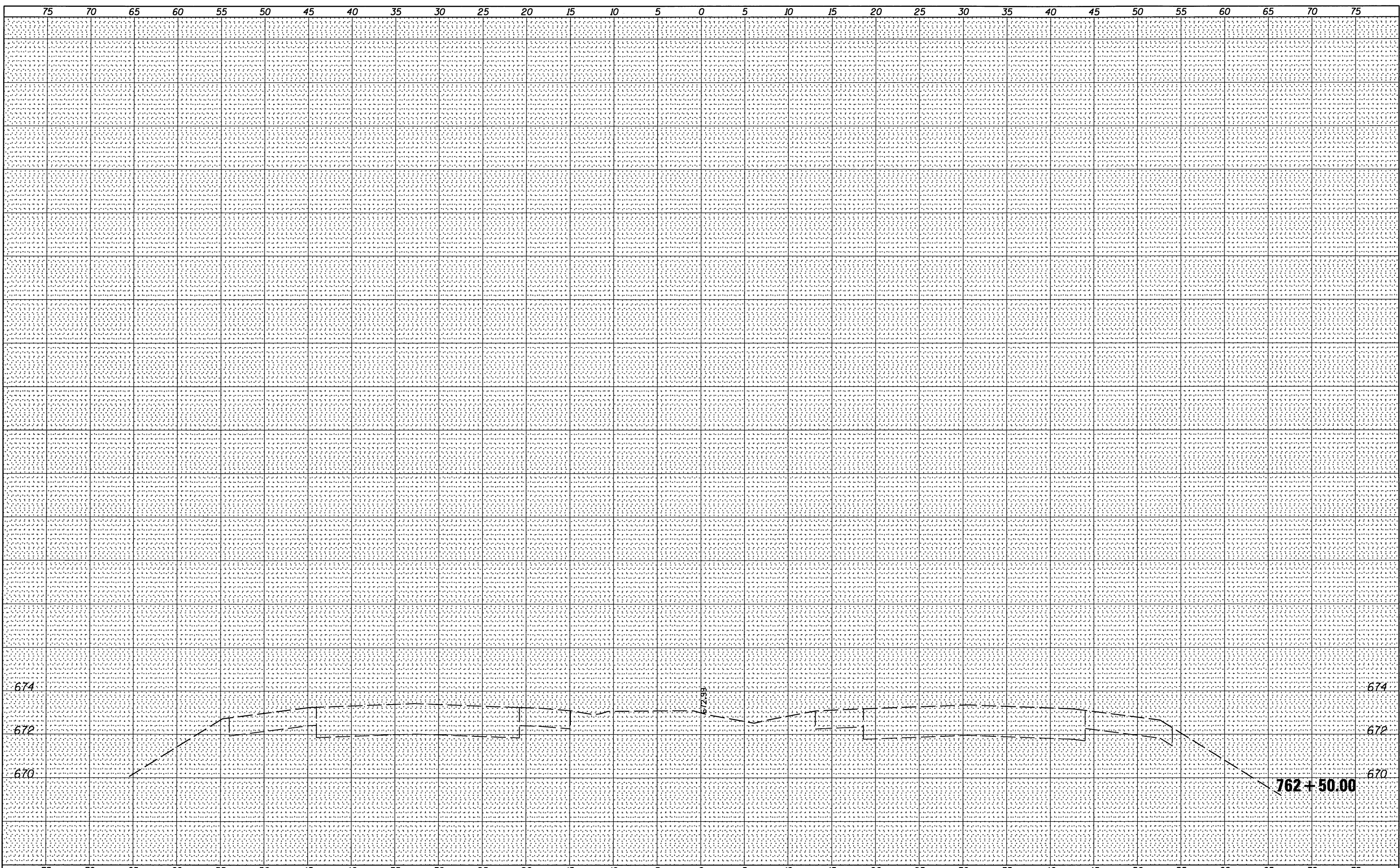
FAI 74 CROSS SECTIONS

SCALE: SHEET NO. 117 OF 118 SHEETS STA. 760+00.00 TO STA. 762+00.00

F.A.I. RTE. 74	SECTION HSIP FY2012-1	COUNTY CHAMPAIGN	TOTAL SHEETS 160	SHEET NO. 159
			CONTRACT NO. 70956	
ILLINOIS FED. AID PROJECT				

FINAL SURVEY	DATE
SURVEYED	BY
PLOTTED	
NOTE BOOK	
NO.	
AREAS CHECKED	

ORIGINAL SURVEY	DATE
SURVEYED	BY
PLOTTED	
NOTE BOOK	
NO.	
AREAS CHECKED	



FILE NAME =	USER NAME = *USER*	DESIGNED -	REVISED -	STATE OF ILLINOIS DEPARTMENT OF TRANSPORTATION	FAI 74 CROSS SECTIONS			F.A.I. RTE.	SECTION	COUNTY	TOTAL SHEETS	SHEET NO.
FILEL		DRAWN -	REVISED -		74	HSIP FY2012-1	CHAMPAIGN	160	160			
		CHECKED -	REVISED -		SCALE:	SHEET NO. 118 OF 118 SHEETS	STA. 762+50.00 TO STA. 762+50.00	ILLINOIS FED. AID PROJECT				
		DATE -	REVISED -									