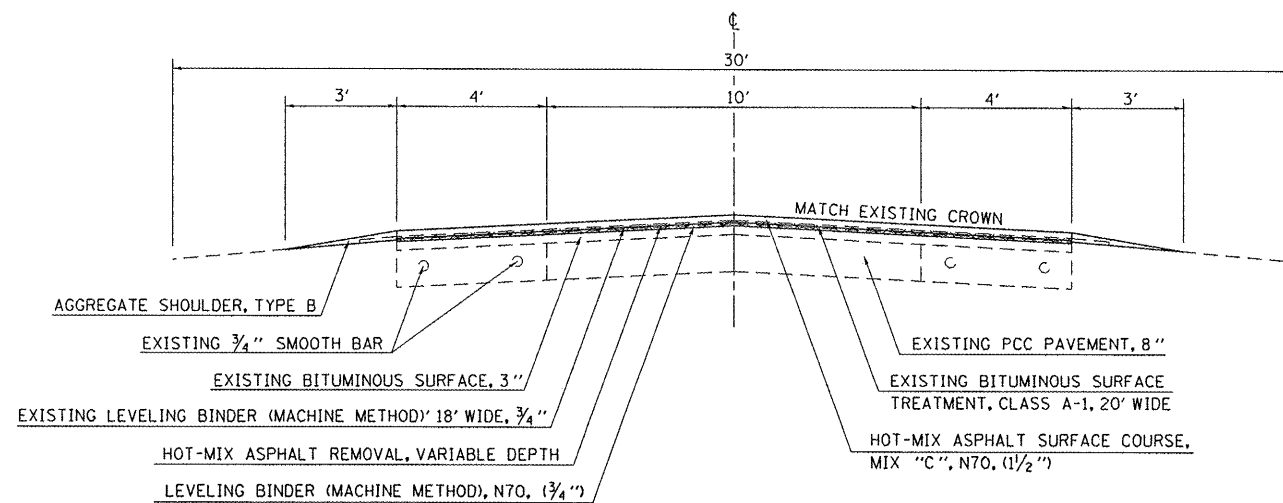


PROPOSED TYPICAL CROSS SECTION

STA. 62+16 TO STA. 73+98

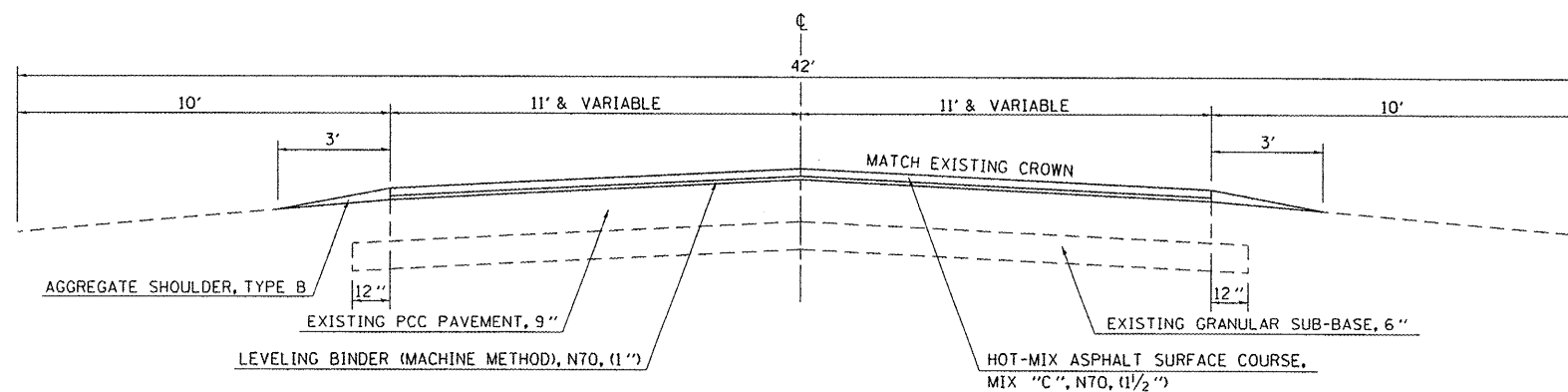


NOTE: NOT DRAWN TO SCALE

HOT-MIX ASPHALT REMOVAL, VARIABLE DEPTH

PROPOSED TYPICAL CROSS SECTION

STA. 73+98 TO STA. 79+85



NOTE: NOT DRAWN TO SCALE

FILE NAME =	USER NAME = administrator	DESIGNED -	REVISED -
c:\pw-work\pwidot\stefhenk\d0270542\074533-shr-typicals.dgn		DRAWN -	REVISED -
PLOT SCALE = 100.0000' / 1"		CHECKED -	REVISED -
PLOT DATE = 12/8/2011		DATE -	REVISED -

STATE OF ILLINOIS
DEPARTMENT OF TRANSPORTATION

TYPICAL CROSS SECTIONS

SCALE: NA SHEET NO. 2 OF 2 SHEETS STA. TO STA.

S.B.I. RTE.	SECTION	COUNTY	TOTAL SHEETS	SHEET NO.
11	D7 HMA RESUR 2012-3	CLARK	11	6
CONTRACT NO. 74533			ILLINOIS FED. AID PROJECT	