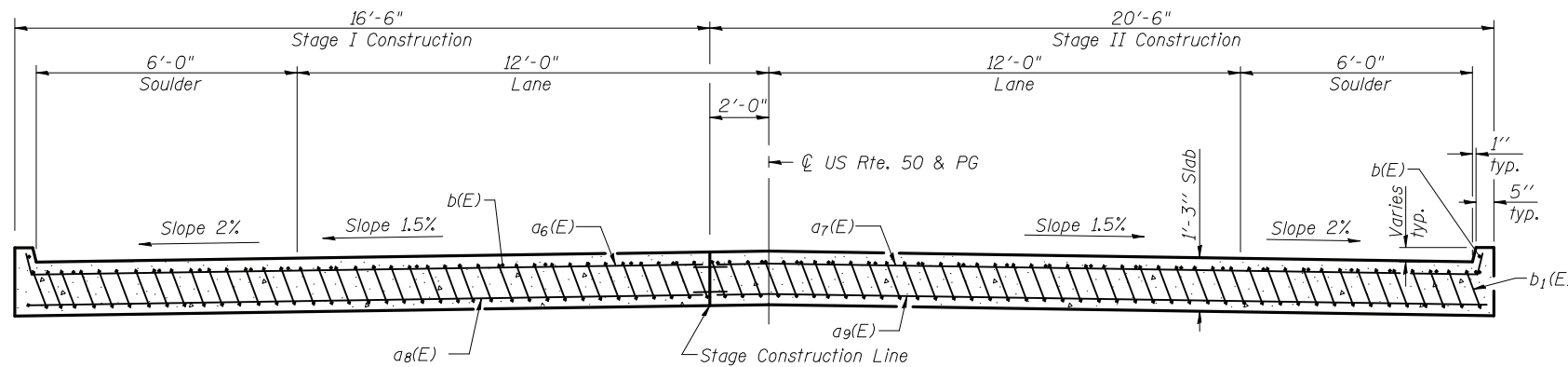
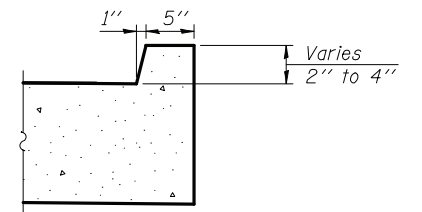
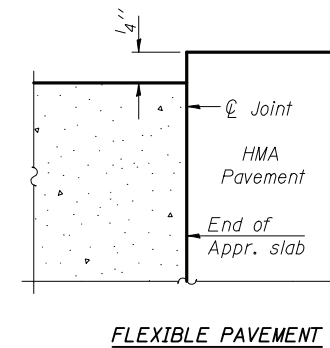


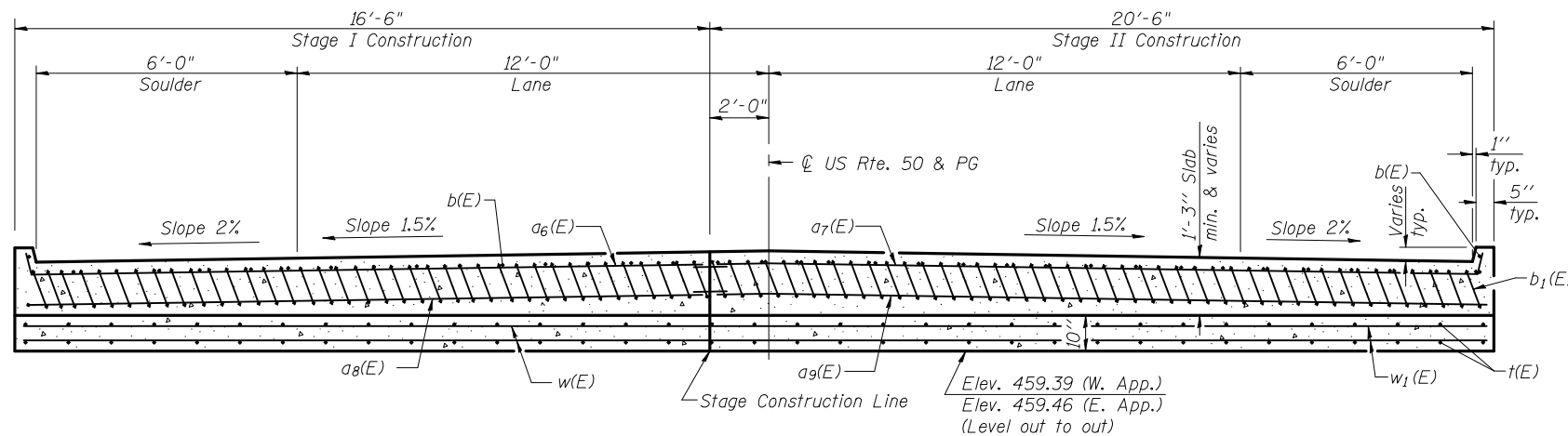
Notes:
 Approach slab concrete shall be paid for as Concrete Superstructure.
 Approach footing concrete shall be paid for as Concrete Structures.
 Reinforcement shall be paid for as Reinforcement Bars, Epoxy Coated.
 For $v_2(E)$ bar details, see sheet 11 of 15.
 The approach footing maximum applied service bearing pressure (Q_{max}) = 2.0 ksf.
 For bar splicer details, see sheet 13 of 15.
 Cost of excavation for approach footing included with Concrete Structures.



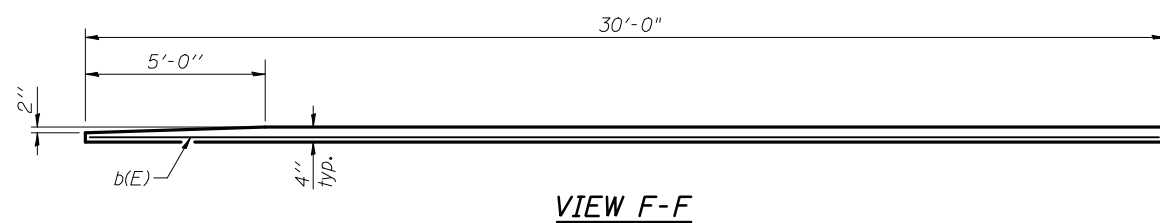
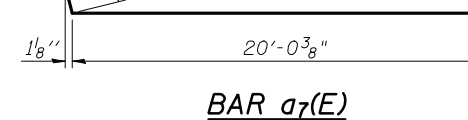
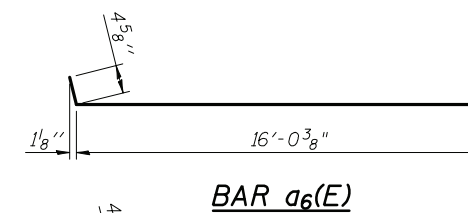
SECTION D-D

* Tilt #9 $b_1(E)$ bars as required to maintain clearance.

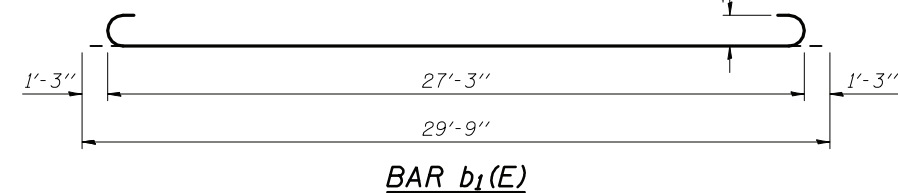
** Cost included with Concrete Superstructure.



SECTION E-E



VIEW F-F



BAR $b_1(E)$

**TWO APPROACHES
 BILL OF MATERIAL**

Bar	No.	Size	Length	Shape
$a_6(E)$	50	#4	16'-5"	U
$a_7(E)$	50	#4	20'-5"	U
$a_8(E)$	92	#5	16'-2"	—
$a_9(E)$	92	#5	20'-2"	—
$b(E)$	66	#4	29'-8"	—
$b_1(E)$	180	#9	29'-9"	U
$t(E)$	160	#4	9'-8"	—
$w(E)$	80	#5	16'-2"	—
$w_1(E)$	80	#5	20'-2"	—
Concrete Superstructure			Cu. Yd.	112.0
Concrete Structures			Cu. Yd.	22.8
Reinforcement Bars, Epoxy Coated			Pound	28,300
Bar Splicers			Each	222