

STATE OF ILLINOIS
DEPARTMENT OF TRANSPORTATION

ROUTE NO.	SECTION	EMPHASIS	DATE	POST	SHEET NO. 1
US 50		CLINTON			2 SHEETS
FED. ROAD DIST. NO. 7	SECTION	FED. AID PROJECT			

Contract Number:

GENERAL NOTES

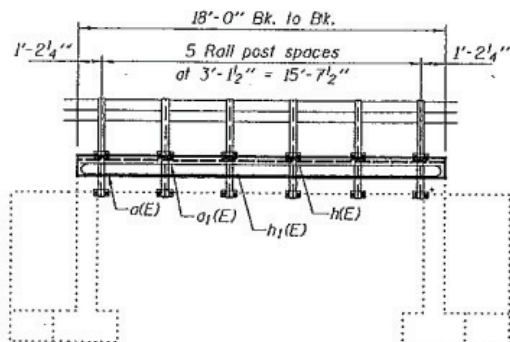
Plan dimensions and details relative to existing plans are subject to routine variations. The Contractor shall field verify existing dimensions and details affecting new construction and make necessary approved adjustments prior to construction or ordering of materials. Such variations shall not be cause for additional compensation for a change in scope of the work, however, the Contractor will be paid for the quantity actually furnished based upon the unit price bid for the work.

Reinforcement bars shall conform to the requirements of ASTM A 706 Gr 60 (IL Modified). See Special Provisions.

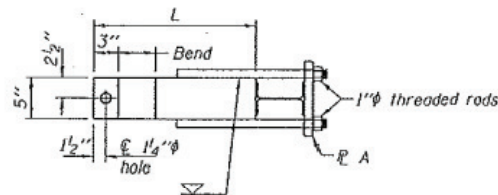
Reinforcement bars designated (E) shall be epoxy coated.

The deck surface shall have its final finish lined according to Article 420.09(e)(1) of the Standard Specifications. Cost included with Concrete Superstructure.

All plates, threaded rods and nuts shall be galvanized according to Article 509.05 of the Standard Specifications.



LONGITUDINAL SECTION



SECTION A-A

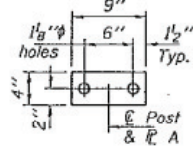
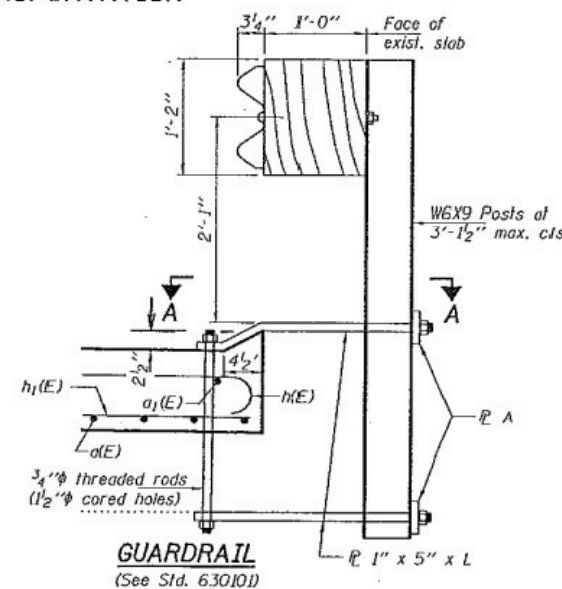
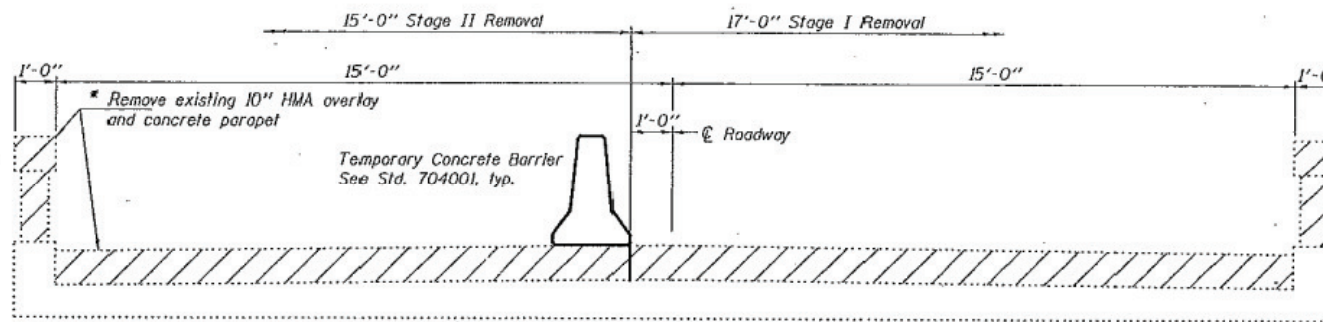
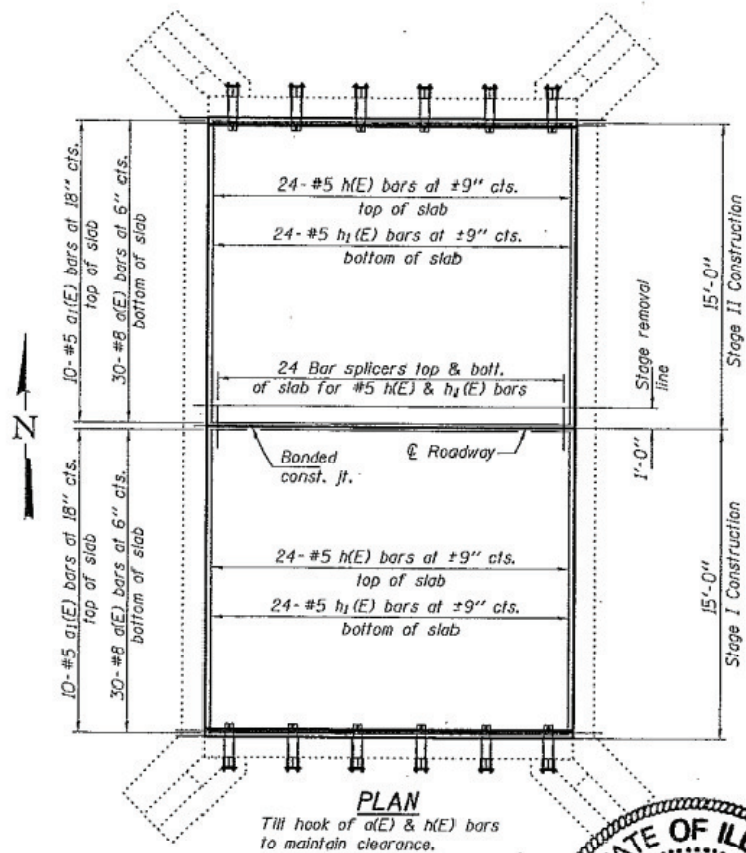


PLATE A

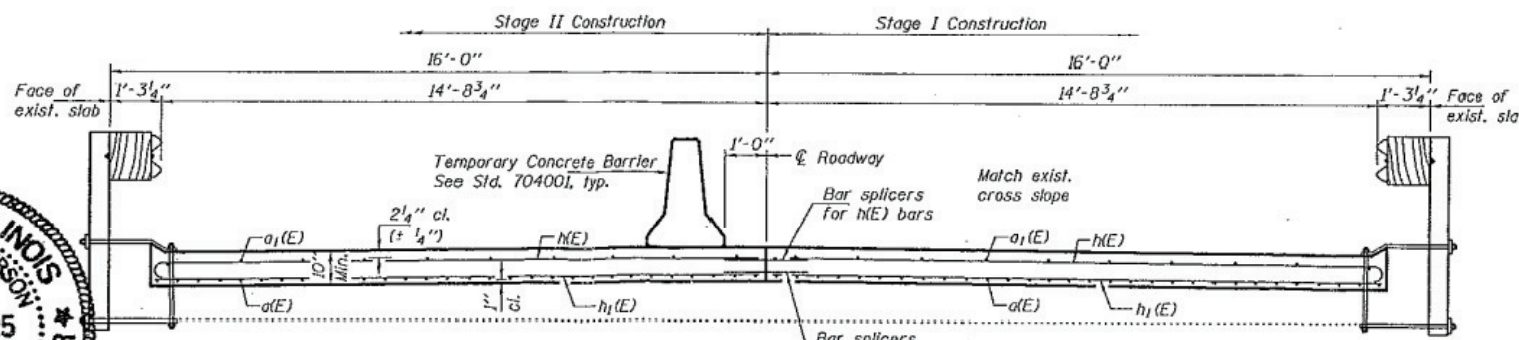


GUARDRAIL
(See Std. 630101)



EXISTING CROSS SECTION
(Looking East)

Hatched areas indicate removal
* Remove the existing wearing surface and concrete parapet to the top of the existing slab and replace as shown. Slope to match roadway. Cost of all removal is included with Hot-Mix Asphalt Surface Removal.

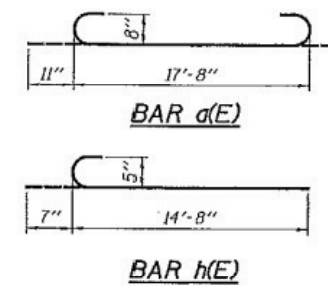


PROPOSED CROSS SECTION
(Looking East)

Note:
Extend existing deck drains through new deck. Place reinforcement to clear drains by 3".

DESIGN STRESSES

FIELD UNITS
f'c = 3,500 psi
fy = 60,000 psi (Reinforcement)



BILL OF MATERIAL

Bar	No.	Size	Length	Shape
a(E)	60	#8	19'-6"	U
a1(E)	20	#5	17'-8"	—
h(E)	48	#5	15'-3"	U
h1(E)	48	#5	14'-8"	—
Bar Splicers	Each		48	
Hot-Mix Asphalt Surface Removal	Sq. Yds.		60.4	
Reinforcement Bars, Epoxy Coated	Pound		4990	
Concrete Superstructure	Cu. Yds.		16.7	
SPBGR Attached to Structure	Foot		36	

SLAB DETAILS

US 50
CLINTON COUNTY
SN 014-0410

DESIGNED: *Victor H. Volpi*
CHECKED: *Paul Boliva*
DRAWN: *boliva*
CHECKED: *VHV*

EXAMINED: *Dr. Carl...*
PASSED: *Ralph E. Anderson*

