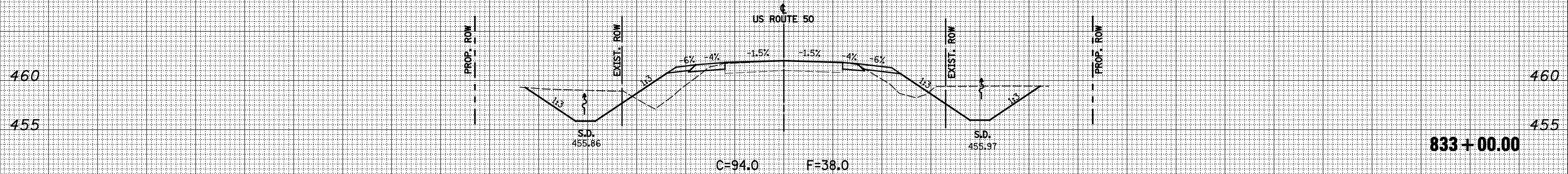
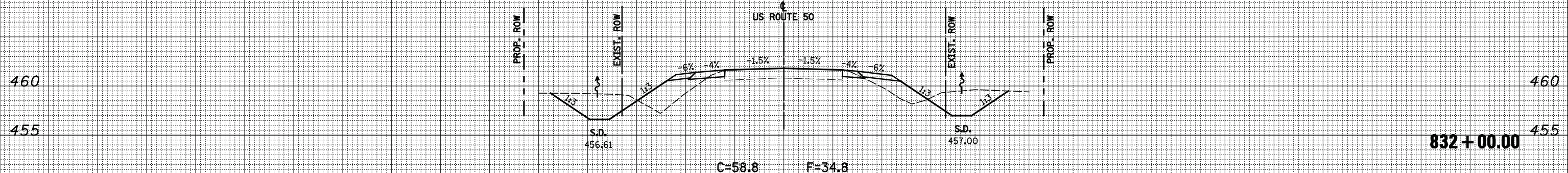
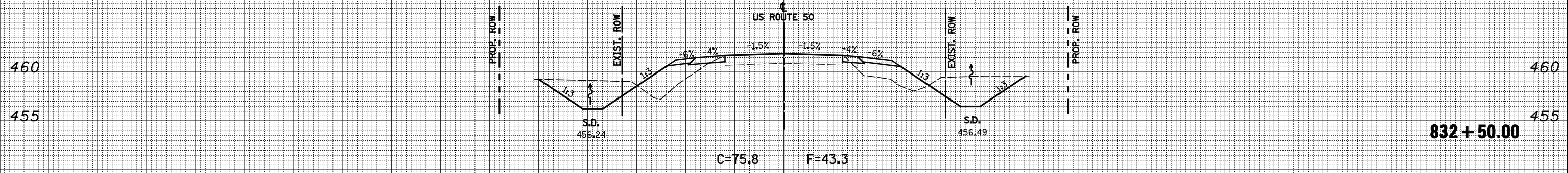


150 140 130 120 110 100 90 80 70 60 50 40 30 20 10 0 10 20 30 40 50 60 70 80 90 100 110 120 130 140 150

DATE	BY	DATE	BY
ORIGINAL SURVEY NO.	DESIGNED - JLS	REVISIONS	REVISIONS
NO.	DRAWN - LEC	REVISED -	REVISED -
	CHECKED - JWS	REVISED -	REVISED -
	DATE - 12-2-10	REVISED -	REVISED -



DATE	BY	DATE	BY
ORIGINAL SURVEY NO.	DESIGNED - JLS	REVISIONS	REVISIONS
NO.	DRAWN - LEC	REVISED -	REVISED -
	CHECKED - JWS	REVISED -	REVISED -
	DATE - 12-2-10	REVISED -	REVISED -



150 140 130 120 110 100 90 80 70 60 50 40 30 20 10 0 10 20 30 40 50 60 70 80 90 100 110 120 130 140 150

FILE NAME =	USER NAME = Paul	DESIGNED - JLS	REVISIONS	REVISIONS	STATE OF ILLINOIS DEPARTMENT OF TRANSPORTATION	CROSS SECTIONS - FAP 327 (US ROUTE 50)		F.A.P. RTE. 327	SECTION 20BR	COUNTY CLINTON	TOTAL SHEETS 51	SHEET NO. 47	
S:\Projects\40-0022-3HY US 50 Final Plans\dgn\CADD Sheets\081643-xahf.dgn		DRAWN - LEC	REVISED -	REVISED -		SCALE: 1"=10'	SHEET NO. 3 OF 7 SHEETS	STA. 832+00.00 TO STA. 833+00.00	CONTRACT NO. 76B43				
PLOT SCALE = 20.0000' / IN.		CHECKED - JWS	REVISED -	REVISED -		FED. ROAD DIST. NO. ILLINOIS FED. AID PROJECT							
PLOT DATE = 11/16/2011		DATE - 12-2-10	REVISED -	REVISED -									