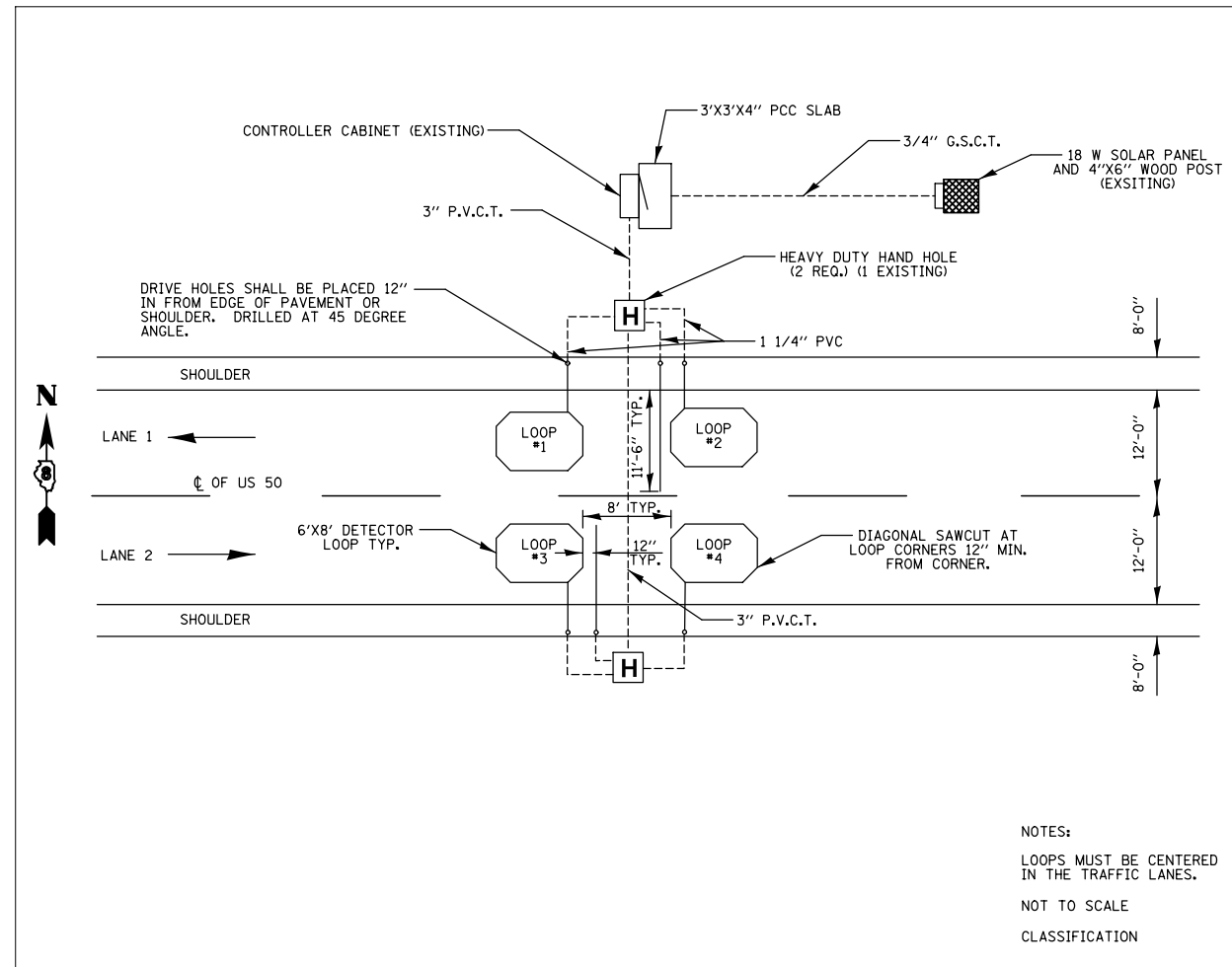


### SCHEDULE OF QUANTITIES

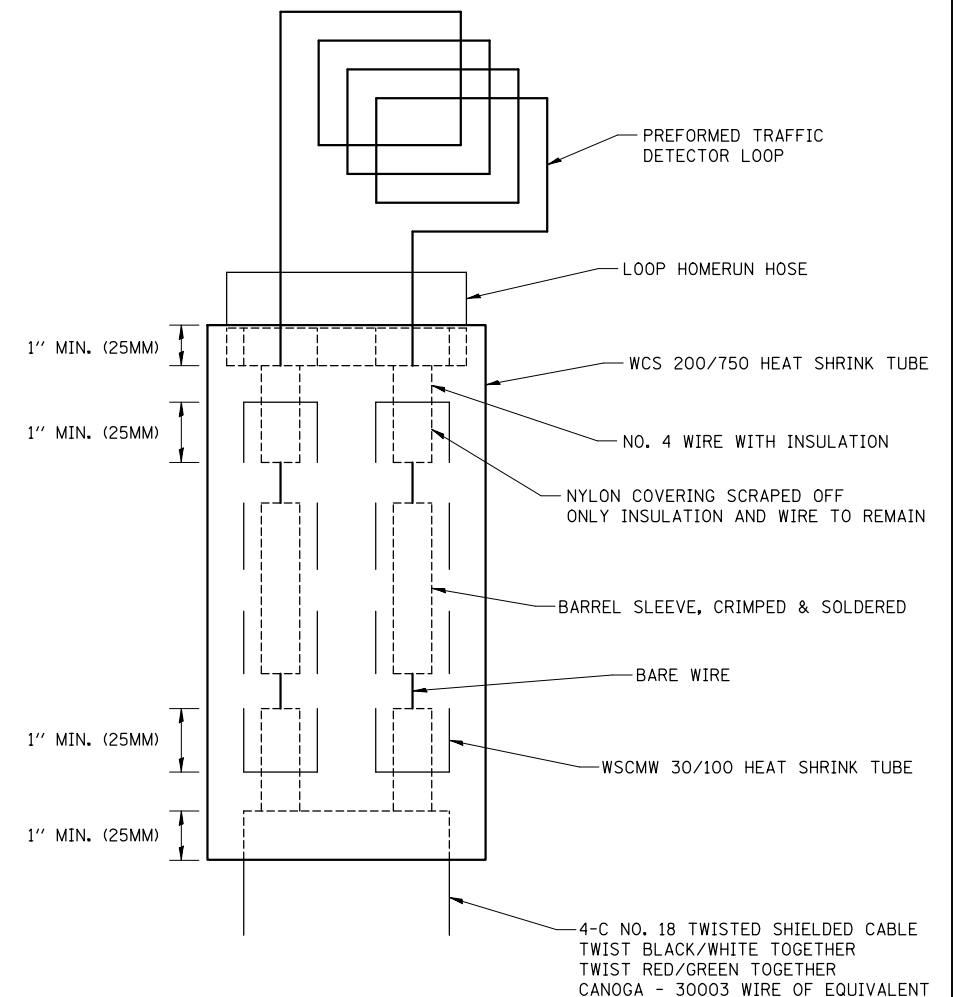
CODE NO.	ITEM	UNIT	QUANTITY
88600100	DETECTOR LOOP, TYPE I	FOOT	96
	2' X 4' X 4" CONCRETE PAD	EACH	1
81400200	HD HANDHOLE	EACH	1
X00323014	ELECTRIC CABLE IN CONDUIT, CONOGA- 30003	LIN. FOOT	424
81021350	CONDUIT PUSHED, 3" DIA., PVC	LIN. FOOT	44
86800100	TRENCH AND BACKFILL	LIN. FOOT	40
81012400	CONDUIT IN TRENCH, 1 1/4" PVC	LIN. FOOT	40
X0323015	PIEZO ELECTRIC AXLE SENSOR, CLASS II	LIN. FOOT	23
87900200	DRILL EXISTING HANDHOLE	EACH	4

LAYOUT FOR ATR 8510  
LOCATION: US 50 (100' EAST OF  
ST. CLAIR/CLINTON COUNTY LINE)

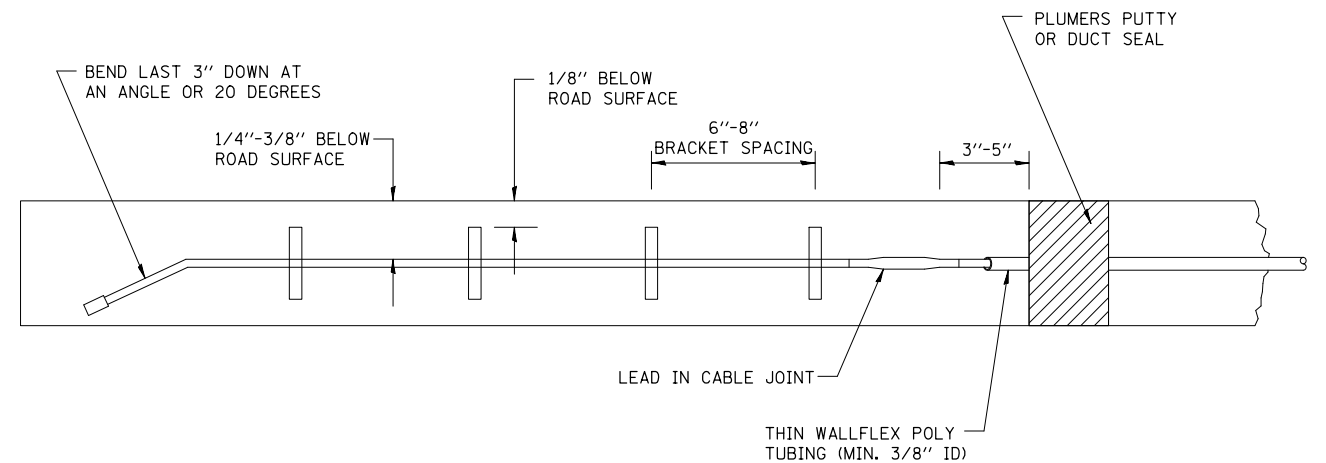


NOTES:  
LOOPS MUST BE CENTERED IN THE TRAFFIC LANES.  
NOT TO SCALE  
CLASSIFICATION

### LOOP SPLICING REQUIREMENTS



MINIMUM 1" (25MM) HEAT SHRINK TUBE OVERLAP ON WIRE. PVC & SHIELDED CABLE TO FORM WATER TIGHT SEAL.



FILE NAME =	USER NAME = milleraj	DESIGNED -	REVISED -
et:\pw\work\p\d01\milleraj\d0119358\d87881-sht-planB.dgn		DRAWN -	REVISED -
PLOT SCALE = 100.0000' / 1in.		CHECKED -	REVISED -
PLOT DATE = 12/23/2011		DATE -	REVISED -

STATE OF ILLINOIS  
DEPARTMENT OF TRANSPORTATION

TRAFFIC COUNTER DETAILS

SCALE: SHEET NO. OF SHEETS STA. TO STA.

F.A.P. RTE.	SECTION	COUNTY	TOTAL SHEETS	SHEET NO.
327	(82-11,14-12)RS-1	*	64	59
CONTRACT NO. 76B81				
FED. ROAD DIST. NO. ILLINOIS FED. AID PROJECT				

ST. CLAIR / CLINTON