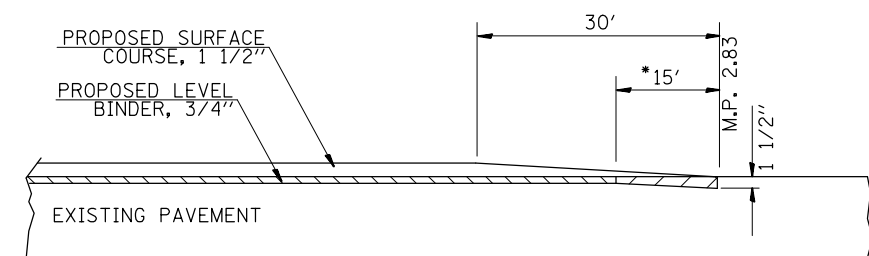
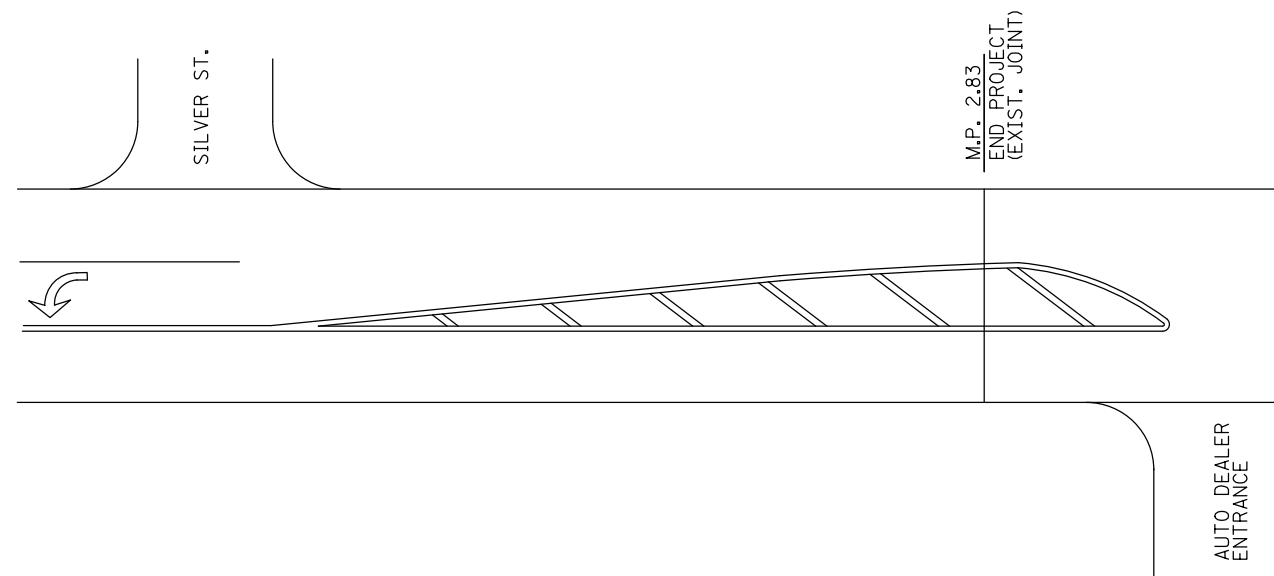


*LIMITS OF 'HMA SURFACE REMOVAL-BUTT JOINT'

BEGIN RESURFACING DETAILS



*LIMITS OF 'HMA SURFACE REMOVAL-BUTT JOINT'

END RESURFACING DETAILS

FILE NAME =	USER NAME = dntelmenjn	DESIGNED -	REVISED -
et:\pw\work\p\dot\dntelmenjn\1\d0260347	d876e95-sh-t-plan.dgn	DRAWN -	REVISED -
	PLOT SCALE = 100.0000' / in.	CHECKED -	REVISED -
	PLOT DATE = 12/14/2011	DATE -	REVISED -

**STATE OF ILLINOIS
DEPARTMENT OF TRANSPORTATION**

RESURFACING DETAILS			
SCALE:	SHEET NO.	OF SHEETS	STA. TO STA.

F.A.P. RTE.	SECTION	COUNTY	TOTAL SHEETS	SHEET NO.
779/42	(36-2)RS-3,139-1RS-2	BOND	16	15
CONTRACT NO. 76E95				
FED. ROAD DIST. NO. ILLINOIS FED. AID PROJECT				