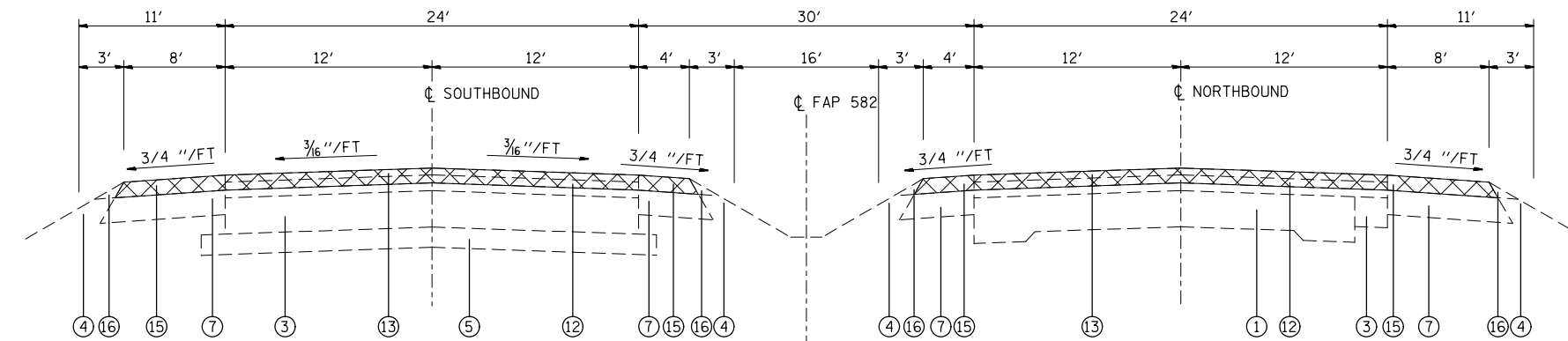
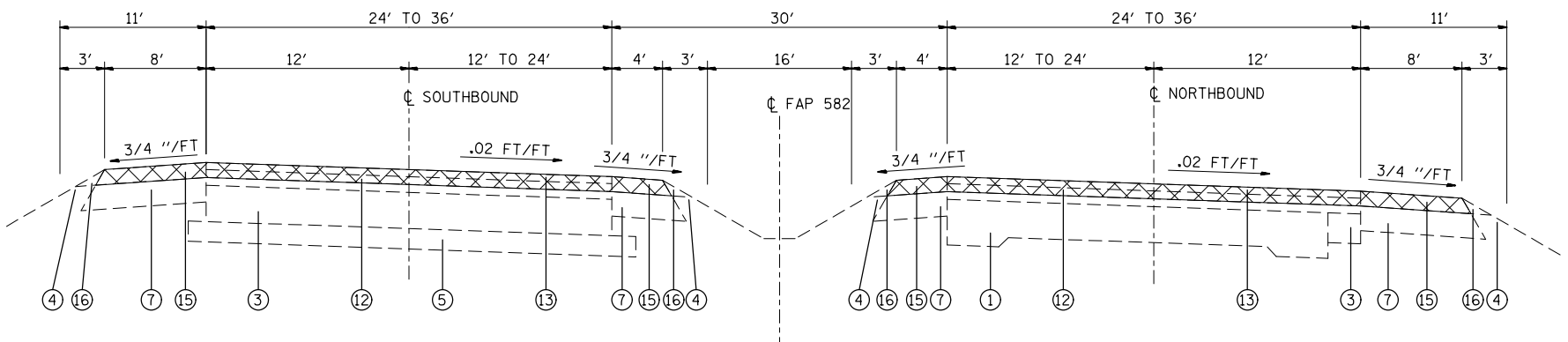


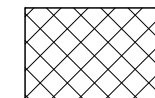
TYPICAL SECTION
STA. 104+35 TO STA. 126+50



TYPICAL SECTION
STA. 126+50 TO STA. 153+15.65
STA. 175+10.72 TO STA. 183+95.69



TYPICAL SECTION
STA. 153+15.65 TO STA. 175+10.72



HMA SURFACE REMOVAL 2 1/4"

LEGEND

- ① EXISTING P.C.C. PAVEMENT 10"-8"-10"
- ② EXISTING CURB & GUTTER, TYPE B-6.06
- ③ EXISTING P.C.C. PAVEMENT CONCRETE BASE COURSE 9"
- ④ EXISTING TURF SHOULDER
- ⑤ EXISTING SUB-BASE GRANULAR MATERIAL 6"
- ⑥ EXISTING CONCRETE MEDIAN SURFACE 4"
- ⑦ EXISTING SHOULDERS (STABILIZED)
- ⑧ EXISTING STANDARD REINFORCED JOINTED P.C.C. PAVEMENT 10"
- ⑨ EXISTING CONCRETE CURB & GUTTER, TYPE B-9.24
- ⑩ EXISTING HMA SHOULDERS (6" AND VARIES)
- ⑪ EXISTING LEVELING BINDER (MM) MIX C, TYPE 2, 3/4", 1" AND VARIES
- ⑫ EXISTING LEVELING BINDER (MM) MIX B, TYPE 2, 1 3/4" AND VARIES
- ⑬ EXISTING HMA CONCRETE SURFACE COURSE, MIX D, CLASS I, TYPE 2, 1 1/2"
- ⑭ EXISTING HMA CONCRETE PAVEMENT (FULL DEPTH), TYPE 2, 13 1/4"
- ⑮ EXISTING HMA SHOULDERS (VARIES 1 1/2" TO 6 1/2")
- ⑯ EXISTING AGGREGATE SHOULDERS, TYPE B

FILE NAME =	USER NAME = millerraj	DESIGNED -	REVISED -
et:\pw\work\p\midot\millerraj\02260814\vd876e96-sht-plan.dgn		DRAWN -	REVISED -
	PLOT SCALE = 100.0000' / 1".	CHECKED -	REVISED -
	PLOT DATE = 12/16/2011	DATE -	REVISED -

STATE OF ILLINOIS
DEPARTMENT OF TRANSPORTATION

EXISTING TYPICAL SECTIONS

SCALE: SHEET NO. OF SHEETS STA. TO STA.

F.A.P. RTE.	SECTION	COUNTY	TOTAL SHEETS	SHEET NO.
582	(6-3, 6-1)RS-3	MADISON	66	9
CONTRACT NO. 76E96				
FED. ROAD DIST. NO. ILLINOIS FED. AID PROJECT				