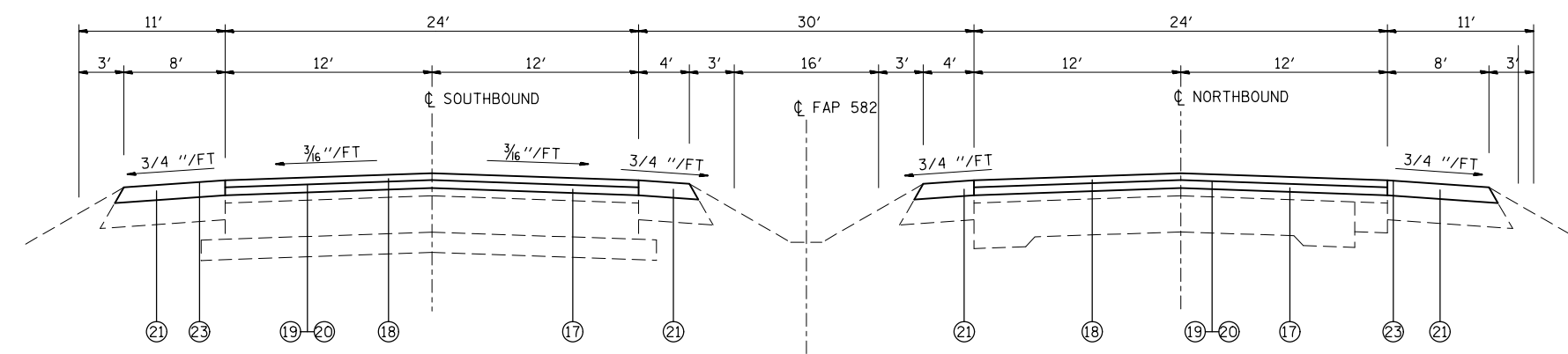
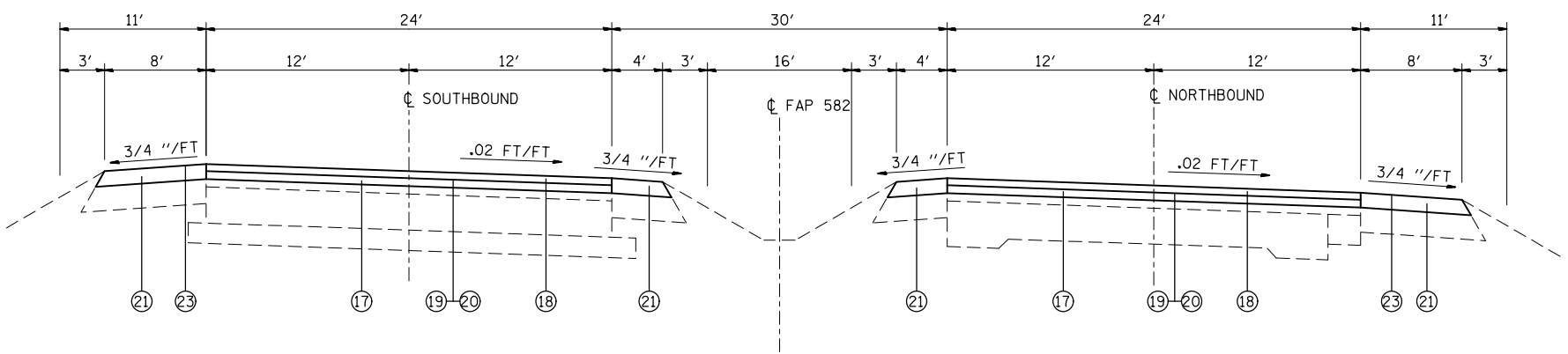


TYPICAL SECTION
 STA. 104+35 TO STA. 126+50
 *STA. 107+92.24 TO STA. 114+19.14



TYPICAL SECTION
 STA. 126+50 TO STA. 153+15.65
 STA. 175+10.72 TO STA. 183+95.69



TYPICAL SECTION
 STA. 153+15.65 TO STA. 175+10.72

- LEGEND**
- ⑰ PROPOSED POLY-LEVELING BINDER (MM) N50, 3/4"
 - ⑱ PROPOSED POLY-HMA SURFACE COURSE, MIX E, N90, 1 1/2"
 - ⑲ PROPOSED BITUMINIOUS MATERIAL (PRIME COAT)
 - ⑳ PROPOSED AGGREGATE (PRIME COAT)
 - ㉑ PROPOSED HMA SHOULDERS 2 1/4"
 - ㉒ PROPOSED AGGREGATE WEDGE SHOULDER
 - ㉓ PROPOSED SHOULDER RUMBLE STRIP

FILE NAME =	USER NAME = milleraj	DESIGNED -	REVISED -
et:\pw\work\p\dot\milleraj\02260814\vd87	6e96-sht-plan.dgn	DRAWN -	REVISED -
	PLOT SCALE = 100.0000' / in.	CHECKED -	REVISED -
	PLOT DATE = 12/16/2011	DATE -	REVISED -

**STATE OF ILLINOIS
 DEPARTMENT OF TRANSPORTATION**

PROPOSED TYPICAL SECTIONS

SCALE:	SHEET NO.	OF	SHEETS	STA.	TO	STA.
--------	-----------	----	--------	------	----	------

F.A.P. RTE.	SECTION	COUNTY	TOTAL SHEETS	SHEET NO.
582	(6-3, 6-1)RS-3	MADISON	66	12
CONTRACT NO. 76E96				
FED. ROAD DIST. NO. ILLINOIS FED. AID PROJECT				