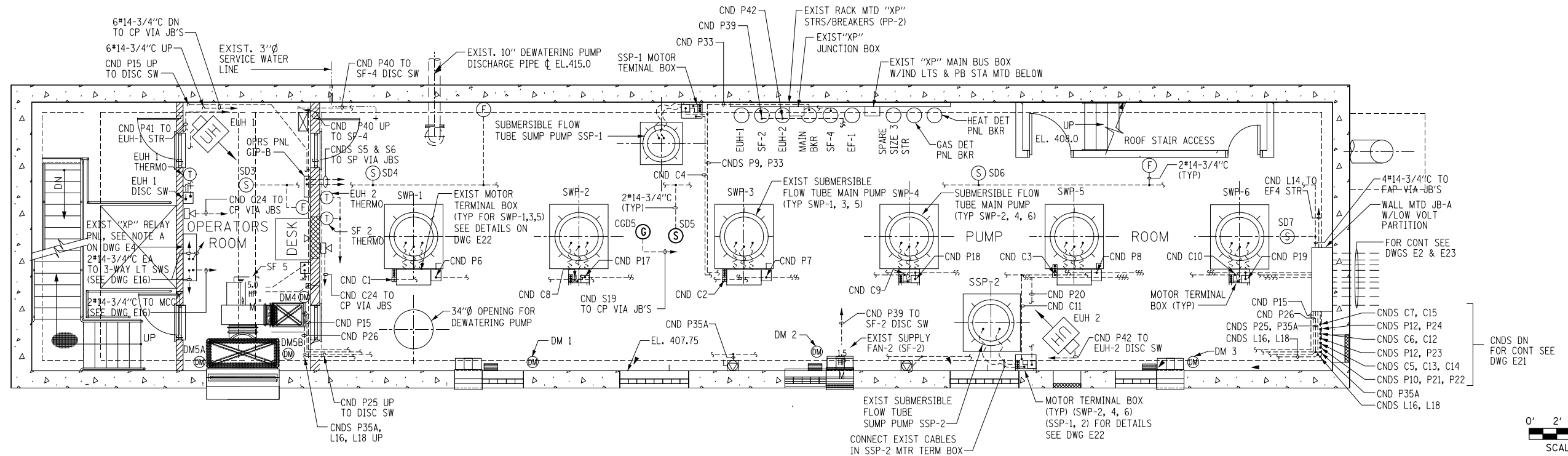


PLAN @ EL. 422.0

GENERAL NOTES:

1. ALL ELECTRICAL INSTALLATION IN THE PUMP STATION INCLUDING SUPERSTRUCTURE, LOWER LEVELS AND STAIRWAYS, SHALL MEET THE REQUIREMENTS OF NEC HAZARDOUS LOCATION CLASS 1, DIVISION 2, GROUP D.
2. THE L PREFIX AS IN L16, L18 ETC. DESIGNATES CONDUIT AND CABLE ROUTED TO LIGHTING PANEL B



**PUMP ROOM
PLAN @ EL. 408.0**

INFORMATION ONLY

FILE NAME =	USER NAME = lewiska	DESIGNED -	REVISED -	STATE OF ILLINOIS DEPARTMENT OF TRANSPORTATION	BOWMAN AVENUE PUMP STATION REHABILITATION ELECTRICAL GAS & SMOKE DETECTOR LOCATIONS SHEET 1	F.A.I. RTE.	SECTION	COUNTY	TOTAL SHEETS	SHEET NO.	
et:\pw\work\p\midot\lewiska\d0286990\d87642-sh1-plan.dgn	PLOT SCALE = 100.0000' / 1in.	DRAWN -	REVISED -			70	82-(1,2)T-19	ST CLAIR	12	10	
	PLOT DATE = 12/22/2011	CHECKED -	REVISED -			SCALE:		SHEET NO. OF SHEETS STA. TO STA.		CONTRACT NO. 76F42	
		DATE -	REVISED -			FED. ROAD DIST. NO.		ILLINOIS FED. AID PROJECT			