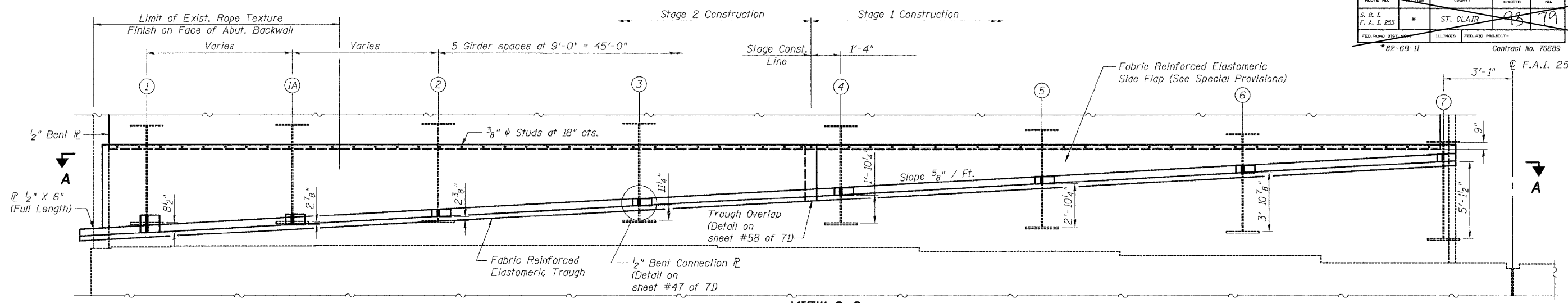
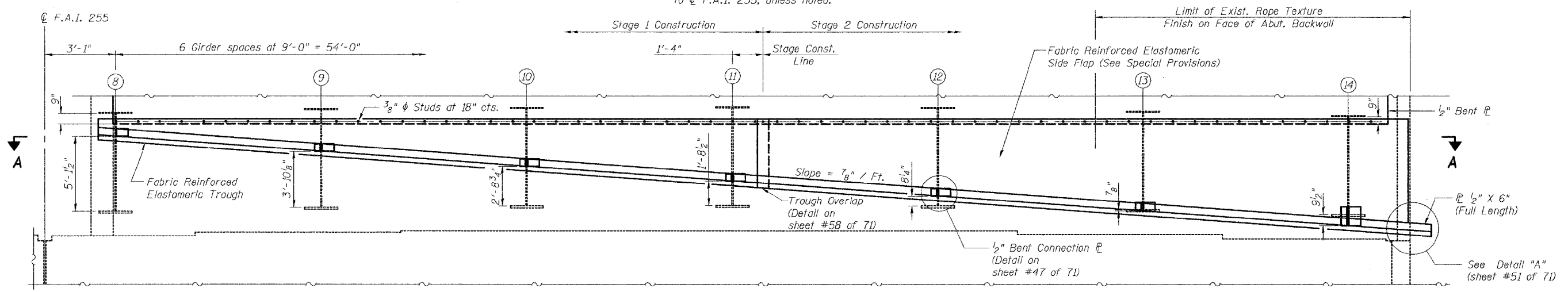


ROUTE NO.	SECTION	COUNTY	TOTAL SHEETS	SHEET NO.
S. B. I.	#	ST. CLAIR	95	71
F. A. I. 255				71 SHEETS
# 82-6B-11		Contract No. 76689		



VIEW G-G
Looking South
Horizontal Dimensions at Rt. L's
to @ F.A.I. 255, unless noted.

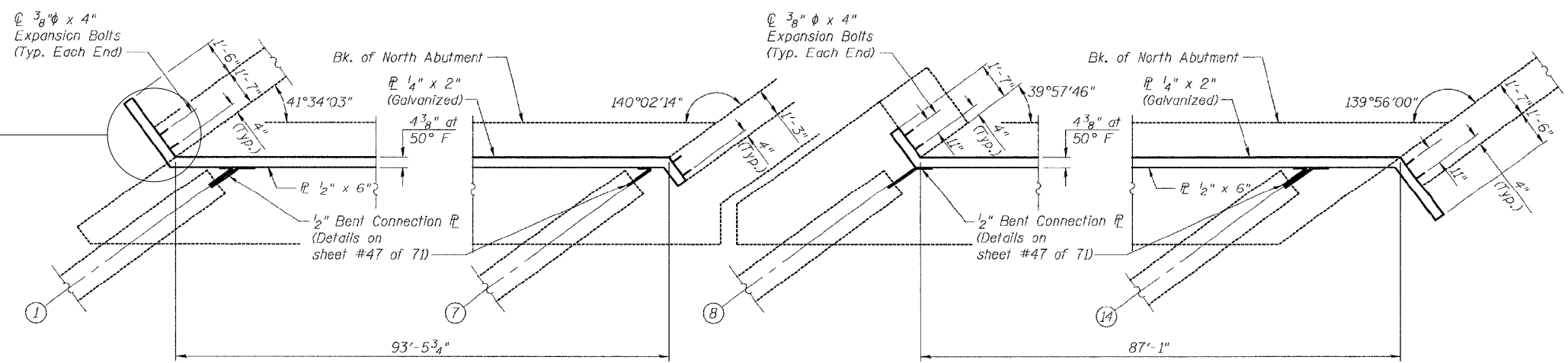


VIEW G-G
Looking South
Horizontal Dimensions at Rt. L's
to @ F.A.I. 255, unless noted.

FOR INFORMATION ONLY

REPAIR DETAIL "H"

Remove outer 40" of the "bent back" portion of the 1/2"x6" trough support plate. (outer corner of each abutment)



SECTION A-A

**TROUGH DETAILS AT
NORTH ABUTMENT
F.A.I. RTE. 255
SECTION 82-6B-11
STATION 556+80.00
ST. CLAIR COUNTY
SN 082-0221**

DESIGNED	ADL/SEB
CHECKED	WLW
DRAWN	SEB
CHECKED	ADL