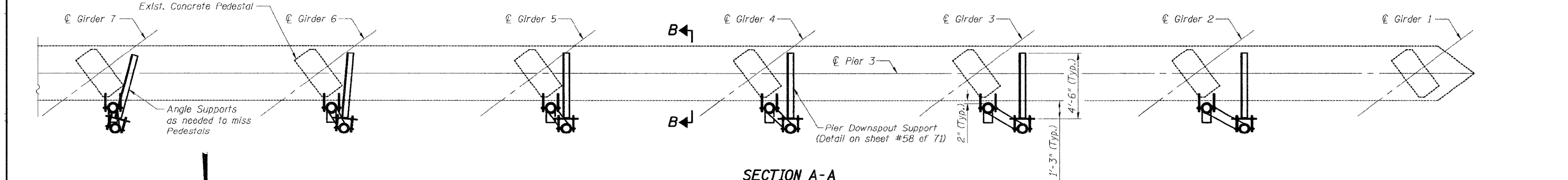


**VIEW G-G**  
Looking South  
Horizontal Dimensions at Rt. L's  
to C.F.A.I. 255, unless noted.



DESIGNED	ADL/SEB
CHECKED	WLW
DRAWN	SEB
CHECKED	ADL



FOR INFORMATION ONLY

**TROUGH DETAILS AT PIER 3**  
F.A.I. RTE. 255  
SECTION 82-6B-11  
STATION 556+80.00  
ST. CLAIR COUNTY  
SN 082-0221

Notes:  
For Section B-B, see sheet #58 of 71.