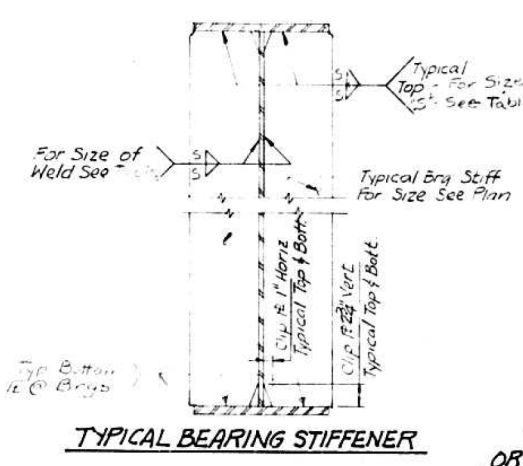
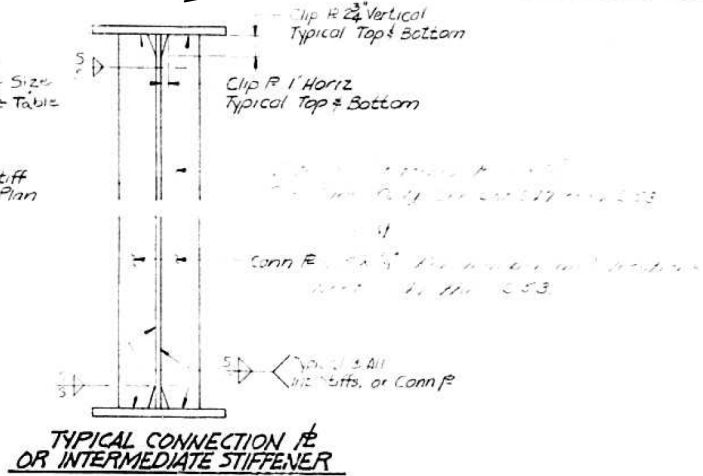


TYPICAL END CROSS FRAMES



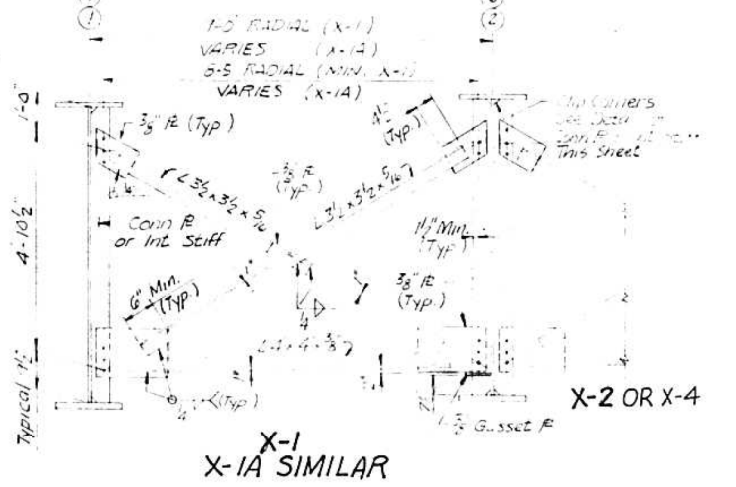
TYPICAL BEARING STIFFENER



TYPICAL CONNECTION FOR INTERMEDIATE STIFFENER

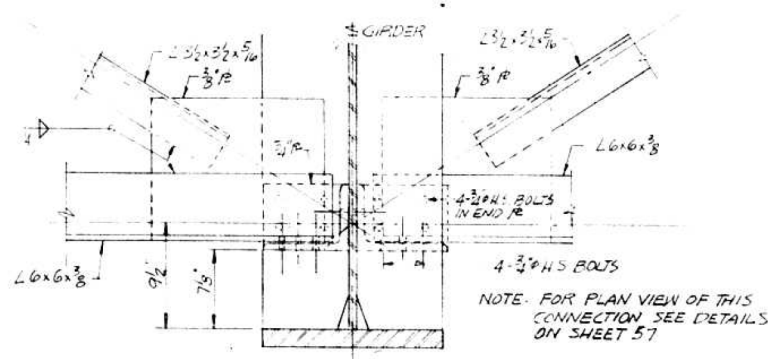
Table of Fillet Weld Size "S"

Thickness of thinnest part joined	Weld Size "S" (inches)
Over 1/4" - 3/8"	1/4"
Over 3/8" - 1/2"	3/16"
Over 1/2" - 2/4"	3/8"
Over 2/4"	1/2"

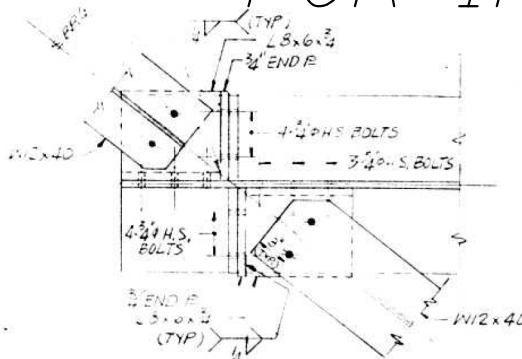


TYPICAL INTERIOR CROSS FRAME DETAILS

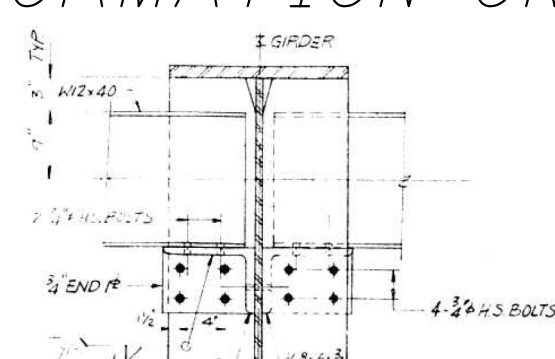
FOR INFORMATION ONLY



VIEW AT BOTTOM FLANGE



PLAN VIEW AT TOP FLANGE



VIEW AT TOP FLANGE

TYPICAL CONNECTIONS OF END CROSS FRAMES
(DETAILS FOR TYPICAL INTERIOR GIRDERS ARE AS SHOWN, THE REMAINING GIRDER DETAILS ARE SIMILAR)

Notes: ... for 3/4 inch ...
 1. All girders and bracing shall be ...
 2. Bolts in welded holes shall be ...
 3. ...
 4. ...
 5. ...

REVISIONS	
Name	Date
Cross Frame	10-26-88
X-3A Ass'd	

STATE OF ILLINOIS
 DEPARTMENT OF TRANSPORTATION
 F.A.I. ROUTE 270
 SECTION 82-6B-1 (REV)
 F.A.I. ROUTE 270 OVER PRAIRIE DUPONT
 DIVERSION CHANNEL AND BLUE WATERS DITCH
STEEL DETAILS-CROSS FRAMES
 County: St. Clair
 Date: _____
 Drawn By: _____
 Checked By: _____
 ENVIRODYNE ENGINEERS INC.
 Chicago, Illinois

DESIGNED - J. Uehle	EXAMINED	DATE - March 9, 2012
CHECKED - B. Williams	ENGINEER OF STRUCTURAL SERVICES	
DRAWN - J. Uehle	PASSED	
CHECKED - B. Williams	ENGINEER OF BRIDGES AND STRUCTURES	

STATE OF ILLINOIS
 DEPARTMENT OF TRANSPORTATION

FOR INFORMATION - 1984 PLANS - CROSSFRAMES
 SN 082-0221
 SHEET NO. 16 OF 16 SHEETS

F.A.I. RTE.	SECTION	COUNTY	TOTAL SHEETS	SHEET NO.
255	82-6B-1	ST. CLAIR	18	18
CONTRACT NO. 76F44				
ILLINOIS FED. AID PROJECT				