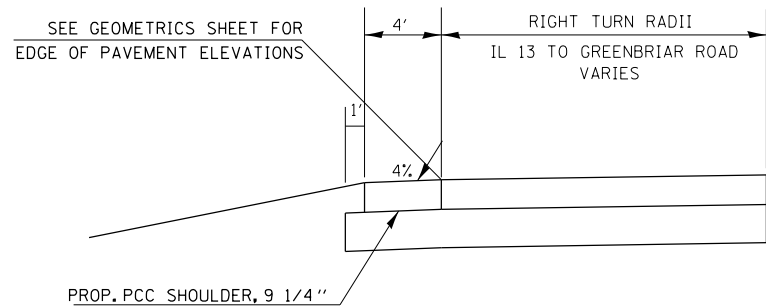
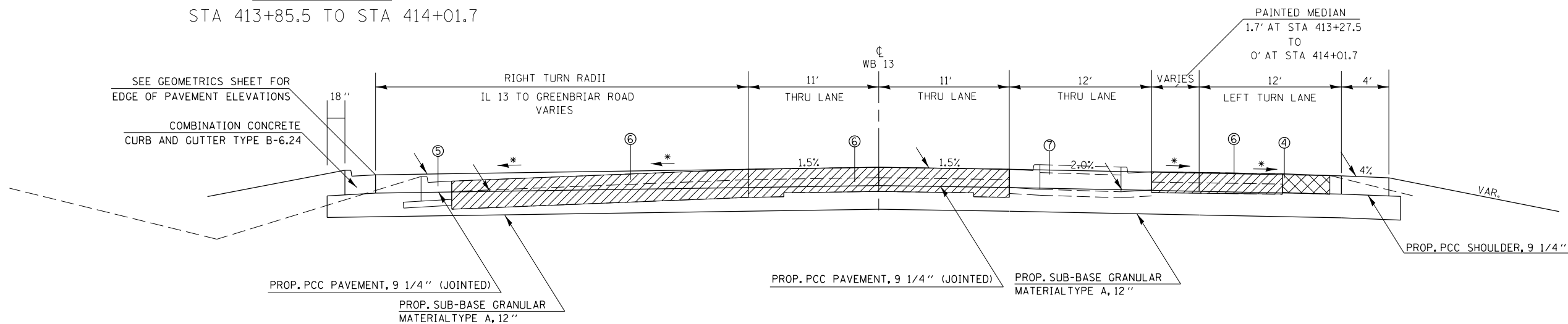


TYPICAL SECTIONS



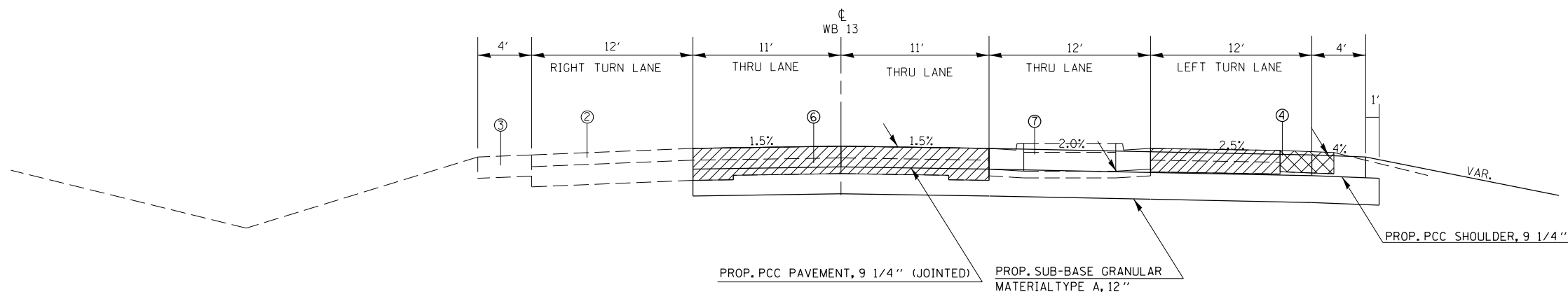
TO BE USED:
STA 413+85.5 TO STA 414+01.7



TO BE USED:
STA 413+27.5 TO STA 414+01.7

- ① EXIST. PCC PAVMENT
- ② EXIST. HOT-MIX PAVEMENT
- ③ EXIST. HOT-MIX ASPHALT SHOULDERS
- ④ PAVED SHOULDER REMOVAL
- ⑤ COMBINATION CURB AND GUTTER REMOVAL
- ⑥ PAVEMENT REMOVAL, 12-1/4"
- ⑦ MEDIAN REMOVAL
- ⑧ HOT-MIX ASPHALT SURFACE REMOVAL, 1-1/2"

* -VARIES SEE GEOMETRICS SHEETS AND CROSS SECTION SHEETS FOR PROPOSED SLOPES



TO BE USED:
STA 414+01.7 TO STA 415+10.6

FILE NAME =	USER NAME = kellekd	DESIGNED -	REVISED -	STATE OF ILLINOIS DEPARTMENT OF TRANSPORTATION	TYPICAL SECTIONS - IL 13 WB			F.A.P. RTE.	SECTION	COUNTY	TOTAL SHEETS	SHEET NO.
et:\pw\work\p\midot\kellekd\0205725\78216-sht-misc.dgn		DRAWN -	REVISED -					331	(1-4R-1,N-3,TS-3	Williamson	220	18
PLOT SCALE = 10.0000' / in.		CHECKED -	REVISED -		CONTRACT NO. 78216			ILLINOIS FED. AID PROJECT				
PLOT DATE = 12/15/2011		DATE -	REVISED -		SCALE:	SHEET	OF	SHEETS	STA.	TO	STA.	