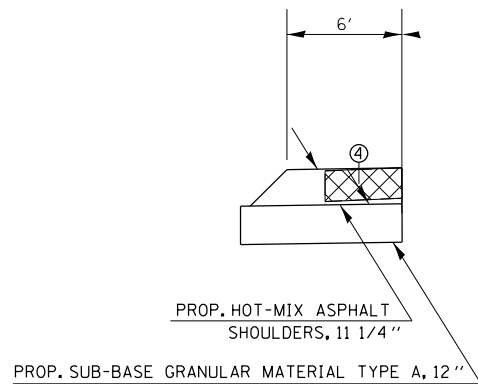
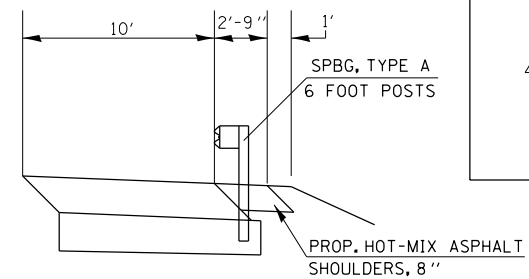


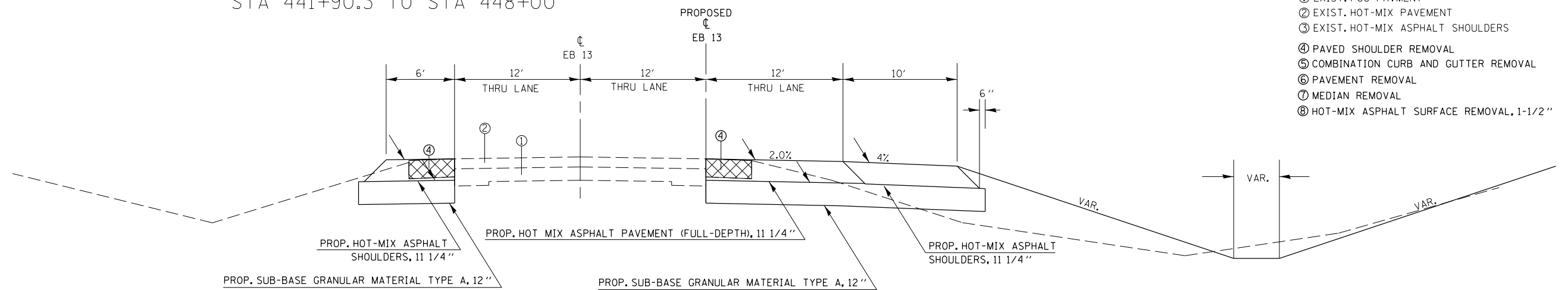
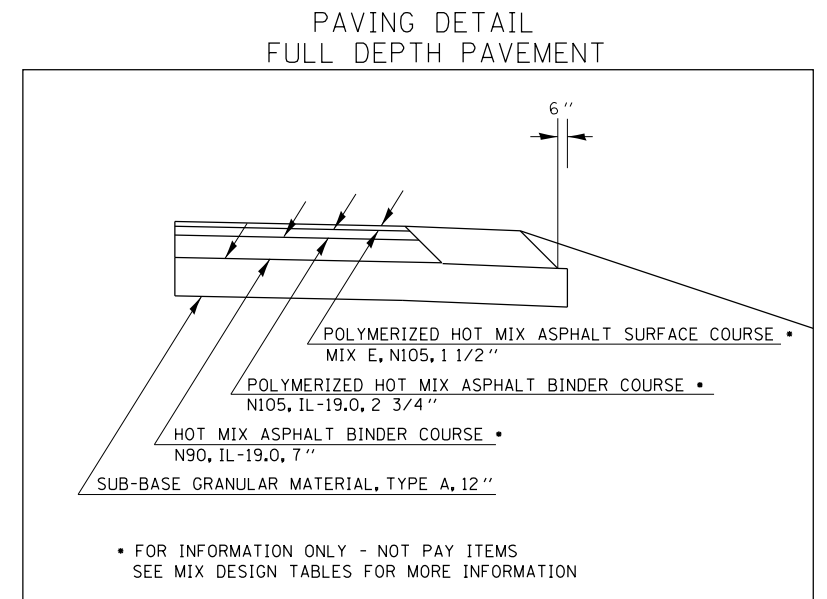
TYPICAL SECTIONS



TO BE USED:
STA 441+90.3 TO STA 448+00



SEE GUARDRAIL SCHEDULE FOR LOCATION



- ① EXIST. PCC PAVMENT
- ② EXIST. HOT-MIX PAVEMENT
- ③ EXIST. HOT-MIX ASPHALT SHOULDERS
- ④ PAVED SHOULDER REMOVAL
- ⑤ COMBINATION CURB AND GUTTER REMOVAL
- ⑥ PAVEMENT REMOVAL
- ⑦ MEDIAN REMOVAL
- ⑧ HOT-MIX ASPHALT SURFACE REMOVAL, 1-1/2"

TO BE USED:
STA 21+59.5 TO STA 30+16.75 (PROPOSED ALIGNMENT)

FILE NAME =	USER NAME = kellekd	DESIGNED -	REVISED -	STATE OF ILLINOIS DEPARTMENT OF TRANSPORTATION	TYPICAL SECTIONS - IL 13 EB			F.A.P. RTE.	SECTION	COUNTY	TOTAL SHEETS	SHEET NO.
et:\pw\work\p\dot\kellekd\0205725\78216-sht-misc.dgn		DRAWN -	REVISED -					331	(1-4)R-1,N-3,TS-3	Williamson	220	24
PLOT SCALE = 10.0000' / in.		CHECKED -	REVISED -		CONTRACT NO. 78216							
PLOT DATE = 12/15/2011		DATE -	REVISED -		ILLINOIS FED. AID PROJECT							
				SCALE:	SHEET	OF	SHEETS	STA.	TO	STA.		