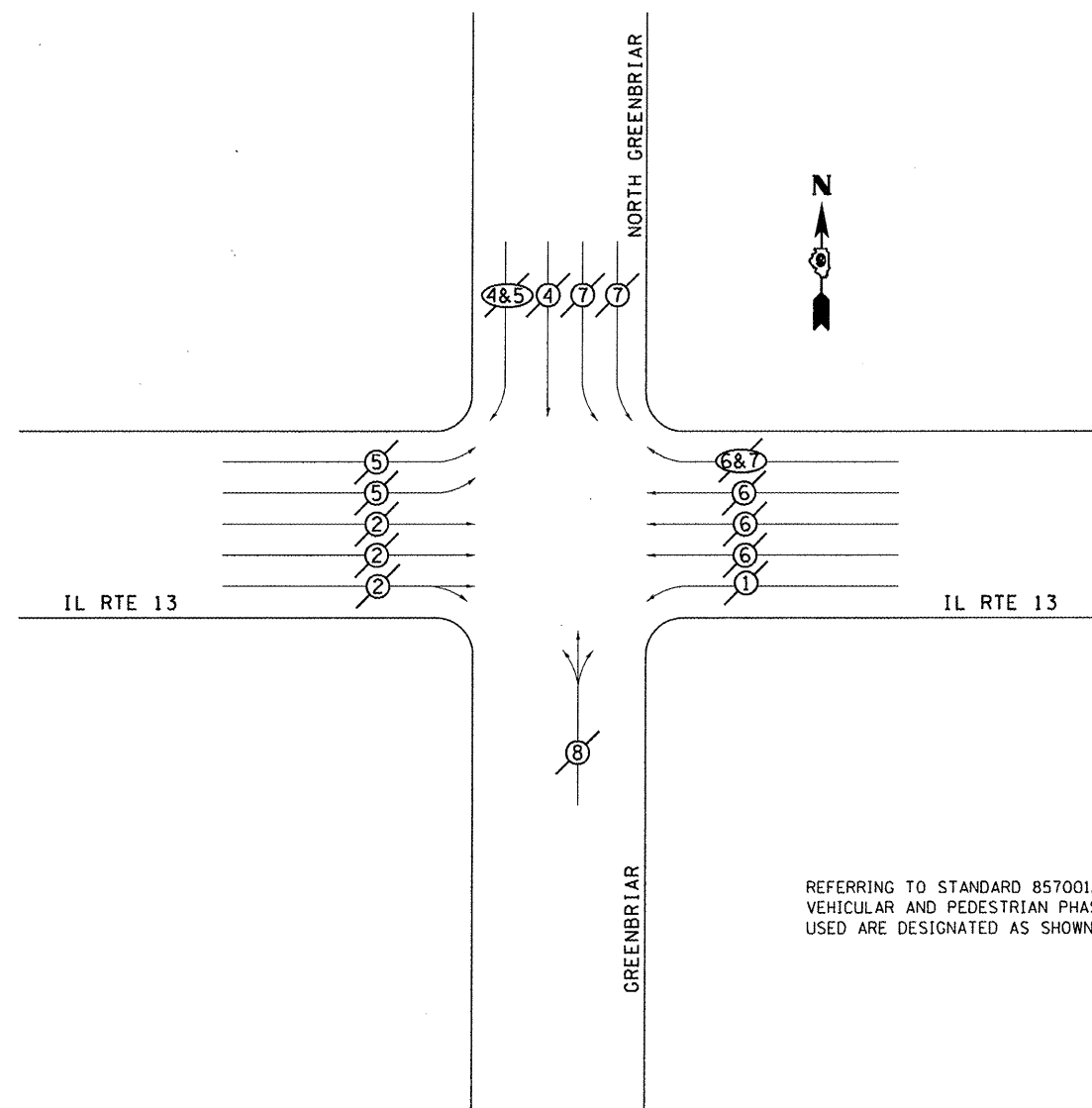


**PHASE DESIGNATION DIAGRAM
IL RTE 13 WITH GREENBRIAR RD**



REFERRING TO STANDARD 857001, THE VEHICULAR AND PEDESTRIAN PHASES USED ARE DESIGNATED AS SHOWN.

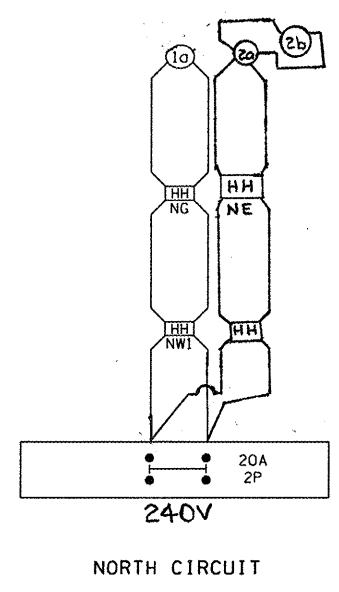
LEGEND

- VEHICULAR MOVEMENT
- PEDESTRIAN MOVEMENT
- NUMBER REFERS TO ASSOCIATED PHASE

REVISIONS	
DRAWN	1-31-90
REVISED	5-30-90
REVISED	12-18-01
REVISED	3-27-08

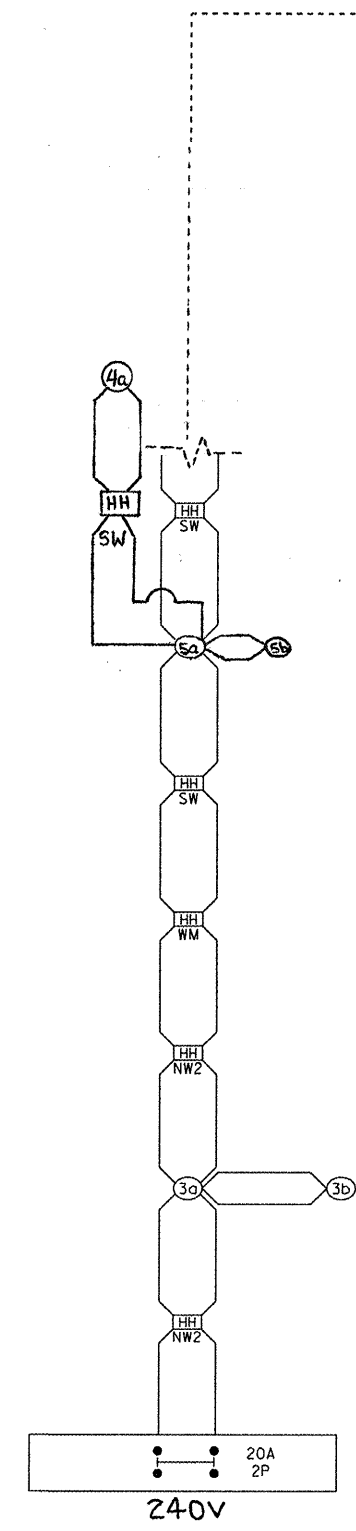
STD. 9-66

**STATE OF ILLINOIS
DEPARTMENT OF TRANSPORTATION**

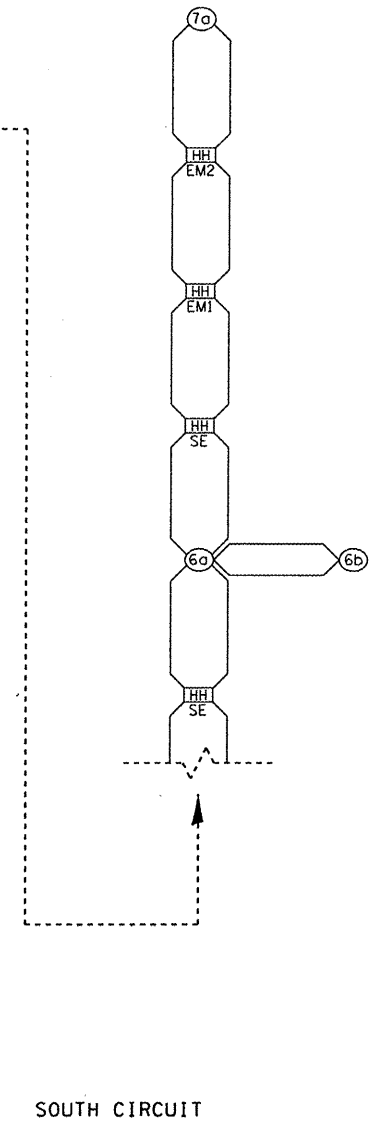


NORTH CIRCUIT

- NW1 NORTHWEST CORNER
STA 412+11.43 77'LT
- NE NORTHEAST CORNER
STA 413+16.52 77'LT
- NG NORTH GREENBRIAR
STA 2+05.17 26'LT



PROPOSED CONTROL INSTALLATION
LIGHTING CONTROLLER, PEDESTAL MOUNTED
60 AMP - 240 VOLT



SOUTH CIRCUIT

- NW2 NORTHWEST CORNER
STA 411+61.12 28'LT
- WM WEST MEDIAN
STA 411+80.66 40'RT
- SW SOUTHWEST CORNER
STA 411+99.59 37'RT
- SE SOUTHEAST CORNER
STA 412+91.91 41'RT
- EM1 EAST MEDIAN
STA 413+19.52 48'RT
- EM2 EAST MEDIAN
STA 414+30.70 42'RT

FILE NAME =	USER NAME = kelleykd	DESIGNED -	REVISED -
ct:\pwwork\pwwork\kelleykd\0205725\782	g-sht-signal.dgn	DRAWN -	REVISED -
PLOT SCALE = 60,0000' / 1"		CHECKED -	REVISED -
PLOT DATE = 12/15/2011		DATE -	REVISED -

PHASE DESIGNATION DIAGRAM & LIGHTING WIRING			
IL 13 / GREENBRIAR RD.			
SCALE:	SHEET	OF SHEETS	STA. TO STA.

F.A.P. RTE.	SECTION	COUNTY	TOTAL SHEETS	SHEET NO.
331	(1-4)R-1,N-3,TS-3	Williamson	219	94
				CONTRACT NO. 78216
ILLINOIS FED. AID PROJECT				