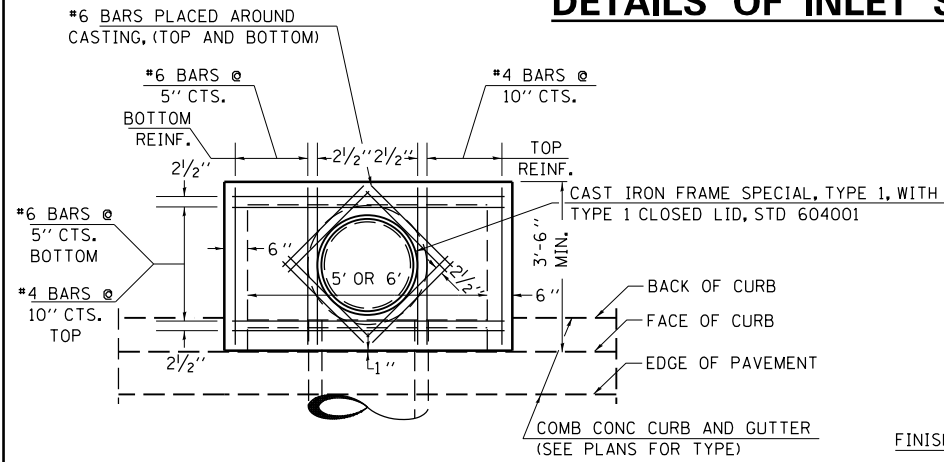


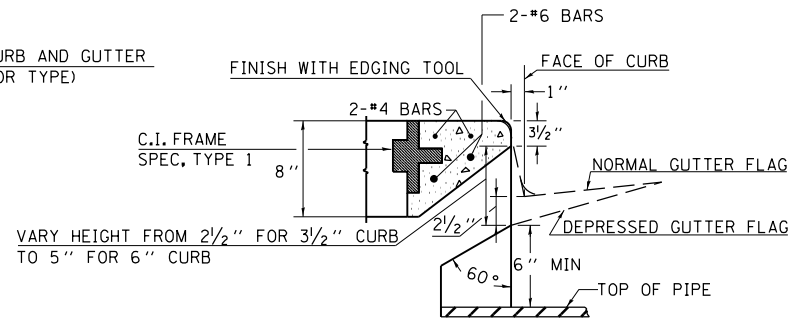
DETAILS OF INLET SPECIAL



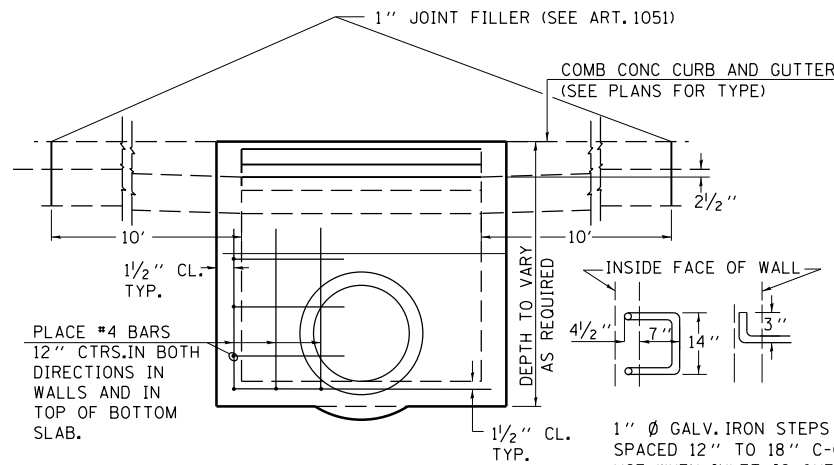
PLAN

CAST IRON FRAME SPECIAL, TYPE 1, WITH TYPE 1 CLOSED LID, STD 604001

BACK OF CURB
FACE OF CURB
EDGE OF PAVEMENT
COMB CONC CURB AND GUTTER (SEE PLANS FOR TYPE)



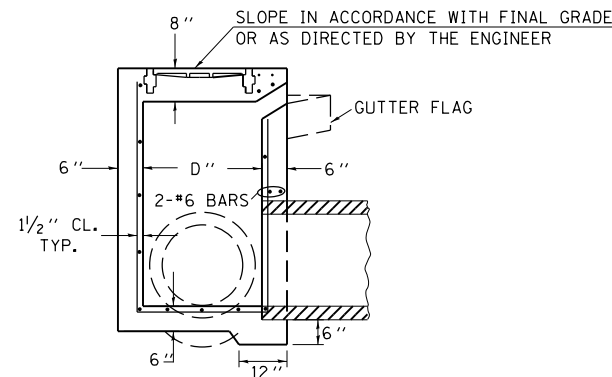
SECTION AT WEIR



ELEVATION

DESIGN	PIPE DIA	"D"
A	18" & LESS	2'-6"
B	21" & 24"	3'-0"
C	27" & 30"	3'-7"
D	33" & 36"	4'-2"
E	42"	4'-9"
F	48"	5'-0"
G	54"	6'-1"

1" Ø GALV. IRON STEPS ** SPACED 12" TO 18" C-C. USE WHEN INLET IS OVER 4' DEEP.



SECTION

NOTE TO DESIGNER:

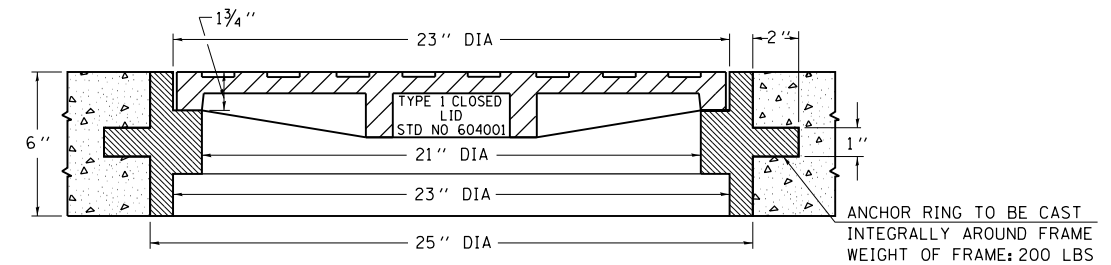
WHEN USING THIS STANDARD THE DESIGNER SHOULD ALSO CHECK BDE SPECIAL PROVISION 419 "PRECAST CONCRETE PRODUCTS".

REVISIONS	
REDRAWN	2-15-89
REVISED	8-15-94
REVISED	1-19-99
REVISED	5-6-04
RESIZED	5-6-08

STD. 9-1

DETAILS OF CAST IRON FRAMES SPECIAL TYPE 1 WITH TYPE 1 CLOSED LID

TYPE 1

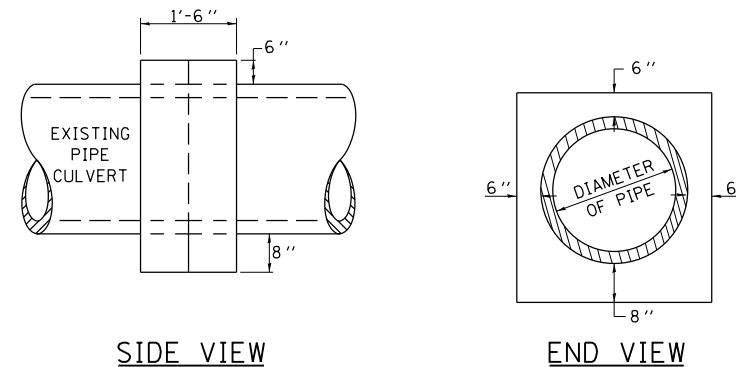


THE FRAMES MAY BE MADE OF EITHER GRAY IRON CONFORMING TO THE STANDARD SPECIFICATIONS OR DUCTILE IRON CONFORMING TO THE SPECIFICATIONS FOR DUCTILE IRON CASTING, A.S.T.M. DESIGNATION: A536, GRADE 60-45-10.

REVISIONS	
REDRAWN	2-15-89
REVISED	12-14-01
REVISED	
REVISED	

STD. 9-18

DETAILS OF CONCRETE COLLAR PIPE TO PIPE



SIDE VIEW

END VIEW

TABULATION

DIAMETER OF PIPE	CL SI CONC CU YDS EST
12"	0.24
15"	0.29
18"	0.32
24"	0.44
30"	0.56
36"	0.66
42"	0.80
48"	0.93
54"	1.07
60"	1.22
72"	1.55

THE CONCRETE COLLAR SHALL BE PAID FOR AT THE CONTRACT UNIT PRICE PER CUBIC YARD FOR CONCRETE COLLAR, AS SHOWN ON THE PLANS, WHICH PRICE SHALL INCLUDE THE REMOVAL OF SUCH PORTIONS THE EXISTING HEADWALLS AS MAY BE REQUIRED.

CLASS SI CONCRETE SHALL BE USED THROUGHOUT.

REVISIONS	
DRAWN	7-13-90
REVISED	8-22-94
REVISED	3-26-08
REVISED	

STD. 9-79

FILE NAME =	USER NAME = kellejkd	DESIGNED -	REVISED -
es:\pwwork\pwwidot\kellejkd\0205725\78216-sht-misc.dgn		DRAWN -	REVISED -
	PLOT SCALE = 100.0000' / in.	CHECKED -	REVISED -
	PLOT DATE = 12/15/2011	DATE -	REVISED -

STATE OF ILLINOIS
DEPARTMENT OF TRANSPORTATION

DETAIL : INLET SPECIAL ; CAST IRON FRAME, SPECIAL,
TYPE 1 WITH TYPE 1 CLOSED LID ; CONCRETE COLLAR PIPE TO PIPE

SCALE: SHEET OF SHEETS STA. TO STA.

F.A. RTE.	SECTION	COUNTY	TOTAL SHEETS	SHEET NO.
331	(1-4)R-1,N-3,TS-3	Williamson	220	96
				CONTRACT NO. 78216
ILLINOIS FED. AID PROJECT				