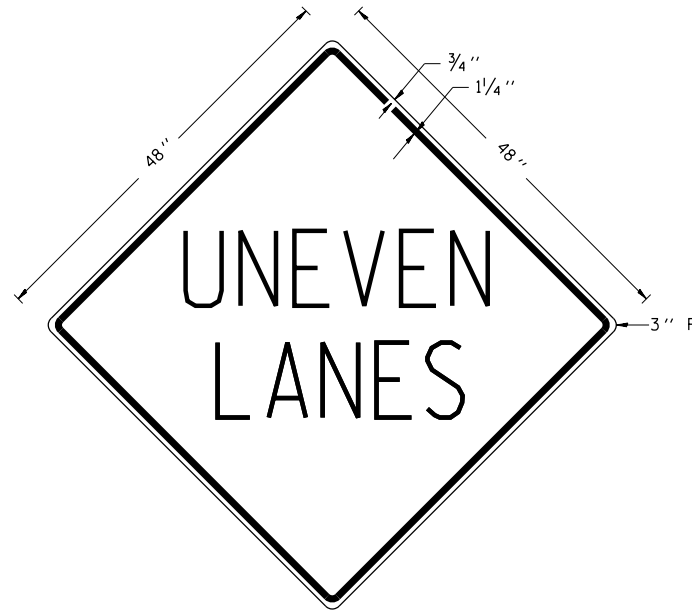


### UNEVEN LANES SIGN

W8-11 (48" x 48")



**COLORS:**

LEGEND AND BORDER - BLACK NON-REFLECTORIZED  
BACKGROUND - ORANGE REFLECTORIZED

**NOTE:** PRIOR TO ALLOWING TRAFFIC ON ANY PORTION OF THE ROADWAY THAT HAS BEEN COLDMILLED OR BEFORE RESURFACING OPERATIONS BEGIN, THE CONTRACTOR SHALL HAVE ERECTED "UNEVEN PAVEMENT" SIGNS THAT CONFORM TO THE ABOVE DETAILS. A MINIMUM OF ONE SIGN AT EACH END OF THE IMPROVEMENT WILL BE REQUIRED. THE CONTRACTOR SHALL MAINTAIN THE "UNEVEN PAVEMENT" SIGNS UNTIL THE RESURFACING OPERATIONS ARE COMPLETED.

IF AT ANY TIME THE SIGNS ARE IN PLACE BUT NOT APPLICABLE, THEY SHALL BE TURNED FROM THE VIEW OF MOTORISTS OR COVERED AS DIRECTED BY THE ENGINEER.

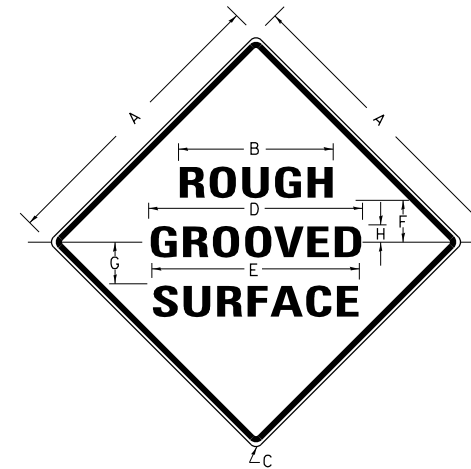
THE COST OF FURNISHING, ERECTING, MAINTAINING, AND REMOVING THE REQUIRED SIGNS SHALL BE INCLUDED IN THE CONTRACT.

REVISIONS	
DRAWN	2-15-89
REVISED	4-06-93
REDESIGNED	7-23-04
RESIZED	5-08-08

STD. 9-41

### ILLINOIS STANDARD

W8-I106



**COLORS:**

LEGEND AND BORDER- BLACK NON-REFLECTORIZED  
BACKGROUND- ORANGE REFLECTORIZED

SIGN SIZE	DIMENSIONS							
	A	B	C	D	E	F	G	H
48X48	48.0	24.1	3.0	34.0	33.0	6.0	13.0	3.5

SIGN SIZE	SERIES LINES			MAR- GIN	BOR- DER	BLANK STD.
	1	2	3			
48X48	7C	7C	7C	0.8	1.2	B4-48D

ALL DIMENSIONS IN INCHES

**NOTES:**

PRIOR TO ALLOWING TRAFFIC ON ANY PORTION OF THE ROADWAY THAT HAS BEEN COLDMILLED, THE CONTRACTOR SHALL HAVE ERECTED "ROUGH GROOVED SURFACE" SIGNS THAT CONFORM TO THE ABOVE DETAILS. A MINIMUM OF ONE SIGN AT EACH END OF THE IMPROVEMENT WILL BE REQUIRED. THE CONTRACTOR SHALL MAINTAIN THE "ROUGH GROOVED SURFACE" SIGNS UNTIL THE COLDMILLED SURFACE IS COVERED WITH LEVELING BINDER OR SURFACE COURSE.

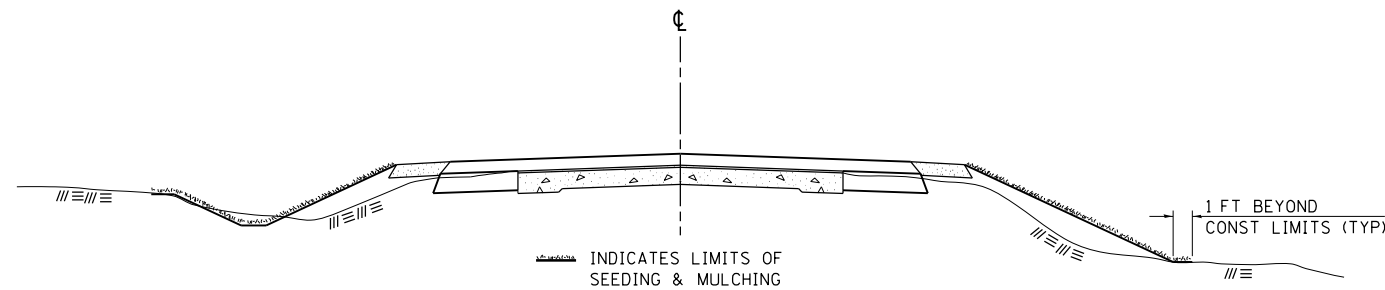
IF AT ANY TIME THE SIGNS ARE IN PLACE BUT NOT APPLICABLE, THEY SHALL BE TURNED FROM THE VIEW OF MOTORISTS OR COVERED AS DIRECTED BY THE ENGINEER.

THE COST OF FURNISHING, ERECTING, MAINTAINING, AND REMOVING THE REQUIRED SIGNS SHALL BE INCLUDED IN THE CONTRACT.

REVISIONS	
REDRAWN	2-15-89
REVISED	4-6-93
REVISED	3-27-08
REVISED	

STD. 9-39

### SEEDING & MULCHING



**GENERAL NOTES**

IN GENERAL, ALL EARTH SURFACES DISTURBED DURING CONSTRUCTION OPERATIONS SHALL BE SEEDED AND MULCHED UPON COMPLETION OF ALL GRADING OPERATIONS.

FERTILIZER NUTRIENTS AND LIMESTONE SHALL BE APPLIED TO ALL SEEDED AREAS.

THE RATES OF APPLICATION OF FERTILIZER, MULCH AND LIMESTONE SHALL BE AS SPECIFIED IN THE SPECIAL PROVISIONS.

SECTIONS 250 AND 251 OF THE STANDARD SPECIFICATIONS SHALL GOVERN THIS WORK EXCEPT AS SPECIFIED HEREIN OR AS NOTED IN THE SPECIAL PROVISIONS.

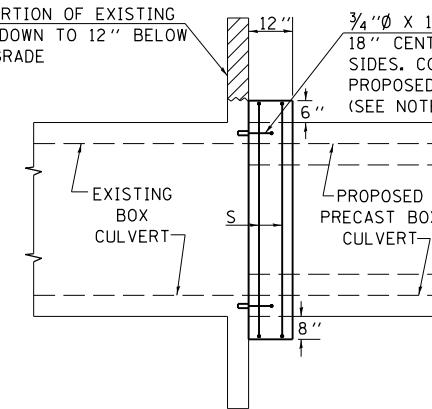
REVISIONS	
REDRAWN	2-15-89
REVISED	8-15-94
REVISED	6-3-99
REVISED	3-27-08

STD. 9-12

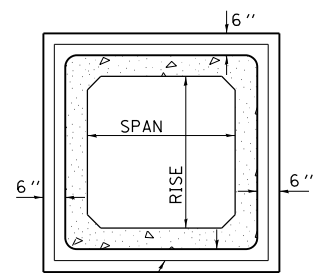
### DETAILS OF CONCRETE COLLAR FOR PRECAST BOX CULVERT

REMOVE PORTION OF EXISTING HEADWALL DOWN TO 12" BELOW FINISHED GRADE

3/4"Ø x 18" EXPANSION BOLTS AT 18" CENTERS TYPICAL ALL FOUR SIDES. COST INCLUDED IN THE PROPOSED PRECAST BOX CULVERT. (SEE NOTE BELOW)



SIDE VIEW



2 - #5 S BARS TYPICAL  
COST INCLUDED IN THE PROPOSED PRECAST BOX CULVERT.

END VIEW

THE CONCRETE COLLAR SHALL BE CONSIDERED INCLUDED IN PRECAST CONCRETE BOX CULVERT, WHICH PRICE SHALL INCLUDE THE REMOVAL OF SUCH PORTIONS OF THE EXISTING HEADWALLS AS MAY BE REQUIRED. CLASS SI CONCRETE SHALL BE USED THROUGHOUT.

**NOTE:**

ANCHOR BOLTS, MEETING THE REQUIREMENTS OF ARTICLE 1006.09 OF THE STANDARD SPECIFICATIONS, SHALL EXTEND A MINIMUM OF 9 INCHES INTO THE NEW CONCRETE. EXPANSION SHIELDS SHALL PROVIDE A MINIMUM CERTIFIED PROOF LOAD OF 4080 POUNDS.

**TABULATION**

(FOR INFORMATION PURPOSES ONLY)

SPAN X RISE	CLASS SI CONC. CU. YD. (EST.)
2' X 2'	0.26
3' X 2'	0.30
3' X 3'	0.34
4' X 2'	0.36
4' X 3'	0.39
4' X 4'	0.43
5' X 2'	0.41
5' X 3'	0.45
5' X 4'	0.49
6' X 2'	0.47
6' X 3'	0.51
6' X 4'	0.54

REVISIONS			
DRAWN	8-15-89	REVISED	12-17-01
REVISED	2-15-90	REVISED	3-26-08
REVISED	8-10-90	REVISED	
REVISED	8-19-94	REVISED	

STD. 9-45

FILE NAME =	USER NAME = kellejkd	DESIGNED -	REVISED -
ei:\pwork\pwork\kellejkd\0205725\7826-sht-misc.dgn		DRAWN -	REVISED -
	PLOT SCALE = 100.0000' / in.	CHECKED -	REVISED -
	PLOT DATE = 12/15/2011	DATE -	REVISED -

STATE OF ILLINOIS  
DEPARTMENT OF TRANSPORTATION

DETAIL: UNEVEN LANES; ROUGH GROOVED SURFACE;  
SEEDING AND MULCHING; CONCRETE COLLAR FOR PRECAST BOX CULVERT

SCALE: SHEET OF SHEETS STA. TO STA.

F.A.P. RTE.	SECTION	COUNTY	TOTAL SHEETS	SHEET NO.
331	(1-4)R-1,N-3,TS-3	Williamson	220	97
CONTRACT NO. 78216				
ILLINOIS FED. AID PROJECT				