

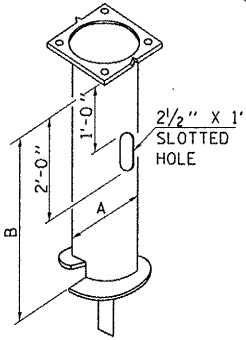
LIGHT POLE FOUNDATION

DATA, STEEL ** FOUNDATION TABLE			
BOLT CIRCLE	A	B	MOUNTING HEIGHT
1'-3"	10"	6'-0"	45'-0" OR 50'-0"*
1'-3"	8"	6'-0"	45'-0"
11"	8"	6'-0"	40'-0" OR LESS

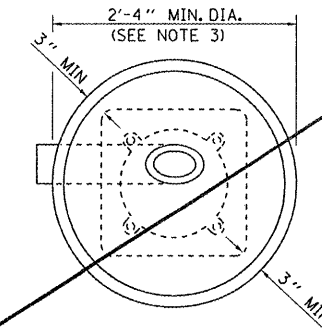
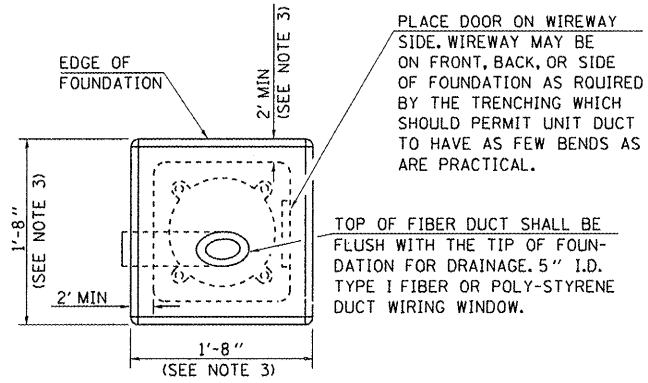
LOW MOUNTING FOUNDATION TABLE		
HEIGHT	DEPTH	BOLT CIRCLE
30'-0"	5'-0"	11"
31'-0" - 35'-0"	6'-0"	11"
36'-0" - 40'-0"	7'-0"	1'-3"
41'-0" - 45'-0"	7'-6"	1'-3"
46'-0" - 50'-0"	8'-0"	1'-3"

* FOR USE ON POLES W/TWIN TENON

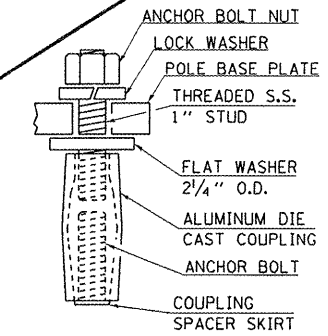
** MINIMUM TORQUE REQ'D TO INSTALL FOUNDATIONS SHALL BE 5,000 LBS



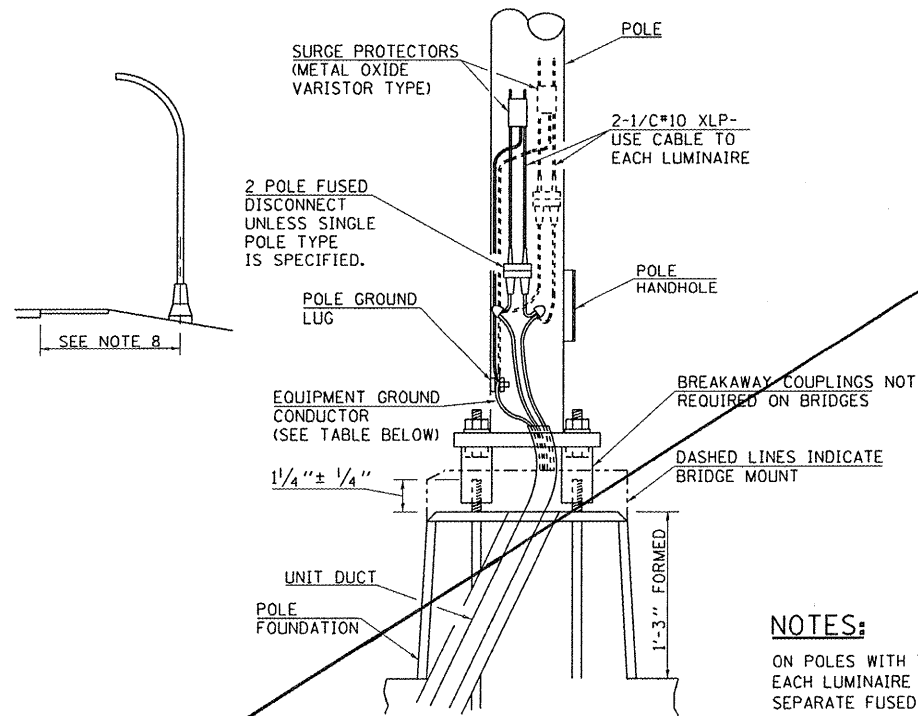
STEEL POLE FOUNDATION



ALT. FOUNDATION



TYP. COUPLING



EQUIPMENT GROUND TABLE	
BREAKER SIZE	CONDUCTOR SIZE
30 AMP.	#10 COPPER
40 AMP.	#10 COPPER
60 AMP.	#10 COPPER
100 AMP.	#8 COPPER

NOTES:

ON POLES WITH TWO LUMINAIRES, EACH LUMINAIRE SHALL HAVE A SEPARATE FUSED DISCONNECT.

INSTALLATION INSTRUCTIONS:

SCREW COUPLINGS ON TO ANCHOR BOLTS TO END OF THREADS, LEVEL COUPLINGS, VERY IMPORTANT, AS COUPLINGS WILL BECOME OVER-STRESSED AND EITHER CRACK OR STRIP THREADS INSIDE COUPLING.

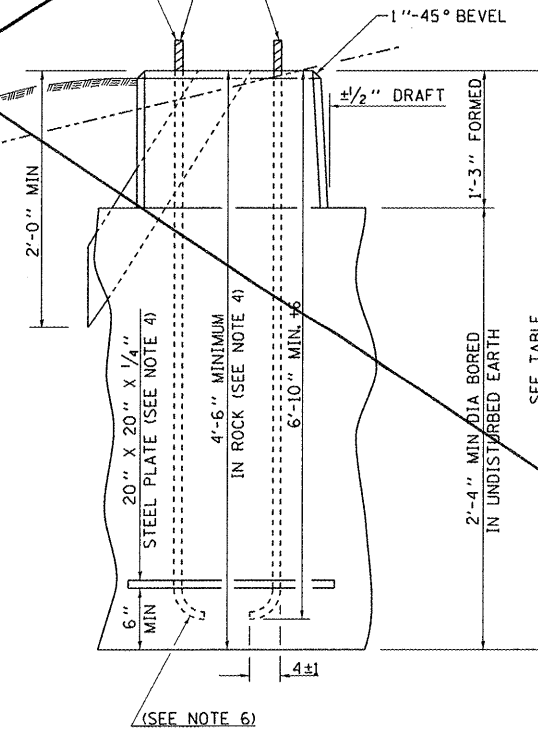
ANCHOR BOLT SHALL EXTEND THROUGH NUT 3/8" TO 1". USE SELF-LOCKING NUT AND FLAT WASHER. DO NOT USE LOCK-WASHER. LENGTH ABOVE FOUNDATION SHALL BE ADJUSTED WHEN BREAKAWAY DEVICES ARE USED.

USE DIRT REMOVED FROM FOUNDATION TO FILL AROUND FOUNDATION TOP. MAKE TOP OF DIRT LEVEL WITH TOP OF CONCRETE. ANY EXCESS DIRT WILL BE DISPOSED OF BY THE CONTRACTOR AT HIS EXPENSE.

PLACE DOOR ON WIREWAY SIDE. WIREWAY MAY BE ON FRONT, BACK, OR SIDE OF FOUNDATION AS REQUIRED BY THE TRENCHING WHICH SHOULD PERMIT UNIT DUCT TO HAVE AS FEW BENDS AS ARE PRACTICAL.

TOP OF FIBER DUCT SHALL BE FLUSH WITH THE TIP OF FOUNDATION FOR DRAINAGE. 5" I.D. TYPE I FIBER OR POLY-STYRENE DUCT WIRING WINDOW.

1" Ø STEEL ANCHOR BOLT THREADED 4"± AND HOT DIP GALVANIZED 4"± 1" HOOK ON THE OTHER END. (SEE NOTE 5)



METAL OR CONCRETE

GENERAL NOTES

- AFTER POURING CONCRETE, THE FORM SHALL REMAIN UNDISTURBED OVERNIGHT.
- THE TOP 15" ONLY SHALL BE FORMED. CONCRETE BOUNDED BY UNDISTURBED EARTH ONLY SHALL FILL THE REMAINDER OF THE HOLE.
- MINIMUM CLEARANCE FROM THE OUTSIDE EDGE OF FOUNDATION TO ANY PART OF THE POLE BASEPLATE SHALL BE 3".
- THE DEPTH OF THE FOUNDATION MAY BE REDUCED 6" FOR EVERY 12" OF ROCK ENCOUNTERED WITH A MINIMUM DEPTH OF 4'-6". WHEN THE DEPTH OF THE FOUNDATION IS DECREASED TO LESS THAN 6' THE ANCHOR BOLTS SHALL BE CUT, THREADED, AND A STEEL PLATE 20" X 20" X 1/4" SHALL BE INSTALLED ON THE ANCHOR BOLTS 6" ABOVE THE BOTTOM OF THE EXCAVATION. THE COST SHALL BE INCIDENTAL THE FOUNDATION.
- ON PARAPET WALLS USE 1 1/4" Ø ANCHOR BOLTS. USE SELF-LOCKING NUT AND FLAT WASHER. DO NOT USE LOCKWASHER. (FOR DETAILS SEE STANDARD III/2.35 OF BRIDGE DESIGN MANUAL.
- BEND RADIUS SHALL BE FOUR TIMES BOLT DIAMETER.
- CONNECT GROUND WIRES TO POLE BASE GROUND LUG, NOT ANCHOR BOLTS OR TRANSFORMER BASE.
- LOW MOUNT POLE FOUNDATION SETBACK: FOR HORIZONTAL MOUNTED LUMINAIRES, SETBACK SHALL BE A MINIMUM OF 20' FROM EDGE OF PAVEMENT.

FOR VERTICAL MOUNT LUMINAIRES, SETBACK SHALL BE A MINIMUM OF 30' FROM EDGE OF PAVEMENT. POLES SHALL BE LOCATED 5' BEHIND GUARDRAIL OR OTHER PROTECTIVE BARRIERS, OR AS DIRECTED BY THE ENGINEER.

REVISIONS	
DRAWN	2-9-01
REVISED	5-13-02
REVISED	01-16-07
RESIZED	05-6-08

STD. 9-114

FILE NAME =	USER NAME = kallejkd	DESIGNED -	REVISED -
ct:\pwwork\pwwork\kallejkd\0205725\782	8-shr-misc.dgn	DRAWN -	REVISED -
PLOT SCALE = 100,0000 1/1		CHECKED -	REVISED -
PLOT DATE = 12/15/2011		DATE -	REVISED -

STATE OF ILLINOIS
DEPARTMENT OF TRANSPORTATION

LIGHT POLE FOUNDATIONS

SCALE: SHEET OF SHEETS STA. TO STA.

F.A.P. RTE.	SECTION	COUNTY	TOTAL SHEETS	SHEET NO.
331	(1-4)R-1,N-3,T5-3	Williamson	280	100
			CONTRACT NO. 78216	
ILLINOIS/FED. AID PROJECT				