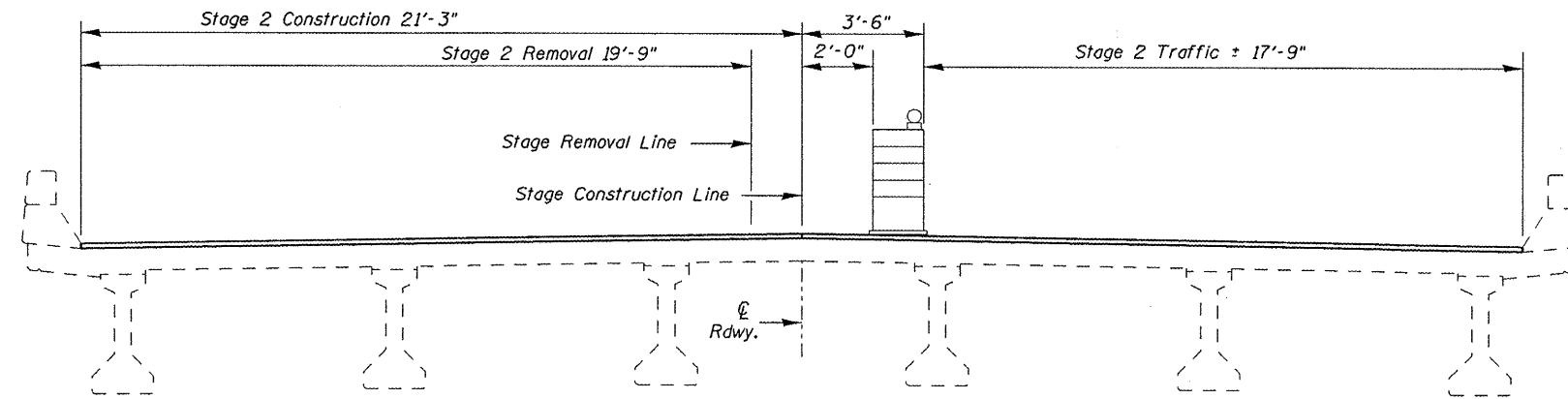
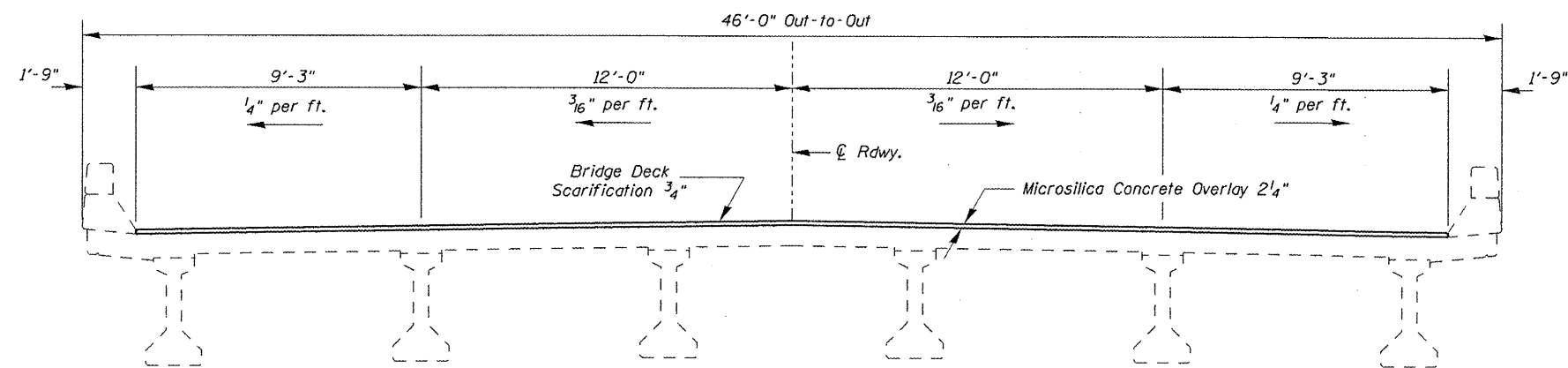


**STAGE 1 CONSTRUCTION**



**STAGE 2 CONSTRUCTION**



**SECTION THROUGH OVERLAY**

FILE NAME =	USER NAME = #USER*	DESIGNED	REVISED -
ct:\pwwork\p\ridot\lavenderba\d0253199\03-0044bsmart-sh-t-plan.dgn		DRAWN	REVISED -
PLOT SCALE = 100.0000 / in.		CHECKED	REVISED -
PLOT DATE = 12/14/2011		DATE	REVISED -

**STATE OF ILLINOIS  
DEPARTMENT OF TRANSPORTATION**

**STAGING DETAILS  
SN 083-0044**

SCALE: SHEET NO. OF SHEETS STA. TO STA.

F.A.P. RTE.	SECTION	COUNTY	TOTAL SHEETS	SHEET NO.
331	D9 CM BRIDGE REP 2012-2	SALINE	12	7
CONTRACT NO. 78246				
ILLINOIS FED. AID PROJECT				