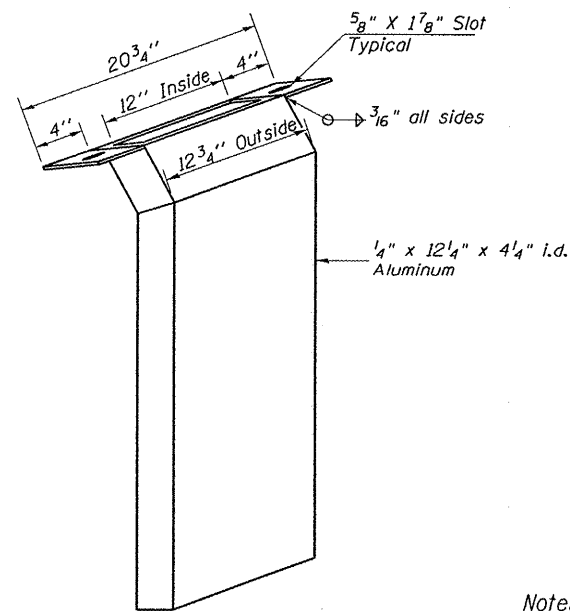


DRAIN ELIMINATION DETAIL

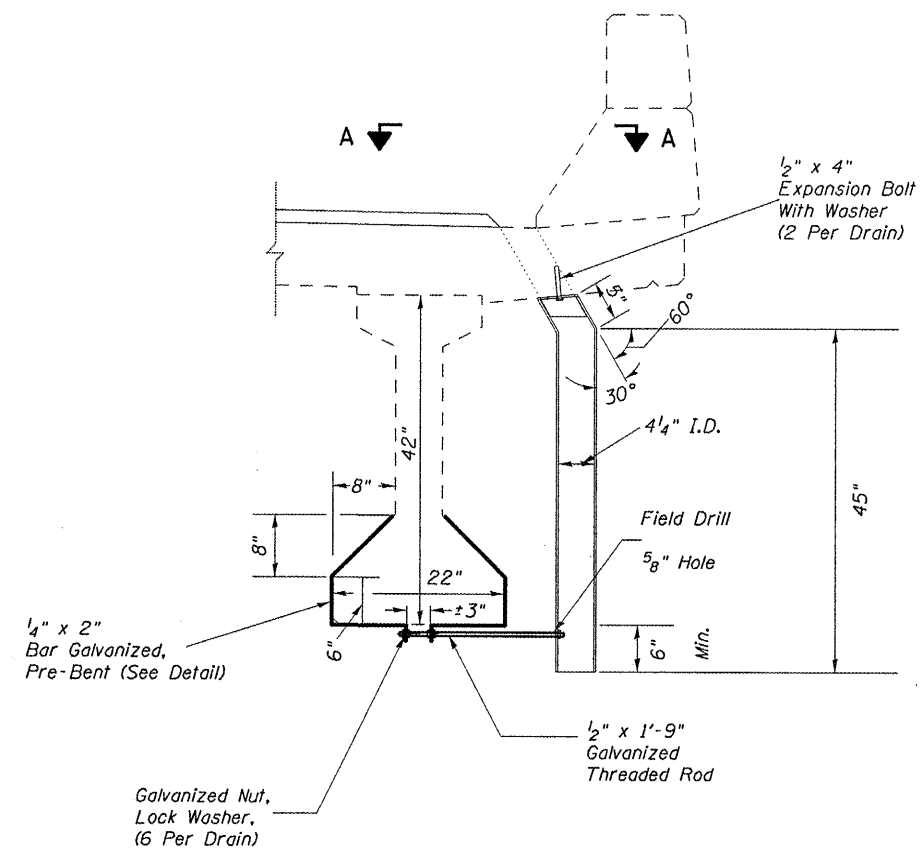
24 Locations



FLOOR DRAIN EXTENSION DETAIL

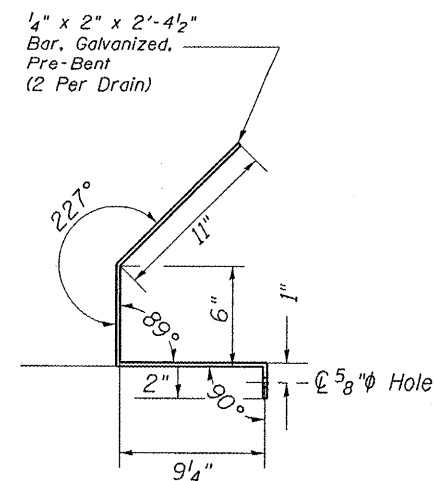
Notes:

Plug every other existing deck drain and all that are within ±10' of the existing substructure. Locations shall be subject to the approval of Engineer.

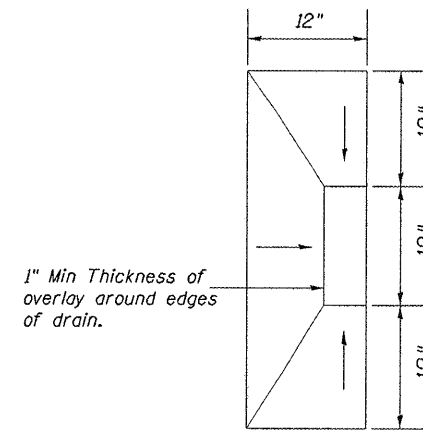


FLOOR DRAIN EXTENSIONS

18 Locations



BRACKET DETAIL



VIEW A-A

FILE NAME =	USER NAME = #USER#	DESIGNED	REVISED -
ct:\pw_work\p\ridot\lavenderbo\d0253199\03-0044b\smart-shr-plan.dgn		DRAWN	REVISED -
	PLOT SCALE = 100.0000 / 1 in.	CHECKED	REVISED -
	PLOT DATE = 12/14/2011	DATE	REVISED -

STATE OF ILLINOIS
DEPARTMENT OF TRANSPORTATION

DRAIN DETAILS
SN 083-0044

SCALE: SHEET NO. OF SHEETS STA. TO STA.

F.A.P. RTE.	SECTION	COUNTY	TOTAL SHEETS	SHEET NO.
331	D9 CM BRIDGE REP 2012-2	SALINE	12	10
CONTRACT NO. 78246				
ILLINOIS FED. AID PROJECT				