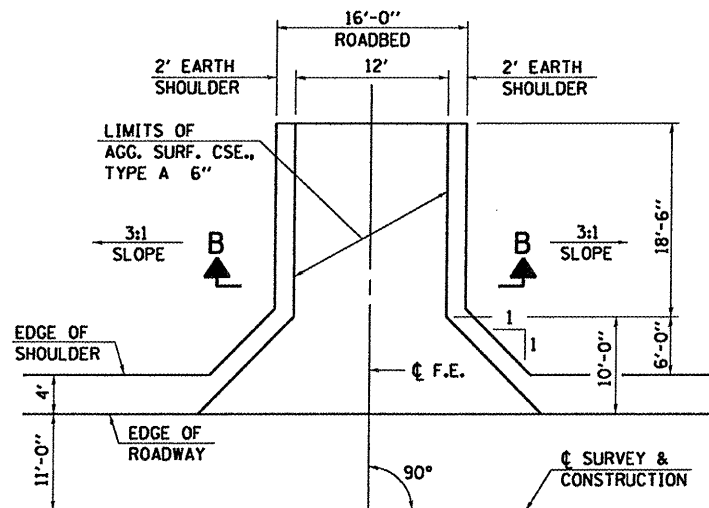
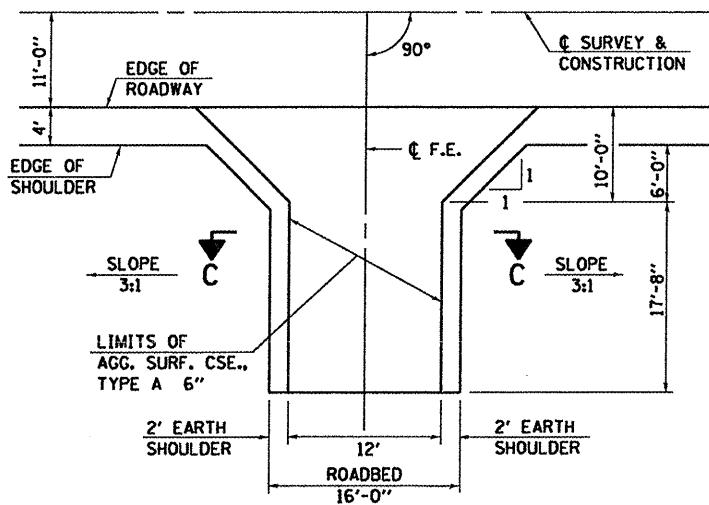


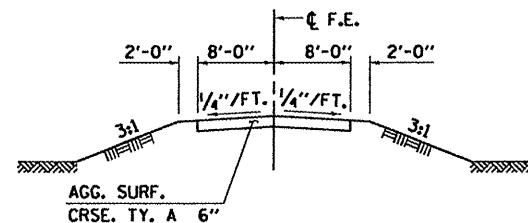
FIELD ENTRANCE DETAIL
F.E. RT. STA. 16+00



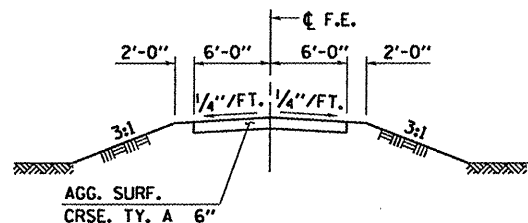
FIELD ENTRANCE DETAIL
F.E. LT. STA. 27+67



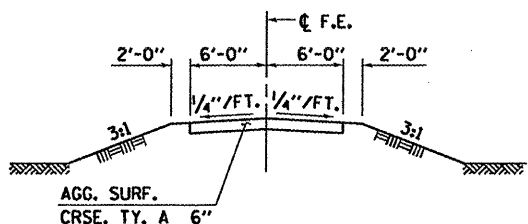
FIELD ENTRANCE DETAIL
F.E. RT. STA. 29+00



SECTION A-A



SECTION B-B



SECTION C-C

FENCE (SPECIAL)

FENCE SPECIAL: THIS WORK SHALL CONSIST OF CONSTRUCTING BARBED WIRE FENCING SUPPORTED ON WOOD AND METAL POSTS INCLUDING ACCESSORIES ACCORDING TO THE APPLICABLE PORTIONS OF SECTION 665 OF THE STANDARD SPECIFICATIONS AND STANDARD 665001. THE BARBED WIRE FENCE SHALL CONSIST OF SIX STRANDS OF BARBED WIRE PROPERLY SPACED. THE POSTS SHALL BE PROPORTIONED IN A RATIO OF ONE WOODEN POST FOR EVERY THREE "T" POST.

METHOD OF MEASUREMENT: FENCE (SPECIAL) WILL BE MEASURED FOR PAYMENT IN FEET ALONG THE TOP OF THE FENCE FROM CENTER TO CENTER OF END POST.

BASIS OF PAYMENT: THIS WORK WILL BE PAID FOR AT THE CONTRACT UNIT PRICE PER FOOT FOR "FENCE (SPECIAL)", WHICH PRICE SHALL INCLUDE ALL EXCAVATION AND BACK FILLING, EXCEPT EXCAVATION IN ROCK WHICH WILL BE PAID FOR ACCORDING TO SECTION 109.

LOCATION	QUANTITY
39.55' LT. STA. 9+00.00 TO 45' LT. STA. 9+50.00	= 50 FOOT
45' LT. STA. 9+50.00 TO 45' LT. STA. 13+00.00	= 98 FOOT
45' LT. STA. 13+00.00 TO 40' LT. STA. 14+00.00	= 95 FOOT
40' LT. STA. 14+00.00 TO 40' LT. STA. 14+50.00	= 47 FOOT
40' LT. STA. 14+50.00 TO 50' LT. STA. 15+00.00	= 48 FOOT
50' LT. STA. 15+00.00 TO 75' LT. STA. 15+50.00	= 52 FOOT
75' LT. STA. 15+50.00 TO 70' LT. STA. 17+50.00	= 181 FOOT
70' LT. STA. 17+50.00 TO 40' LT. STA. 18+00.00	= 55 FOOT
40' LT. STA. 18+00.00 TO 40' LT. STA. 18+50.00	= 47 FOOT
40' LT. STA. 18+50.00 TO 100' LT. STA. 20+00.00	= 156 FOOT
100' LT. STA. 20+00.00 TO 93.09' LT. STA. 20+96.75	= 97 FOOT
93.09' LT. STA. 20+96.75 TO 26.58' LT. STA. 20+96.75	= 67 FOOT
26.58' LT. STA. 23+39.25 TO 75.77' LT. STA. 23+39.25	= 49 FOOT
75.77' LT. STA. 23+39.25 TO 75' LT. STA. 23+50.00	= 11 FOOT
75' LT. STA. 23+50.00 TO 65' LT. STA. 24+50.00	= 100 FOOT
65' LT. STA. 24+50.00 TO 85' LT. STA. 25+00.00	= 52 FOOT
85' LT. STA. 25+00.00 TO 85' LT. STA. 25+50.00	= 48 FOOT
85' LT. STA. 25+50.00 TO 50' LT. STA. 26+81.00	= 131 FOOT
84.74' RT. STA. 24+00.00 TO 115' RT. STA. 24+50.00	= 59 FOOT
115' RT. STA. 24+50.00 TO 120' RT. STA. 26+00.00	= 160 FOOT
120' RT. STA. 26+00.00 TO 95' RT. STA. 27+00.00	= 109 FOOT
95' RT. STA. 27+00.00 TO 39.31' RT. STA. 28+00.00	= 116 FOOT
39.31' RT. STA. 28+00.00 TO 37.99' RT. STA. 28+09.84	= 10 FOOT
37.99' RT. STA. 28+09.84 TO 38.70' RT. STA. 29+25.00	= 115 FOOT
TOTAL	= 1,953 FOOT

FENCE REMOVAL

FENCE REMOVAL: THIS WORK WILL CONSIST OF THE REMOVAL AND DISPOSAL OF EXISTING FENCE REGARDLESS OF TYPE INCLUDING POSTS AT THE LOCATIONS SHOWN IN THE PLANS AND AS DIRECTED BY THE ENGINEER.

METHOD OF MEASUREMENT: FENCE REMOVAL WILL BE MEASURED FOR PAYMENT IN FEET FROM CENTER TO CENTER OF END POSTS.

BASIS OF PAYMENT: THIS WORK WILL BE PAID FOR AT THE CONTRACT UNIT PRICE PER FOOT FOR "FENCE REMOVAL".

LOCATION	QUANTITY
38' LT. STA. 9+00.00 TO 45' RT. STA. 21+00.00	= 1,200 FOOT
78' LT. STA. 23+12.00 TO 2' RT. STA. 23+05.00	= 80 FOOT
2' RT. STA. 23+05.00 TO 50' LT. STA. 26+81.00	= 375 FOOT
84.74' RT. STA. 24+00.00 TO 38.50' RT. STA. 29+25.00	= 570 FOOT
TOTAL	= 2,225 FOOT

TUBULAR STEEL GATE

TUBULAR STEEL GATE: THIS ITEM SHALL CONSIST OF ALL MATERIAL, LABOR AND EQUIPMENT NECESSARY TO INSTALL A STEEL GATE THAT WILL CONSIST OF ONE 16' LONG GATE AT THE LOCATION SHOWN IN THE PLANS AND AS FOLLOWS:

THE STEEL GATE SHALL MEET ASTM A53 OR ASTM A106 GRADE B SPECIFICATIONS.

THE GATE SHALL HAVE 6 RAILS, SHALL BE POWDER COATED GREEN OR OTHER APPROVED COLOR AND SHALL BE 50" TALL. IT SHALL BE CONSTRUCTED WITH 2", 16 GAUGE STEEL PIPE.

ALL HORIZONTAL TUBES OF THE GATE SHALL BE WELDED COMPLETELY AROUND THE JOINTS TO THE GATE FRAME AND SHALL HAVE A MINIMUM OF TWO "Z" BRACES.

THE COST OF ALL THE WORK INCLUDED SHALL BE PAID FOR AT THE CONTRACT UNIT PRICE EACH FOR "TUBULAR STEEL GATE" WHICH PRICE SHALL INCLUDE ALL HINGING AND LATCHING HARDWARE FOR THE GATE.

LOCATION	QUANTITY
38.5' RT. STA. 28+92.00 TO 38.5' RT. STA. 29+08.00	= 1 EACH
TOTAL	= 1 EACH