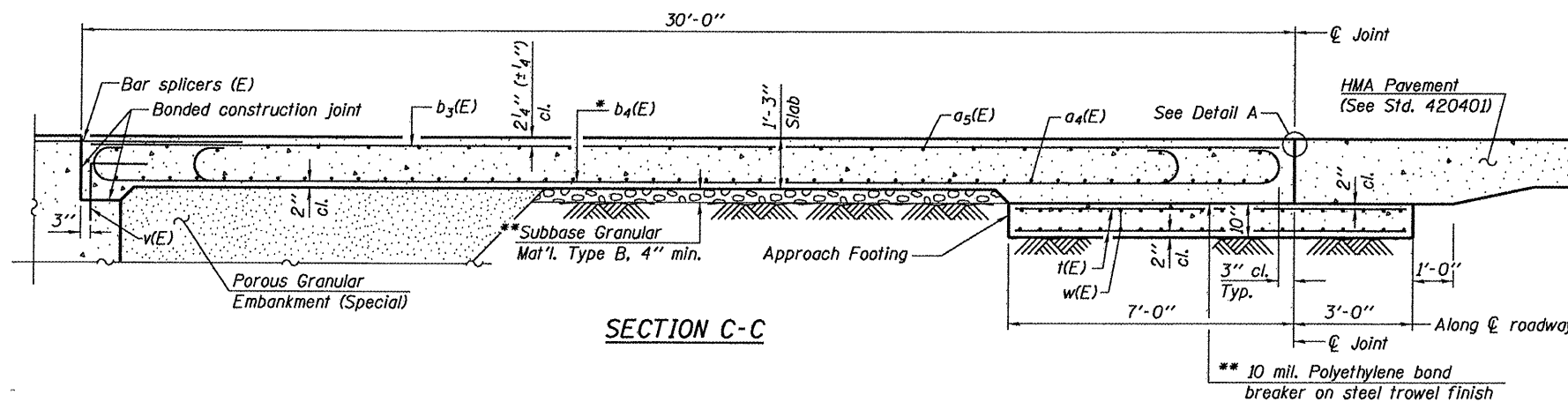
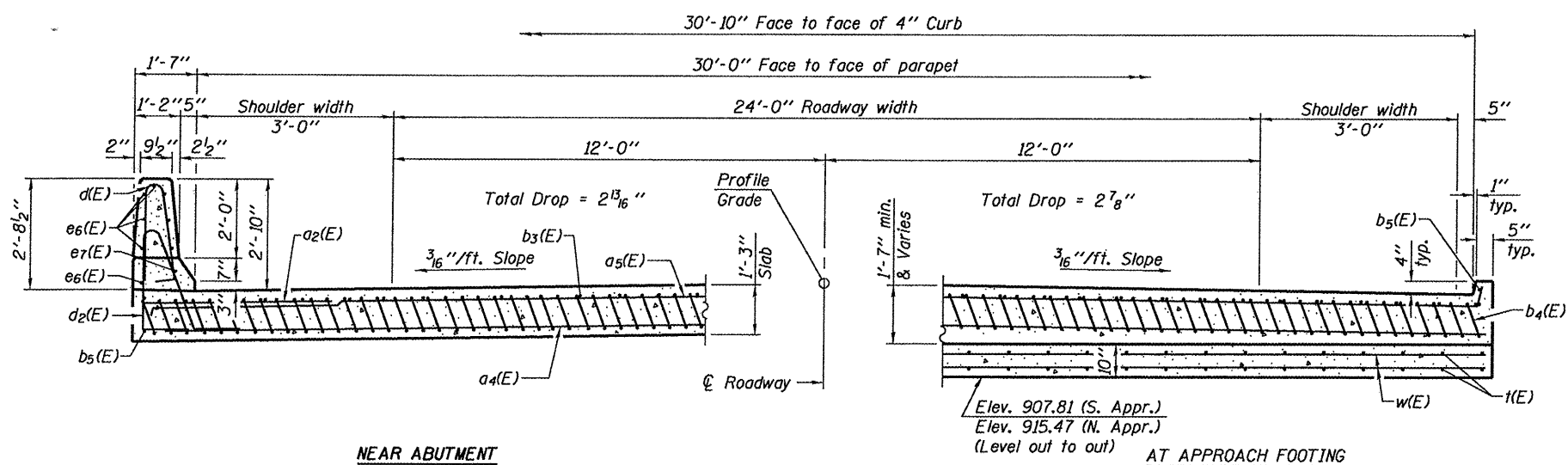


Notes:

Approach slab and parapet concrete shall be paid for as Concrete Superstructure.
 Approach footing concrete shall be paid for as Concrete Structures.
 Reinforcement shall be paid for as Reinforcement Bars, Epoxy Coated.
 For v(E) bar details, see sheet 11 of 22.
 The approach footing maximum applied service bearing pressure (Q_{max}) = 2.0 ksf.
 For bar splicer details, see sheet 21 of 22.
 Cost of excavation for approach footing included with Concrete Structures.
 For Porous Granular Embankment (Special) and drainage treatment details, see sheet 2 of 22.
 For additional parapet details see sheet 11 of 22.



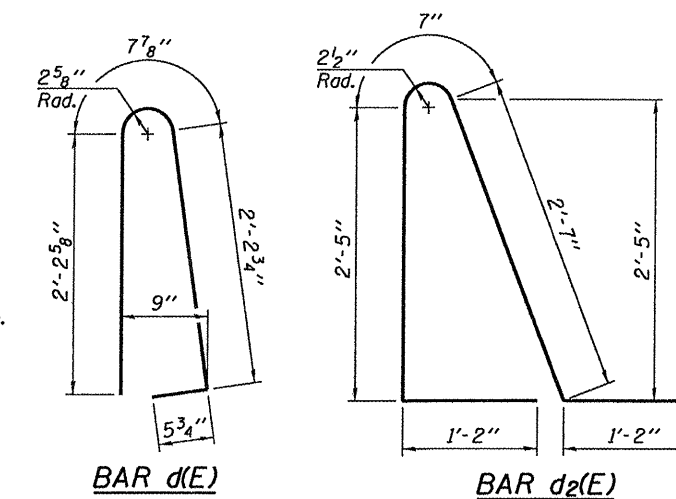
SECTION C-C



SECTION D-D

(See Plan for dimensions not shown)

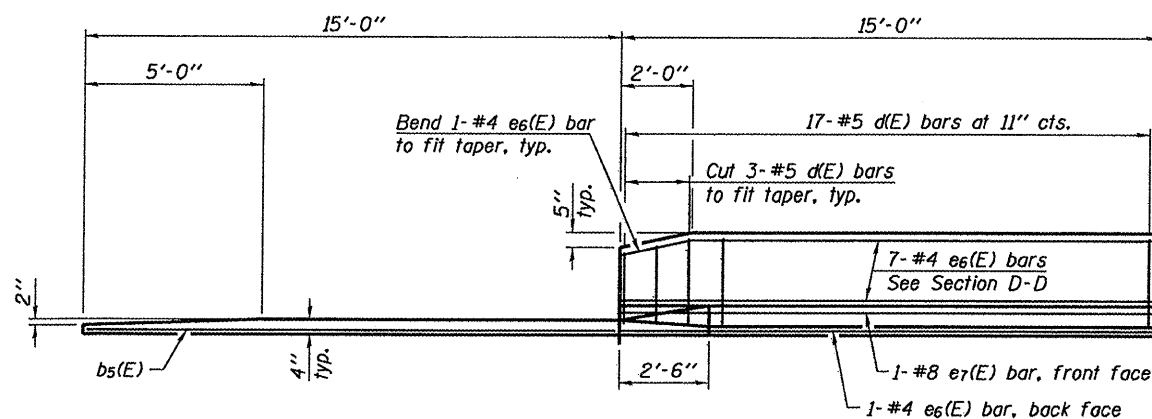
* Tilt #9 b₄(E) bars as required to maintain clearance.
 ** Cost included with Concrete Superstructure.



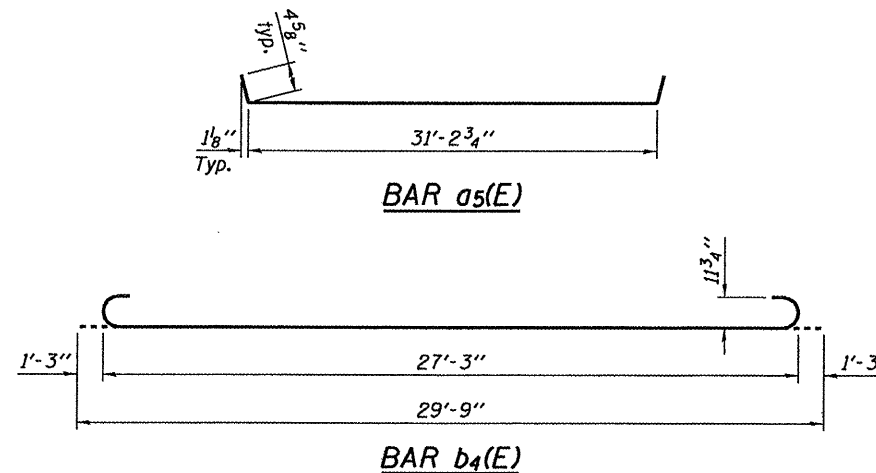
DETAIL A

TWO APPROACHES
 BILL OF MATERIAL

Bar	No.	Size	Length	Shape	
a ₂ (E)	48	#6	6'-6"	—	
a ₄ (E)	92	#5	31'-6"	—	
a ₅ (E)	50	#4	32'-0"	—	
b ₃ (E)	52	#4	29'-8"	—	
b ₄ (E)	152	#9	29'-9"	—	
b ₅ (E)	8	#4	14'-8"	—	
d(E)	68	#5	5'-7"	—	
d ₂ (E)	68	#5	7'-11"	—	
e ₆ (E)	32	#4	14'-8"	—	
e ₇ (E)	4	#8	14'-8"	—	
k(E)	128	#4	9'-8"	—	
w(E)	80	#5	31'-6"	—	
Concrete Superstructure				Cu. Yd.	105.7
Concrete Structures				Cu. Yd.	19.6
Reinforcement Bars, Epoxy Coated				Pound	25,930
Bridge Deck Grooving				Sq. Yd.	185
Protective Coat				Sq. Yd.	233



VIEW E-E



BRIDGE APPROACH SLAB DETAILS
 S.N. 043-3270

DESIGNED -	J.A.M.
CHECKED -	A.L.S.
DRAWN -	S.A.P.
CHECKED -	J.A.M. & A.L.S.

BA-0 10-31-08

FILE: 46860.APP-DTL.DGN DATE: 03/24/11

FEHR-GRAHAM & ASSOCIATES, LLC
 ENGINEERING AND SCIENCE CONSULTANTS
 FREEPORT, IL ROCKFORD, IL ROCHELLE, IL MONROE, WI SPRINGFIELD, IL
 4440 ASH GROVE SPRINGFIELD, IL 62711 (217)-793-8600 www.fehr-graham.com

C.H.	SECTION	COUNTY	TOTAL SHEETS	SHEET NO.
9	06-00127-00-BR	JO DAVIESS	55	22
SCOUT CAMP ROAD			CONTRACT NO. 85539	
ILLINOIS				