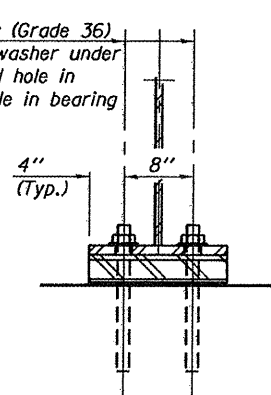
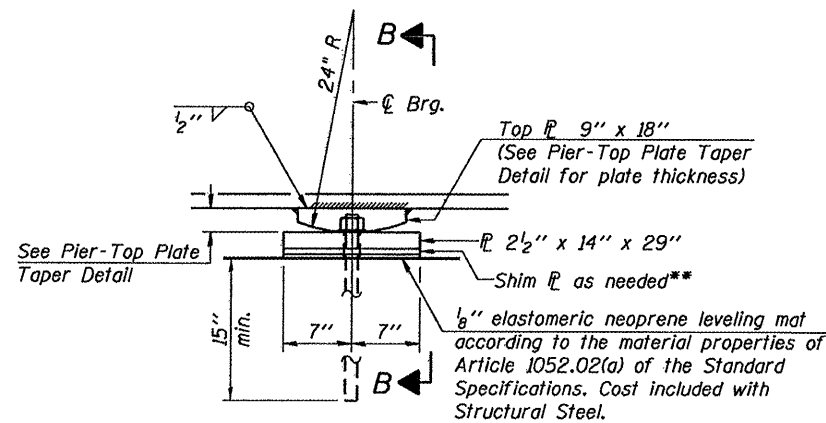


ELEVATION AT ABUTMENT



SECTION A-A

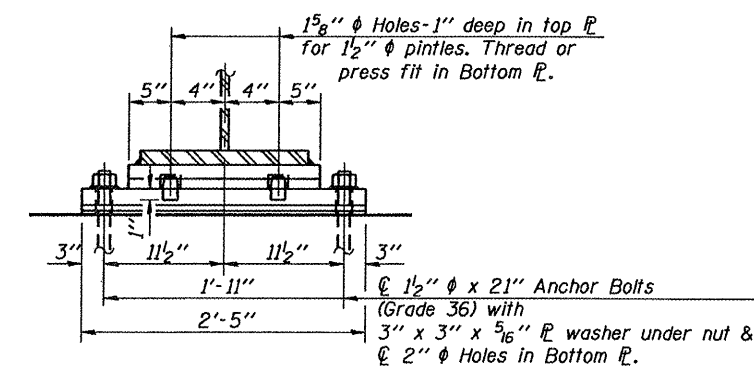
\*\* Two 1/8" adjusting shims shall be provided for each bearing in addition to all other plates and placed as shown in bearing detail as needed to establish girder elevations.



ELEVATION AT PIER

PIER BEARING DETAILS

(5 Required)

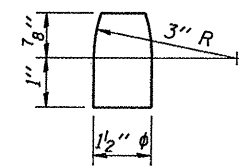


SECTION B-B

ABUTMENT BEARING DETAILS

(10 Required)

Note: Anchor bolts may be built into the masonry.



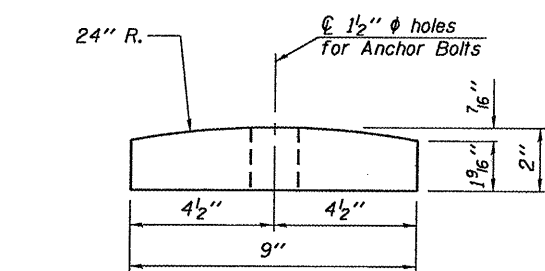
PINTLE

Notes:

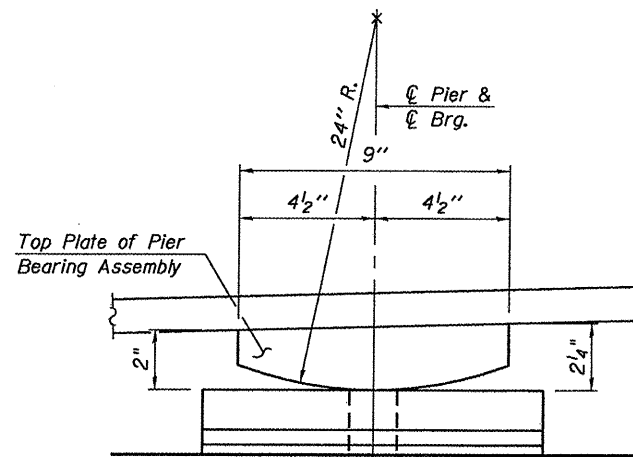
Anchor bolts shall be ASTM F1554 all-thread (or an Engineer-approved alternate material) of the grade(s) and diameter(s) specified. ASTM A307 Grade C anchor bolts may be used in lieu of ASTM F1554 Grade 36 (Fy=36ksi). The corresponding specified grade of AASHTO M314 anchor bolts may be used in lieu of ASTM F1554.

Anchor bolts at fixed bearings may be either cast in place or installed in holes drilled after the supported member is in place.

Drilled and set anchor bolts shall be installed according to Article 521.06 of the Standard Specifications.

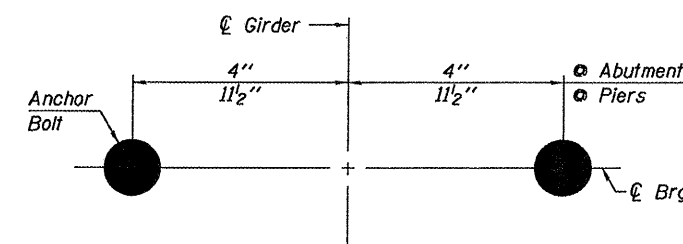


ABUTMENT BEARING PLATE DETAIL



PIER-TOP PLATE TAPER DETAIL

(Looking West along  $\varnothing$  Pier)



ANCHOR BOLT LOCATION PLAN

BILL OF MATERIAL

Item	Unit	Total
Anchor Bolts, 1"	Each	20
Anchor Bolts, 1 1/2"	Each	10

BEARING DETAILS

S.N. 043-3270

DESIGNED -	J.A.M.
CHECKED -	A.L.S.
DRAWN -	S.A.P.
CHECKED -	J.A.M. & A.L.S.

<p>FEHR-GRAHAM &amp; ASSOCIATES, LLC ENGINEERING AND SCIENCE CONSULTANTS FREEPORT, IL ROCKFORD, IL ROCHELLE, IL MONROE, WI SPRINGFIELD, IL</p>	C.H.	SECTION	COUNTY	TOTAL SHEETS	SHEET NO.
	9	06-00127-00-BR	JO DAVIESS	55	25
SCOUT CAMP ROAD			CONTRACT NO. 85539		
ILLINOIS					