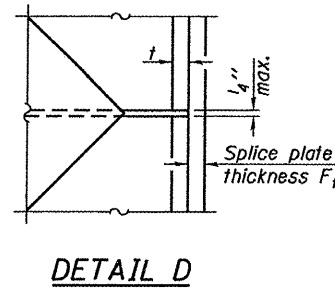
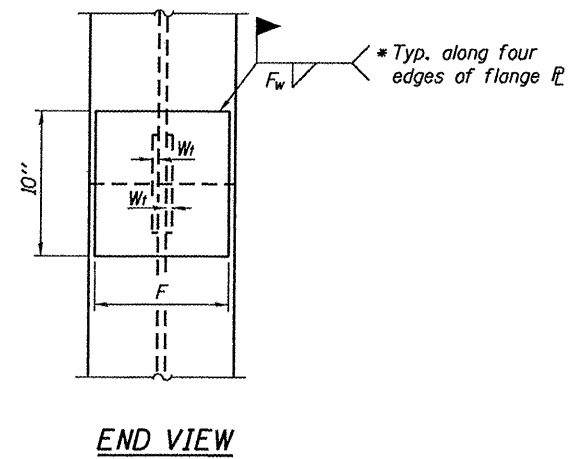
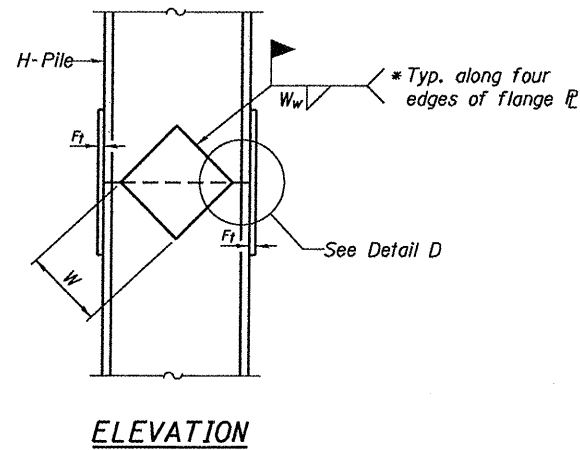
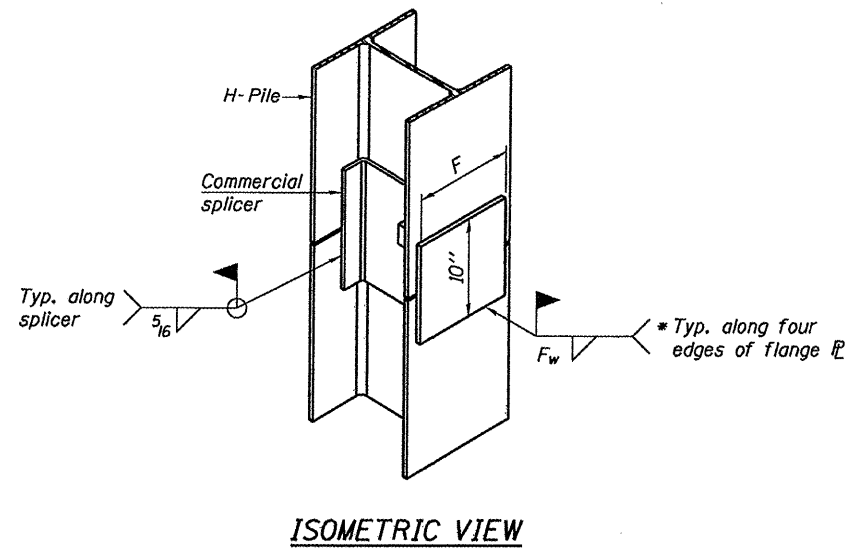


WELDED COMMERCIAL SPLICE



Designation	F	F _t	F _w	W	W _t	W _w
HP 14x117	12 1/2"	1"	7/8"	7 3/4"	5/8"	1/2"
x102	12 1/2"	7/8"	3/4"	7 3/4"	5/8"	1/2"
x89	12 1/2"	3/4"	1/6"	7 3/4"	5/8"	1/2"
x73	12 1/2"	5/8"	9/16"	7 3/4"	5/8"	1/2"
HP 12x84	10"	7/8"	1/6"	6 1/2"	5/8"	1/2"
x74	10"	7/8"	1/6"	6 1/2"	5/8"	1/2"
x63	10"	5/8"	1/2"	6 1/2"	1/2"	3/8"
x53	10"	5/8"	1/2"	6 1/2"	1/2"	3/8"
HP 10x57	8"	3/4"	9/16"	5 1/4"	1/2"	3/8"
x42	8"	5/8"	9/16"	5 1/4"	1/2"	3/8"
HP 8x36	7"	5/8"	7/16"	4 1/4"	1/2"	3/8"

WELDED PLATE FIELD SPLICE



WELDED COMMERCIAL SPLICE ALTERNATE

- * Interrupt welds 1/4" from end of web and/or each flange.
- ** Remove portions of backup plates that extend outside the flanges.

Note:
The steel H-piles shall be according to AASHTO M270 Grade 50.

STEEL PILE SPLICING DETAILS
S.N. 043-3270

DESIGNED -	J.A.M.
CHECKED -	A.L.S.
DRAWN -	S.A.P.
CHECKED -	J.A.M. & A.L.S.

F-HP 11-1-09

<p>FEHR-GRAHAM & ASSOCIATES, LLC ENGINEERING AND SCIENCE CONSULTANTS FREEPORT, IL ROCKFORD, IL ROCHELLE, IL MONROE, WI SPRINGFIELD, IL 4440 ASH GROVE SPRINGFIELD, IL 62711 (217)-793-9800 www.fehr-graham.com</p>	C.H.	SECTION	COUNTY	TOTAL SHEETS	SHEET NO.
	9	06-00127-00-BR	JO DAVIESS	55	29
	SCOUT CAMP ROAD			CONTRACT NO. 85539	
ILLINOIS					