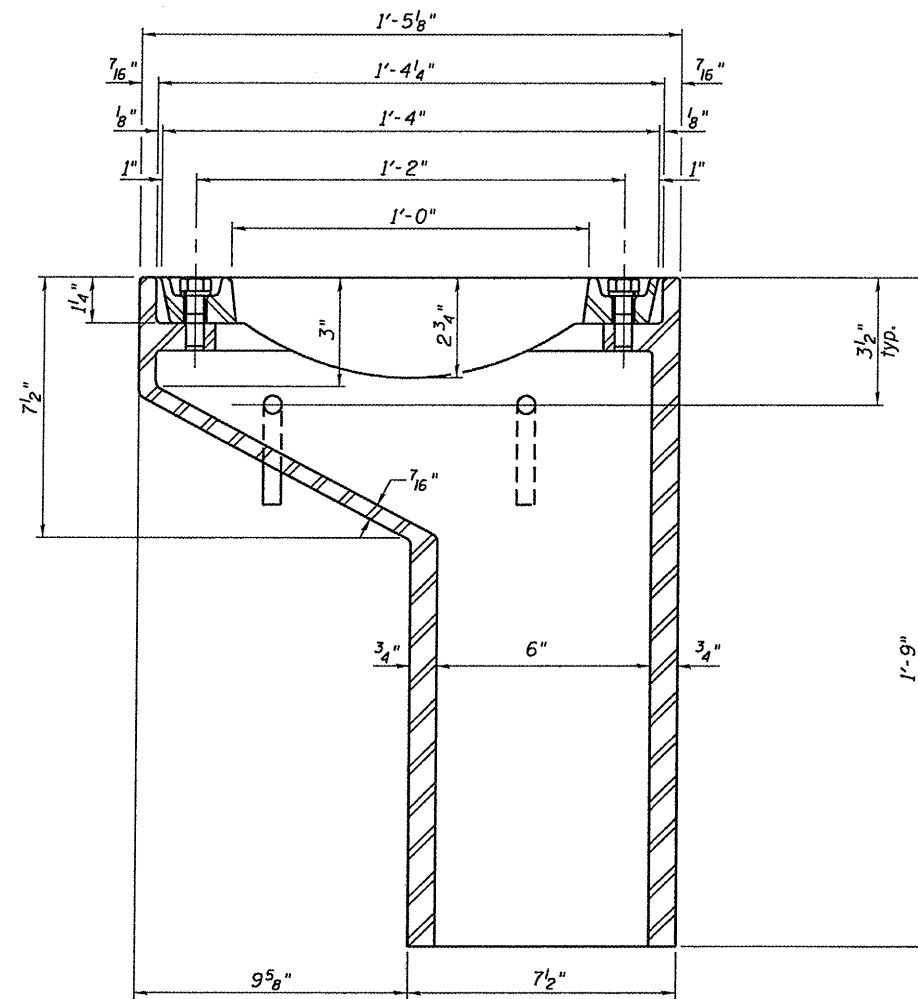
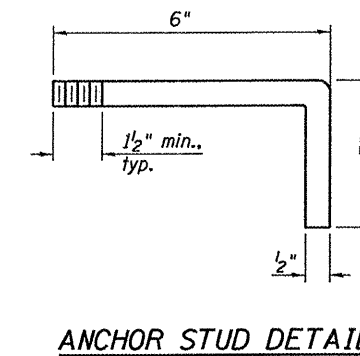
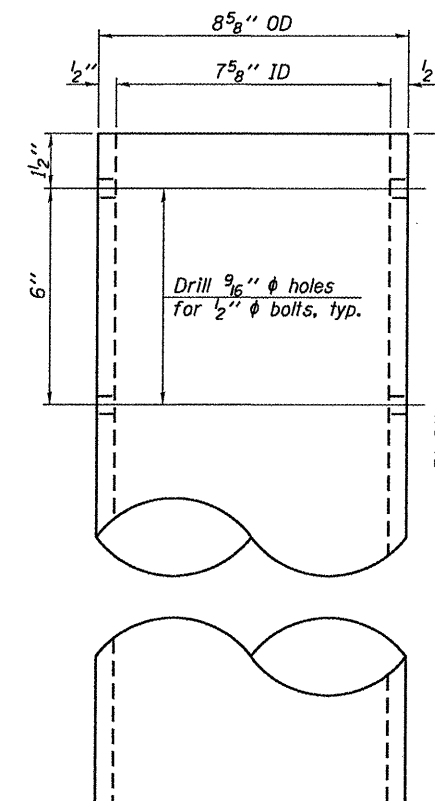
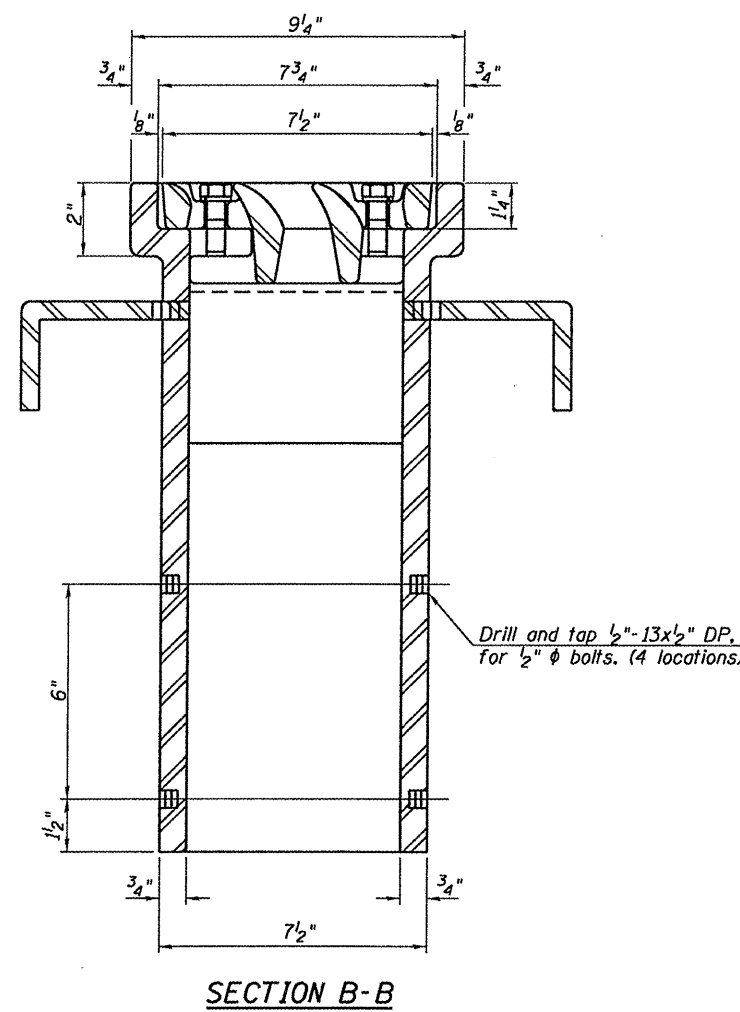


**Notes:**

All cast iron parts shall be gray iron conforming to the requirements of AASHTO M 105, Class 35B.  
 Bolts, anchor studs, washers and nuts shall conform to the requirements of ASTM A 307 and shall be galvanized according to AASHTO M 232.  
 Downspouts shall be pigmented or painted with a finish coat to match Federal Color Standard 595a 20045.  
 As an alternate, bolts, anchor studs, washers and nuts may be stainless steel according to Article 1006.29(d) of the Standard Specifications.  
 Structural steel weldments of equal sections and of the same configuration may be substituted for the cast iron scupper frame. Fillet or full penetration welds shall be used for the weldments. Details shall be submitted to the Engineer for approval. Structural steel weldments shall not be substituted for the cast iron scupper grate. Structural steel frames and downspouts shall be galvanized according to AASHTO M111.  
 The Contractor shall take appropriate measures to assure that Protective Coat is not applied to the scupper.  
 Cost of the Grate, Frame, Downspout, Anchor Studs, Bolts, Washers and Nuts including complete installation of the scupper shall be paid for at the contract unit price each for Drainage Scupper, DS-11.  
 Alternate fiberglass downspout conforming to ASTM D 2996 with a short-time rupture strength hoop tensile stress of 30,000 psi min. may be used in lieu of the cast iron or steel equivalent. The exterior surface of fiberglass downspouts shall be coated or pigmented by the manufacturer with a color to match Federal Color Standard 595a 20045.



**SECTION A-A**  
 See sheet 11 of 22 for scupper location relative to parapet.



**BILL OF MATERIAL**

ITEM	UNIT	QUANTITY
Drainage Scupper, DS-11	Each	14

**DRAINAGE SCUPPER, DS-11**  
 S.N. 043-3270

DESIGNED	J.A.M.
CHECKED	A.L.S.
DRAWN	S.A.P.
CHECKED	J.A.M. & A.L.S.

<p><b>FEHR-GRAHAM &amp; ASSOCIATES, LLC</b>                  ENGINEERING AND SCIENCE CONSULTANTS                  FREEPORT, IL ROCKFORD, IL ROCHELLE, IL MONROE, WI SPRINGFIELD, IL                  4440 ASH GROVE SPRINGFIELD, IL 62711 (217)-783-8800 www.fehr-graham.com</p>	C.H.	SECTION	COUNTY	TOTAL SHEETS	SHEET NO.
	9	06-00127-00-BR	JO DAVIESS	55	31
	SCOUT CAMP ROAD			CONTRACT NO. 85539	
ILLINOIS					