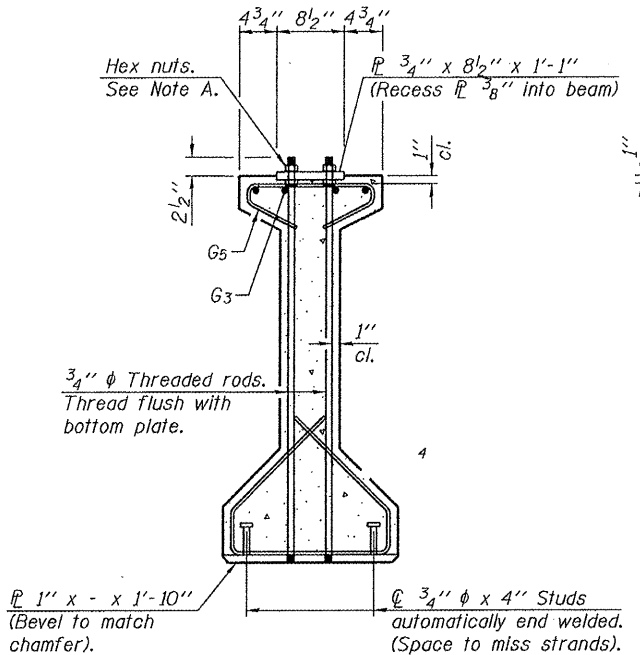


ELEVATION OF BEAM
(Showing reinforcement & dimensions)

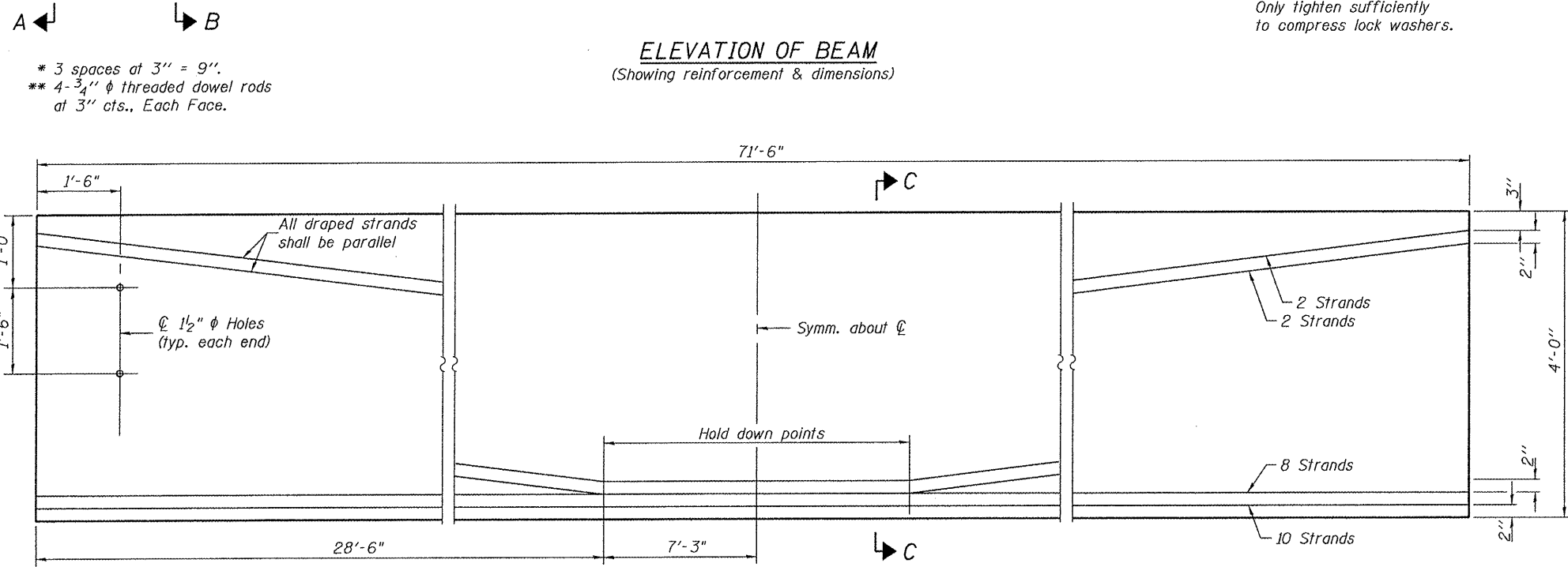
* 3 spaces at 3" = 9".
** 4-3/4" φ threaded dowel rods at 3" cts., Each Face.

Note A:
Hex nuts (top and bottom) with lock washers (top). Only tighten sufficiently to compress lock washers.

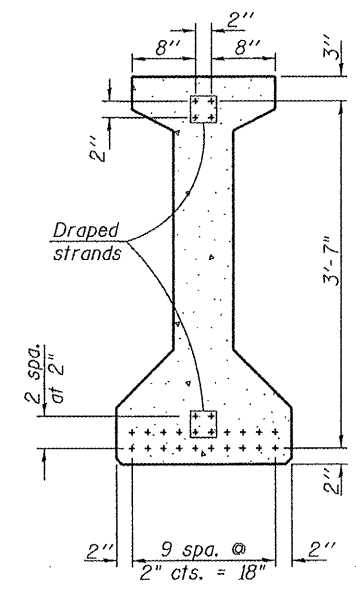


SECTION A-A

SECTION B-B



ELEVATION OF BEAM
(Showing prestressing steel)



SECTION C-C

*****BAR LIST**
ONE BEAM ONLY

Bar	No.	Size	Length	Shape
G ₁	111	#4	9'-6"	⊏
G ₂	12	#4	7'-11"	⊏
G ₃	12	#7	26'-0"	⊏
G ₄	38	#3	5'-3"	⊏
G ₅	72	#3	2'-9"	⊏

***For information only

Notes:
See sheet 8 of 13 for additional details and Bill of Material.
Required release strength, f'ci, shall be 5000 psi.

48" PPC I-BEAM
STRUCTURE NUMBER 101-3102

PROFESSIONAL DESIGN FIRM LICENSE #184-001084

<p>Hanson Professional Services Inc.</p>	SHEET NO. 7 13 SHEETS	F.A.S. RTE. 0052 SECTION 03-00324-00-BR COUNTY Winnebago	TOTAL SHEETS 24 SHEET NO. 15	CONTRACT NO. 85552
	DATE 12/16/11	FED. ROAD DIST. NO. 2 ILLINOIS FED. AID PROJECT		

P:\08\801\1003\03R1808\CADD\Struct\Sheet\1007-015-BeamDetail.dgn
 12/16/11
 SWK
 12/16/11
 SWK