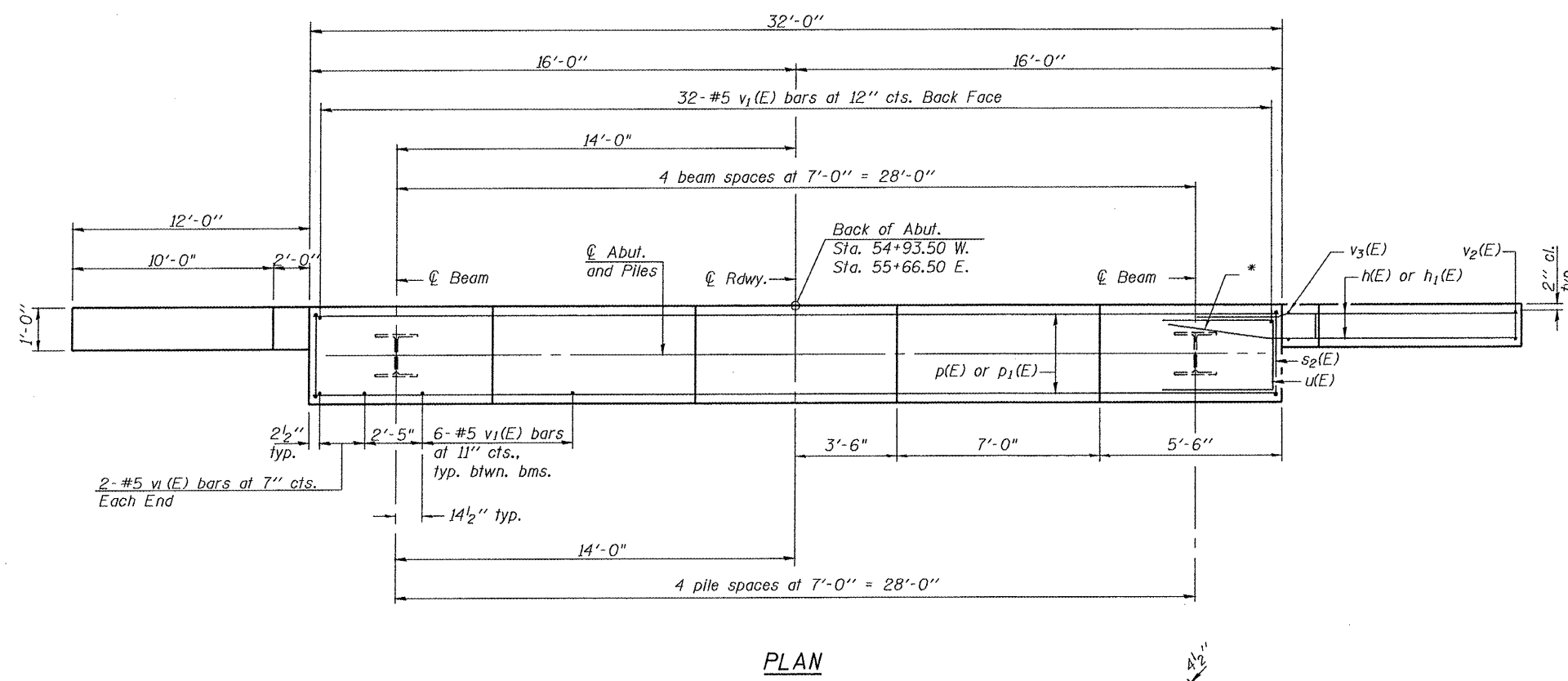
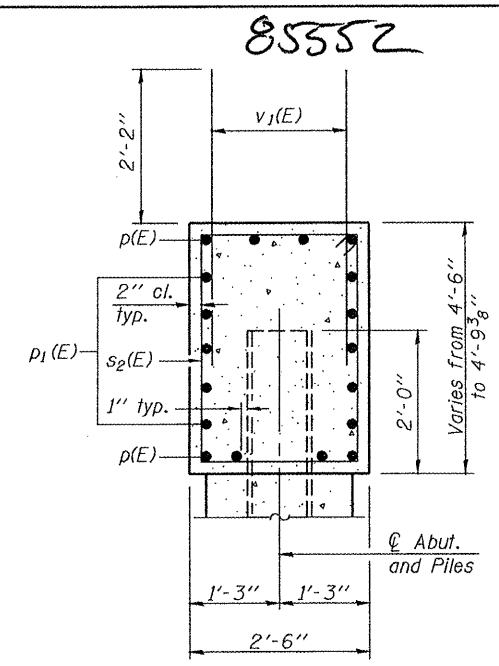
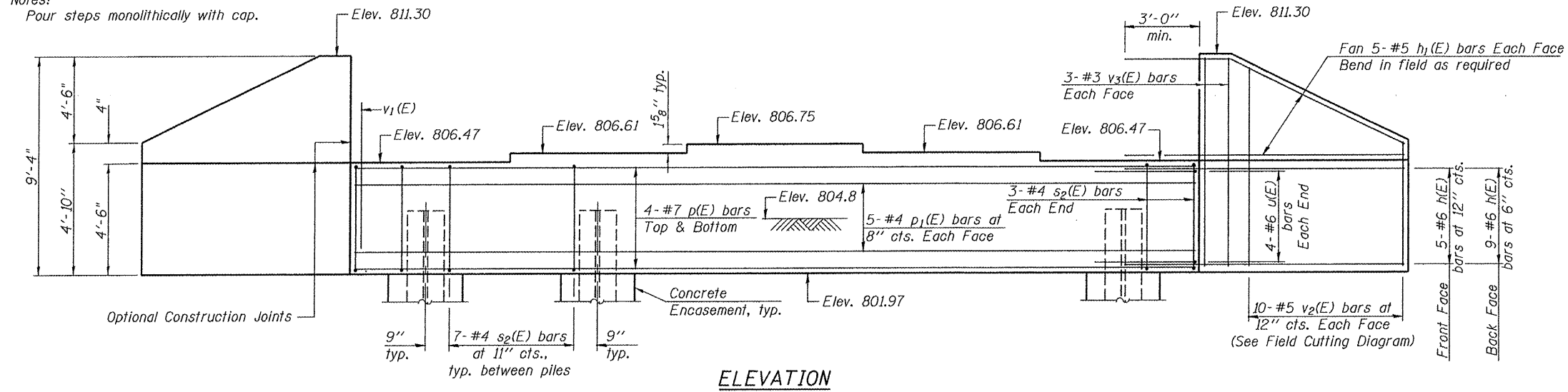


Notes:
Pour steps monolithically with cap.



BILL OF MATERIAL (TWO ABUTS)

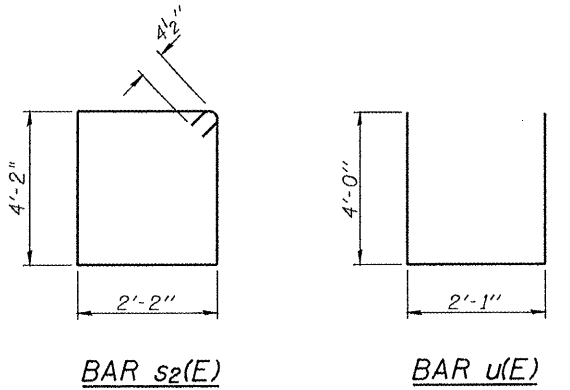
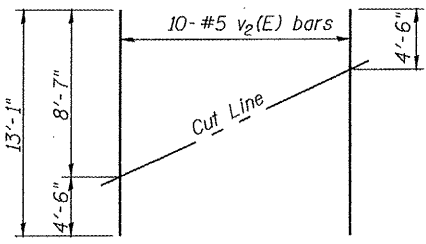
Bar	No.	Size	Length	Shape
* h(E)	56	#6	14'-4"	
* h ₁ (E)	40	#5	15'-9"	
p(E)	16	#7	31'-8"	
p ₁ (E)	20	#4	31'-8"	
s ₂ (E)	68	#4	13'-5"	□
u(E)	16	#6	10'-1"	□
v ₁ (E)	120	#5	4'-4"	
v ₂ (E)	40	#5	13'-1"	
v ₃ (E)	24	#5	9'-0"	
Structure Excavation		Cu. Yd.	253.0	
Concrete Structures		Cu. Yd.	40.6	
Reinforcement Bars, Epoxy Coated		Pound	5490	
Furnishing Steel Piles, HP12x53		Foot	352	
Driving Piles		Foot	352	
Test Pile, HP12x53		Each	2	
Concrete Encasement		Cu. Yd.	3.5	
Pile Shoes		Each	8	

* Field bend h(E) and h₁(E) in front face to avoid interference with piles and beams.

For details of piles and Concrete Encasement, see sheet 11 of 13.

PILE DATA

Type: HP12x53
 Nominal Required Bearing: 400k
 Factored Resistance Available: 220k
 Est. Length: 44'-W. Abut.; 44'-E. Abut.
 No. Production Piles: 8 (4 each abut.)
 * No. Test Piles: 2 (1 each abut.)
 * Test pile shall be one of the interior piles.



**ABUTMENTS
STRUCTURE NUMBER 101-3102**

PROFESSIONAL DESIGN FIRM LICENSE #184-001084

© Copyright Hanson Professional Services Inc. 2011

HANSON
Hanson Professional Services Inc.

JOB NO. 03R1808 SHEET NO. 10
DATE 12/16/11 13 SHEETS

F.A.S. RTE. 0052	SECTION 03-00324-00-BR	COUNTY Winnebago	TOTAL SHEETS 24	SHEET NO. 18
CONTRACT NO. 85552				
FED. ROAD DIST. NO. 2 ILLINOIS FED. AID PROJECT				

12/06/2011
 11:03:06 AM
 C:\ADD\Struct\Sheet\5-010-018-abutments.dgn
 LAYOUT: SWK 12/25/11
 DRAWN: JUM 12/16/11
 REVIEWED: SWK 12/16/11