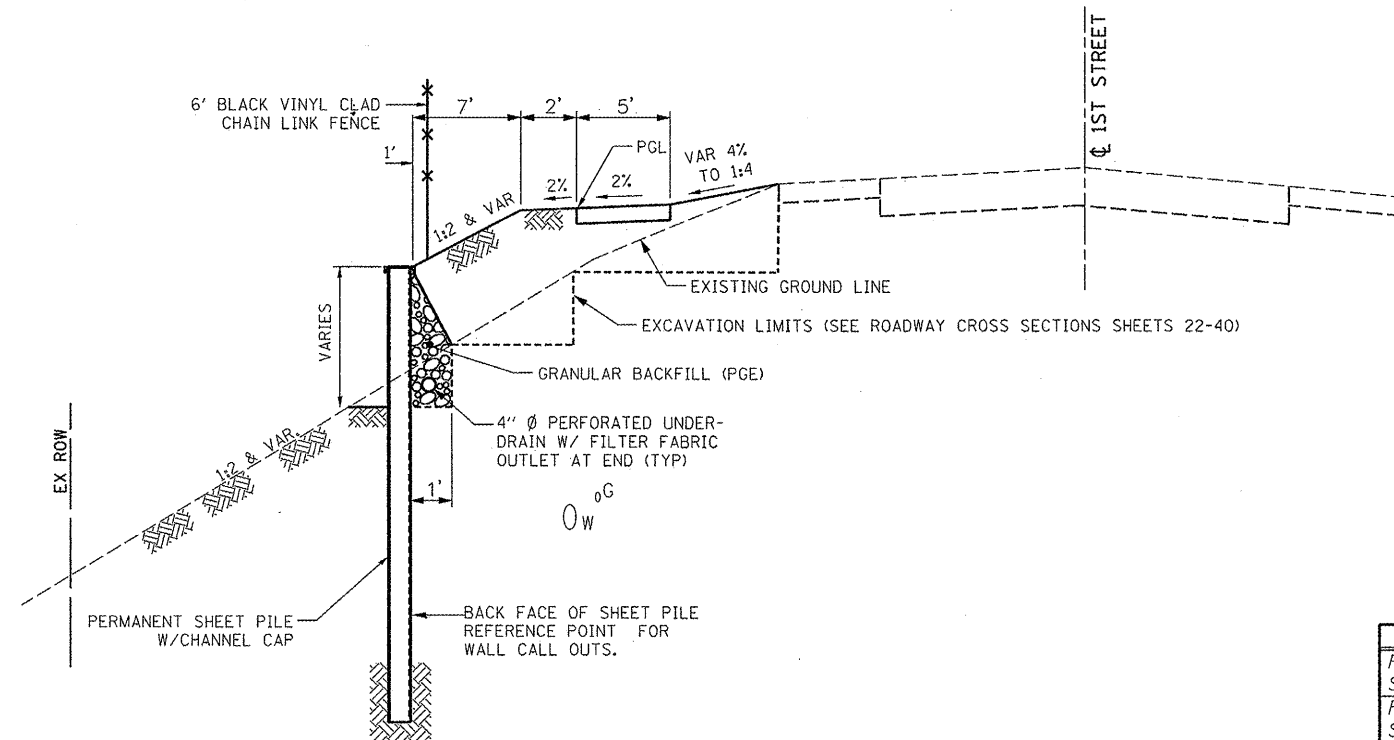


GENERAL NOTES

- Contractor shall submit, for review and approval, shop drawings that detail fabrication, erection, installation, etc. of permanent steel sheet pilings and pile caps.
- Permanent sheet pile shall meet requirements of ASTM A328. Sheet pile shall have an effective section modulus meeting or exceeding 10.9 in³/ft with a C15x33.9 cap. Use of an alternative section is subject to approval of the engineer. See special provisions for additional information.
- All earth and structure excavation shall not be paid for separately but shall be included in permanent steel sheet pile.
- For backfilling and embankment, see the Standard Specifications.
- No overhaul has been computed and none shall be paid for from any source.
- The waler beam shall have an effective section modulus meeting or exceeding 70.6 in³/ft. See Special Provisions for painting requirements.

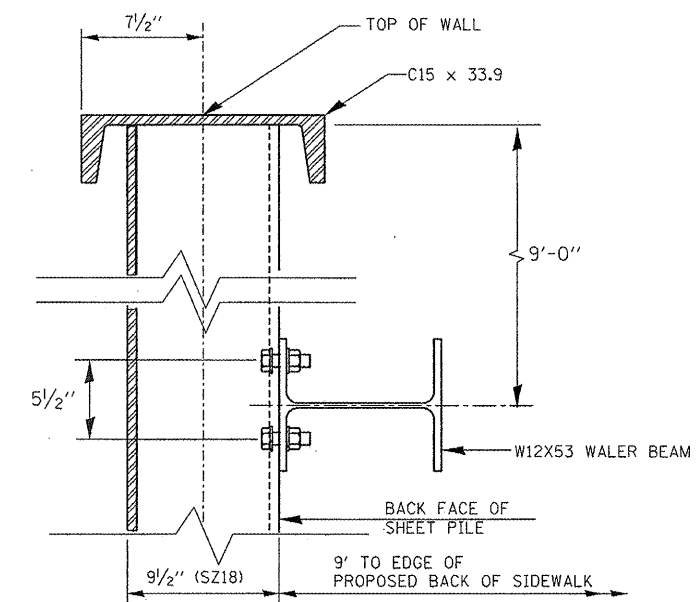


TYPICAL SHEET PILE WALL SECTION 1-1

STA. 17+15 TO STA. 18+00
STA. 19+50 TO STA. 20+40
N.T.S.

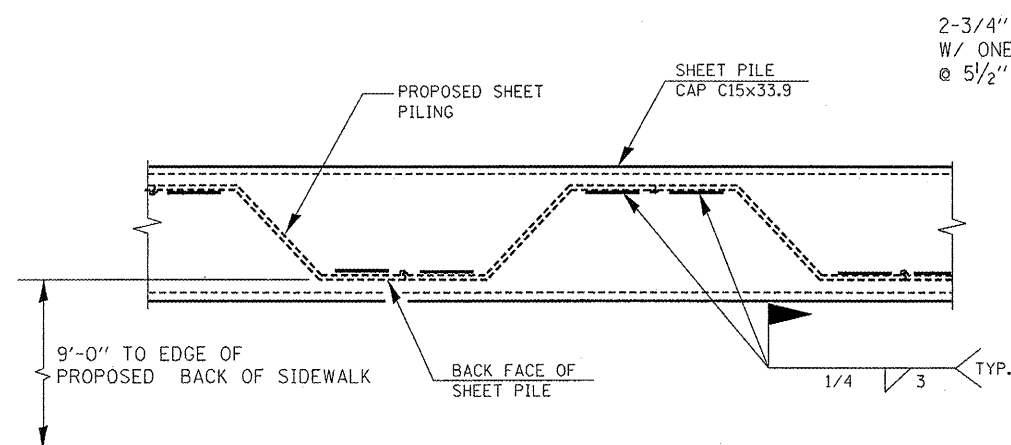
BILL OF MATERIALS

Item	Unit	Total
Permanent Steel Sheet Piling	Sq. Ft.	3,106
Furnishing and Erecting Structural Steel	Pound	7,331
Pipe Underdrains 4" (Special)	Ft.	197.5
Concrete Headwalls for Pipe Drains	Each	2



SECTION C-C

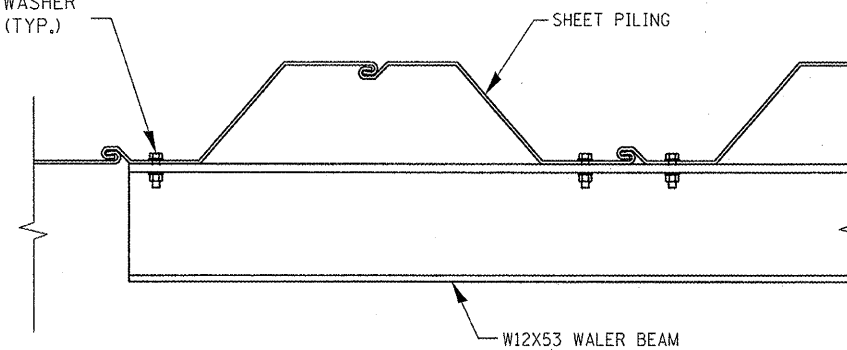
AT STA. 19+44.17
N.T.S.



SECTION A-A

CAP WELD DETAIL
N.T.S.

2-3/4" Ø ASTM A325 BOLTS
W/ ONE HARDENED WASHER
@ 5 1/2" C/C VERT. (TYP.)



SECTION B-B

WALER BEAM DETAIL
N.T.S.

Exp. 11/30/12



John B. Fellman
1-16-2012

FILE NAME =
SHT-RET WALL.DGN

USER NAME = PAR

DESIGNED - MHM

REVISED -

DRAWN - PAR

REVISED -

PLOT SCALE = 1"=1'

CHECKED - BAJ

REVISED -

PLOT DATE = 01-13-12

DATE - 01-13-12

REVISED -

STATE OF ILLINOIS
DEPARTMENT OF TRANSPORTATION

1ST STREET SIDEWALK
SPECIAL DETAIL DRAWINGS

SCALE: SHEET NO. 7 OF 7 SHEETS STA. 7+63.74 TO STA. 23+59.93

F.A. RTE.	SECTION	COUNTY	TOTAL SHEETS	SHEET NO.
	10-00019-00-SW	ROCK ISLAND	40	22
CONTRACT NO. 85555			ILLINOIS FED. AID PROJECT	