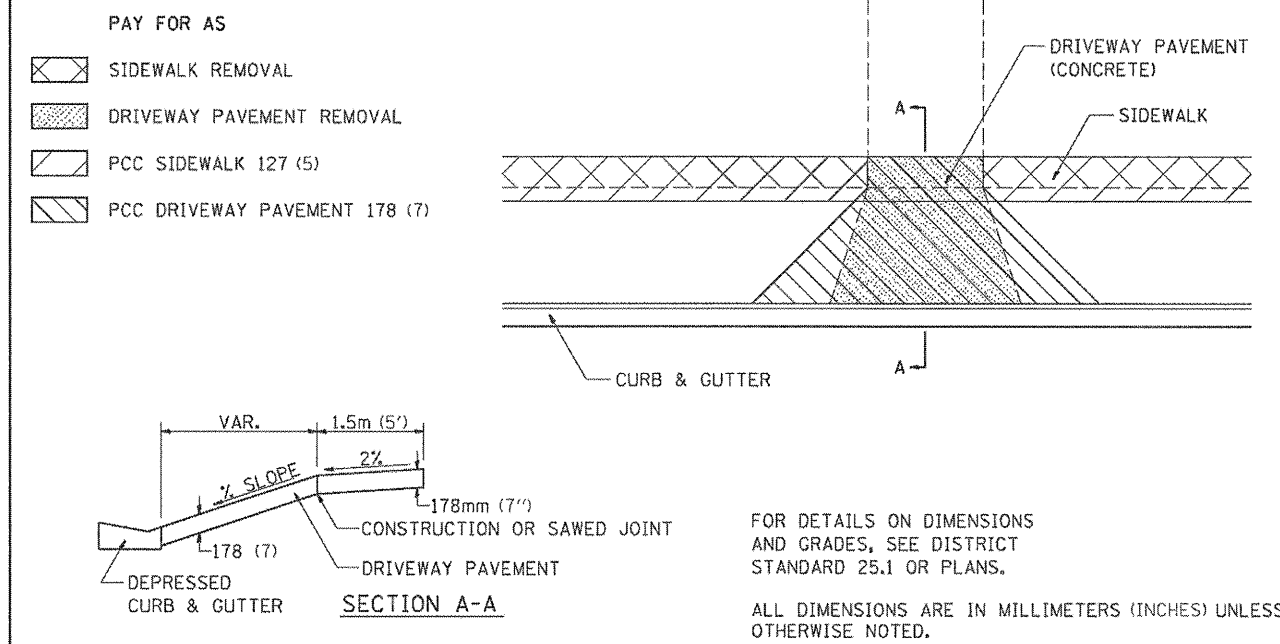


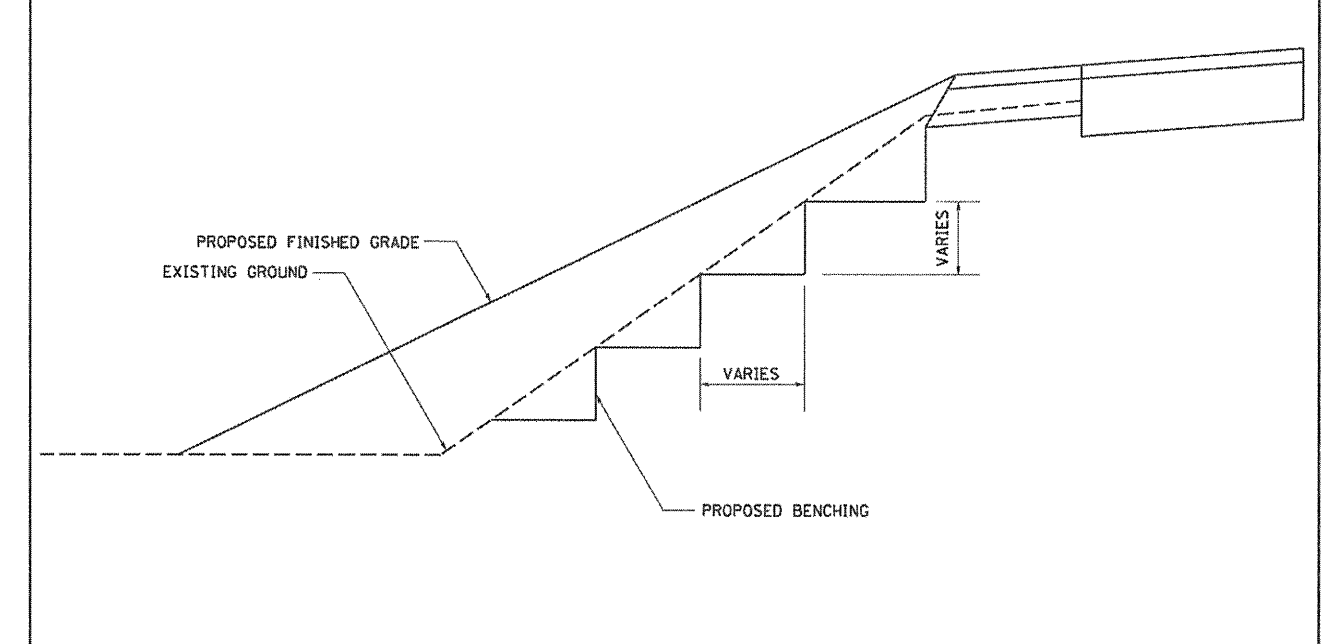
SIDEWALK AND DRIVEWAY PAVEMENT PAY AREAS



REVISED - 10-15-04	REGION 2 / DISTRICT 2 STANDARD				F.A. RTE.	SECTION	COUNTY	TOTAL SHEETS	SHEET NO.
REVISED -									
REVISED -					CONTRACT NO.				
REVISED -	SCALE: 1:8000	SHEET NO.	OF	SHEETS	STA.	TO STA.	FED. ROAD DIST. NO.	ILLINOIS FED. AID PROJECT	
PLOT DATE = Fri Oct 15 11:09:07 2010									

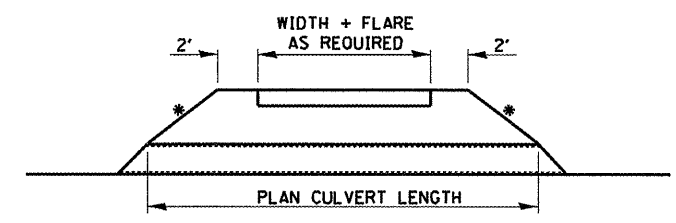
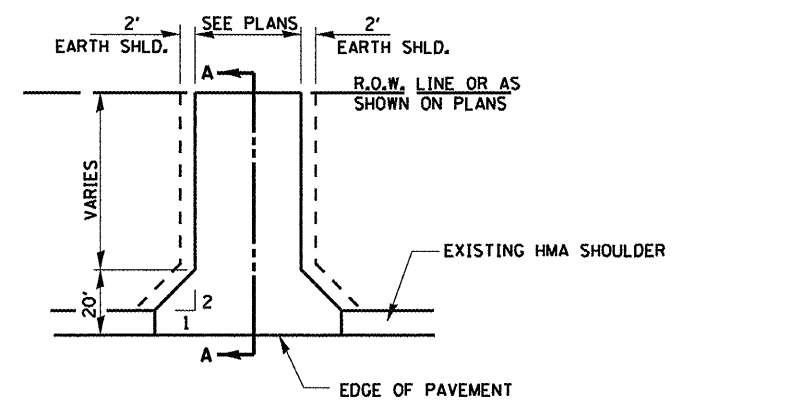
SIDEWALK AND DRIVEWAY PAVEMENT PAY AREAS 35.4

TYPICAL BENCHING ON EXISTING EMBANKMENT



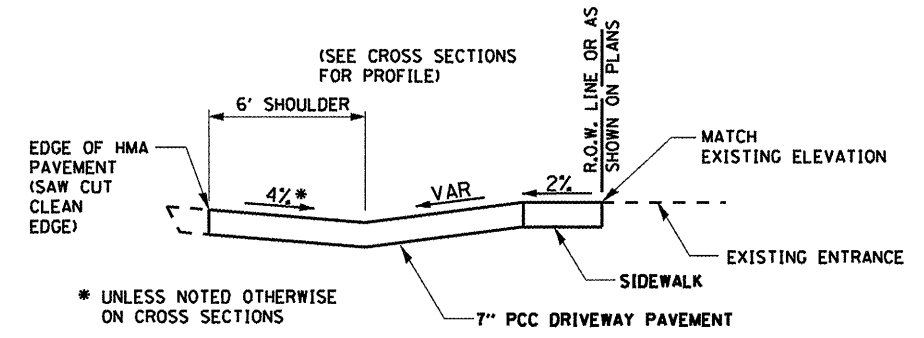
REVISED - 2-22-06	REGION 2 / DISTRICT 2 STANDARD				F.A. RTE.	SECTION	COUNTY	TOTAL SHEETS	SHEET NO.
REVISED -									
REVISED -					CONTRACT NO.				
REVISED -	SCALE: 1:8000	SHEET NO.	OF	SHEETS	STA.	TO STA.	FED. ROAD DIST. NO.	ILLINOIS FED. AID PROJECT	
PLOT DATE = Fri Oct 15 11:09:15 2010									

TYPICAL BENCHING ON EXISTING EMBANKMENT 50.4



RURAL ENTRANCE DETAIL

* USE 1:6 SLOPE OR MATCH EXIST. FORESLOPE (USE FLATTER OF TWO.)



SECTION A-A

FILE NAME = SH1-DIST2.DGN	USER NAME = PAR	DESIGNED - BAJ	REVISED -	STATE OF ILLINOIS DEPARTMENT OF TRANSPORTATION	1ST STREET SIDEWALK DISTRICT 2 STANDARDS	F.A. RTE.	SECTION	COUNTY	TOTAL SHEETS	SHEET NO.	
		DRAWN - PAR	REVISED -			10-00019-00-SW	ROCK ISLAND	40	23		
		CHECKED - BAJ	REVISED -			CONTRACT NO. 85555					
		DATE - 01-13-12	REVISED -			SCALE:	SHEET NO. 1 OF 1 SHEETS	STA. 7+63.74 TO STA. 23+59.93	ILLINOIS FED. AID PROJECT		