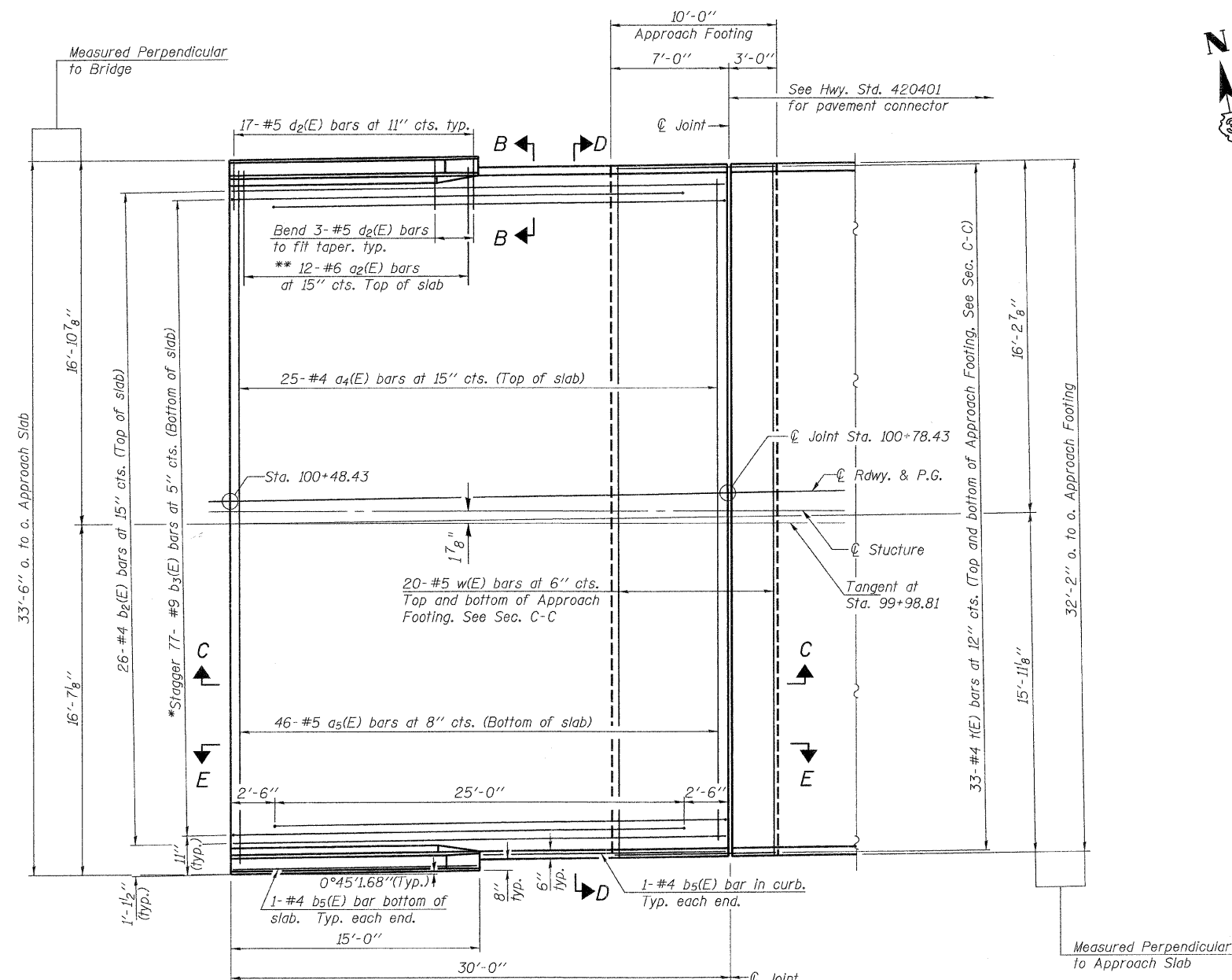
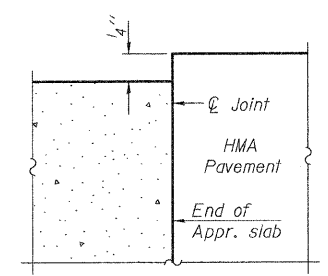


Notes:  
 See sheet 13 of 23 for Sections C-C & D-D and View E-E.  
 a<sub>4</sub>(E) and a<sub>5</sub>(E) bar spacings measured along  $\phi$  App. Fvmt.  
 See sheet 2 of 23 for offset sketch.

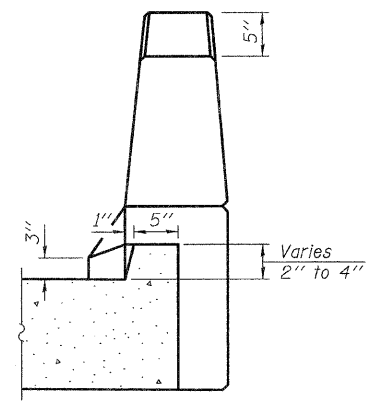


PLAN

\* Tilt #9 b<sub>3</sub>(E) bars as required to maintain clearance.  
 \*\* Space between a<sub>4</sub>(E) bars, typ. ea. parapet.



FLEXIBLE PAVEMENT  
 DETAIL A



VIEW B-B

DESIGNED	NPH
CHECKED	BAN
DRAWN	RMD
CHECKED	BAN

**EAST BRIDGE APPROACH SLAB DETAILS**  
 RIVER RD. (F.A.U. 3799) OVER  
 BLACKBERRY CREEK  
 SECTION 08-00036-00-BR  
 KENDALL COUNTY  
 STATION 99+98.81

SHEET NO. 12 23 SHEETS	ROUTE NO.	SECTION	COUNTY	TOTAL SHEETS	SHEET NO.
	FAU 3799	08-00036-00-BR	KENDALL	54	33
SN 047-6500			CONTRACT NO. 87509		
FED. ROAD DIST. NO. 7 ILLINOIS			FED. AID PROJECT BRM-9003(883)		