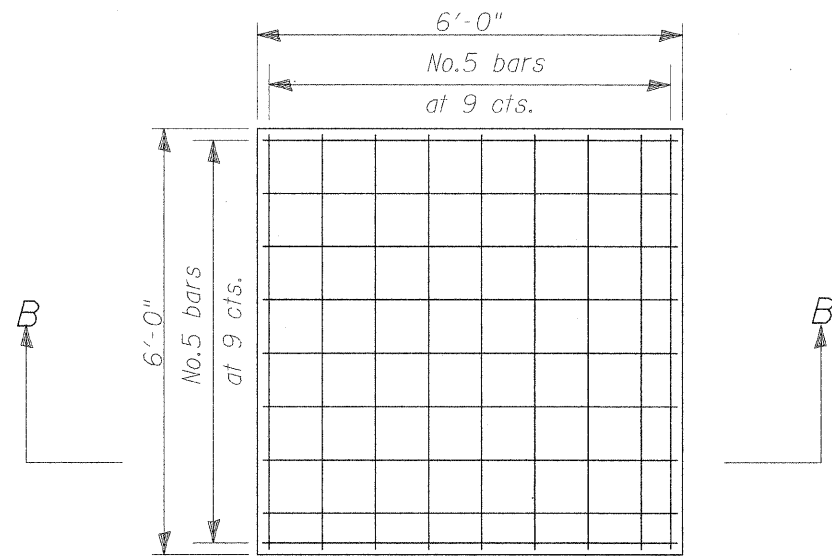
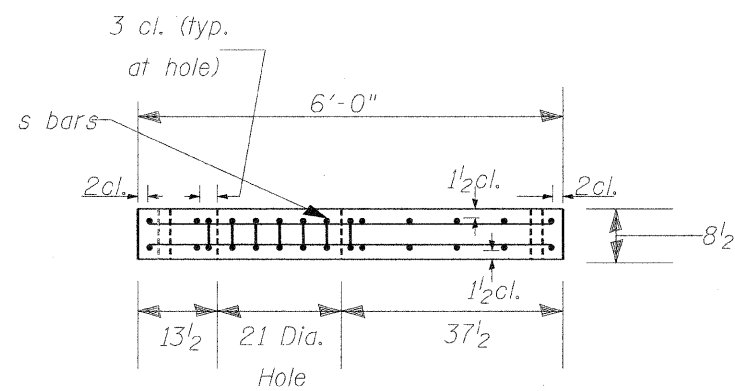


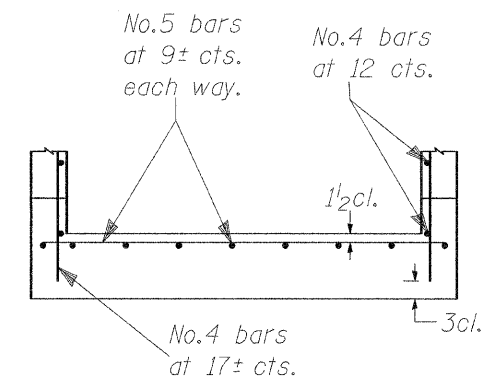
S:\HDATA\OwrPlanning\Draws in Illinois\Blackberry_Creek\CAD\Owr_COE_Plans\206-602101-01_DrainStruc_OWR_IDOT_STD.dgn
 9:31:20 AM
 10/21/2011
 Designed By BAW Checked By TMM
 Drawn By BAW Checked By TMM



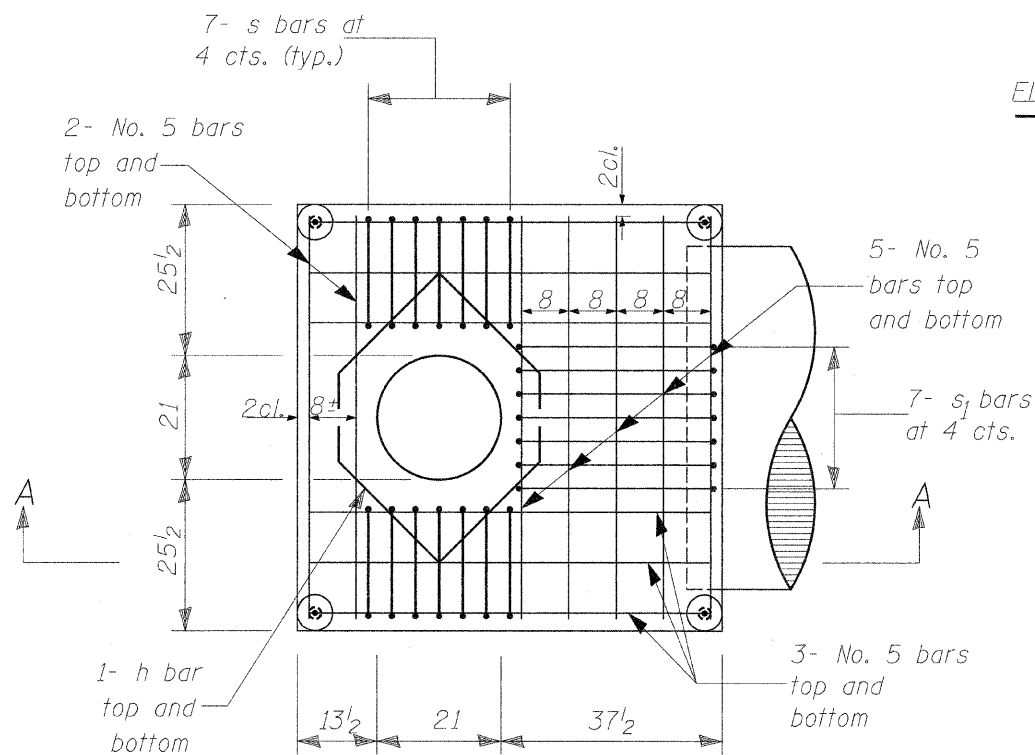
**PLAN-BOTTOM SLAB
REBAR DETAIL**



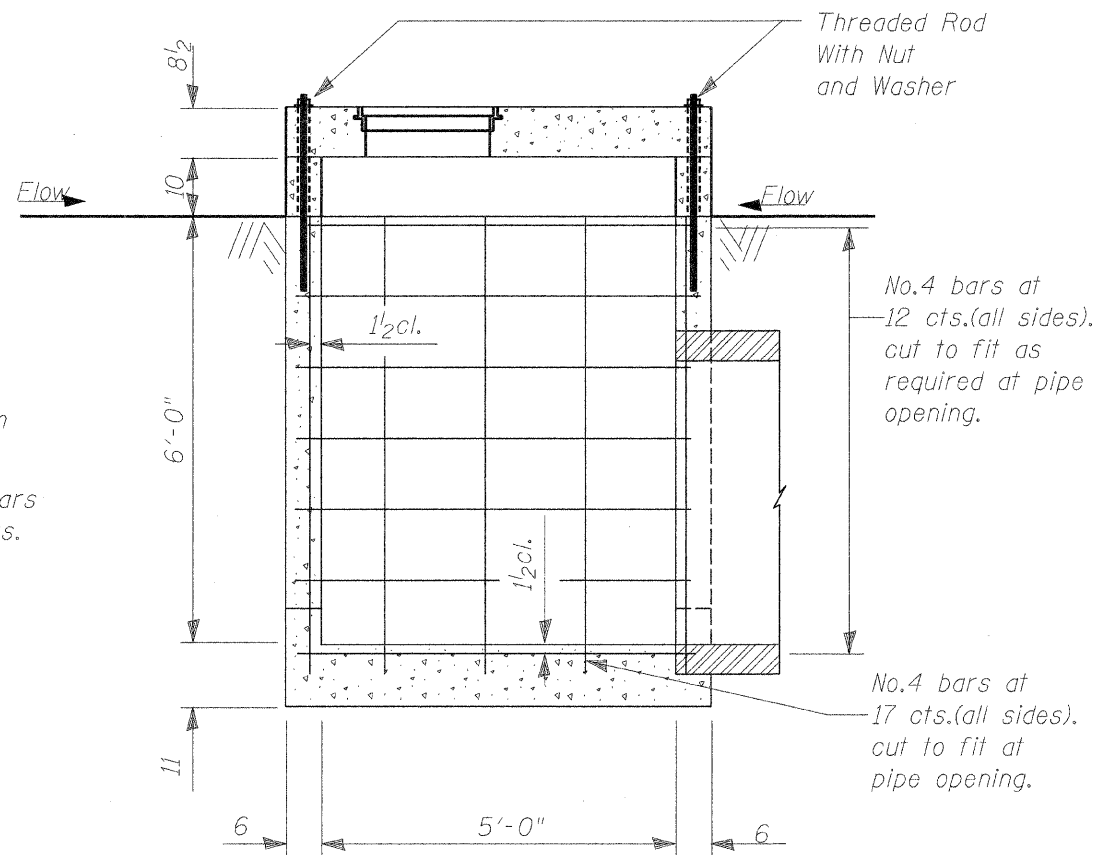
SECTION A-A



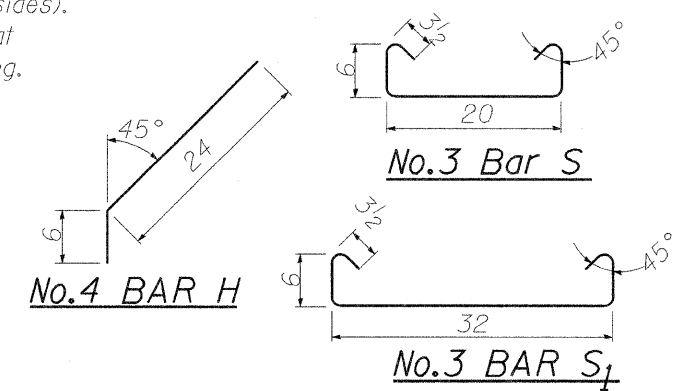
SECTION B-B



**PLAN-TOP SLAB
REBAR DETAIL**



**SIDE ELEVATION
REBAR DETAIL**



*** BILL OF MATERIAL**
(For Information Only)

Bar No.	Size	Length	Shape
h	#8	2'-6"	
s	#3	3'-3"	
s1	#3	4'-3"	
lid_x	#5	5'-8"	—
lid_y	#5	5'-8"	—
base	#5	5'-8"	—
box_x	#4	5'-8"	—
box_y	#4	6'-6"	—
1" Threaded Rod		Ea.	4
33" length			
Nut for 1" Threaded Rod		Ea.	4
Washer for 1" Threaded Rod		Ea.	4
2' Dia. Manhole Frame With Solid Lid		Ea.	1
10" Concrete Spacers 6" Dia.		Ea.	4
Concrete for Lid		Cu. Yd.	0.9
Concrete for Box		Cu. Yd.	3.4
Steps		Ea.	4
Structure Excavation		Cu. Yd.	25.6

* Cost of all items listed in Bill of Material included with "Drainage Structure Special"

All dimensions are in inches unless otherwise shown.