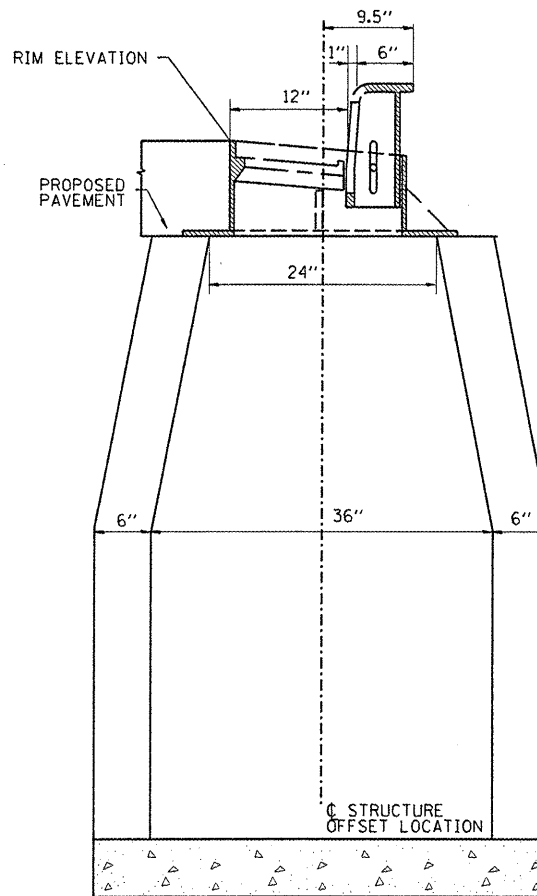
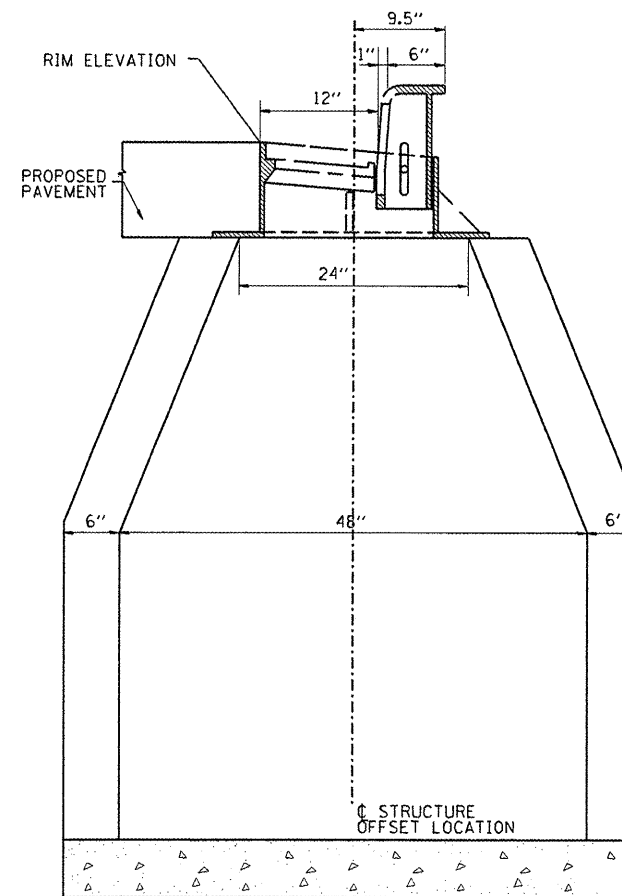


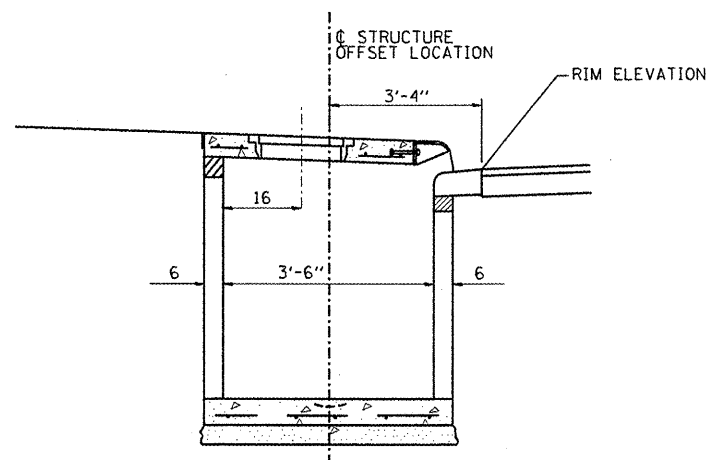
**INLET, TYPE A**



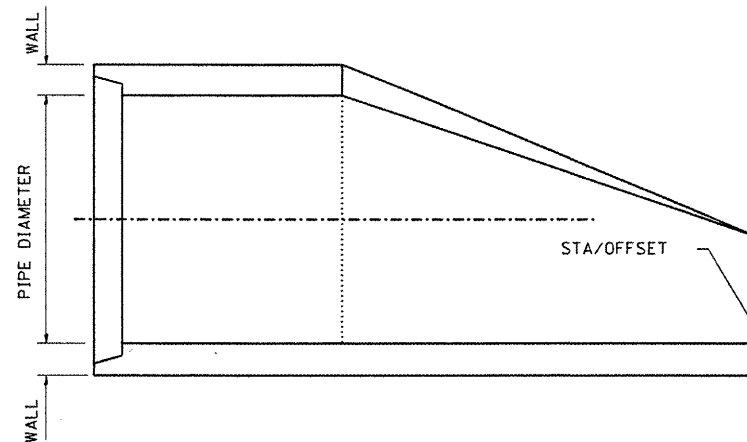
**INLET, TYPE B**



**MANHOLE, TYPE A**



**INLETS, SPECIAL**



**PRECAST REINFORCED END SECTION DETAIL**

FILE NAME =	USER NAME = dows00878	DESIGNED -	REVISED -
I:\08\Jobs\08L0212\CAD\Road\Sheet\c-504	det.dgn	DRAWN -	REVISED -
PLOT SCALE = 20.0000 / in.	CHECKED -	PLotted -	REVISED -
PLOT DATE = 09/14/2011	DATE -	DATE -	REVISED -

**STATE OF ILLINOIS  
 DEPARTMENT OF TRANSPORTATION**

**PETRI LANE  
 DRAINAGE DETAIL SHEET**

F.A.U. RTE.	SECTION	COUNTY	TOTAL SHEETS	SHEET NO.
6698	10-00183-00-FP	TAZEWELL	81	55
FED. ROAD DIST. NO. [ILLINOIS] FED. AID PROJECT M-5093 (154)				

SCALE: SHEET NO. OF SHEETS STA. TO STA.