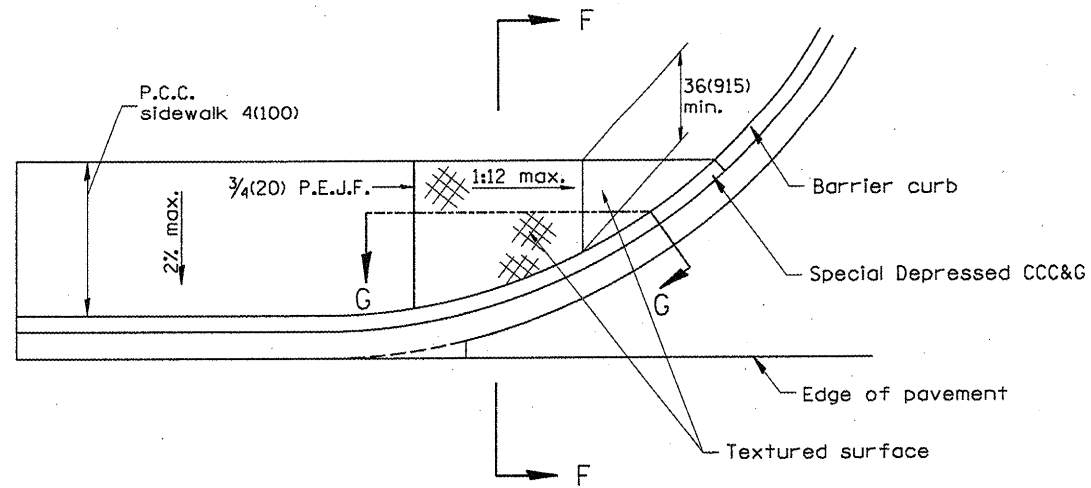
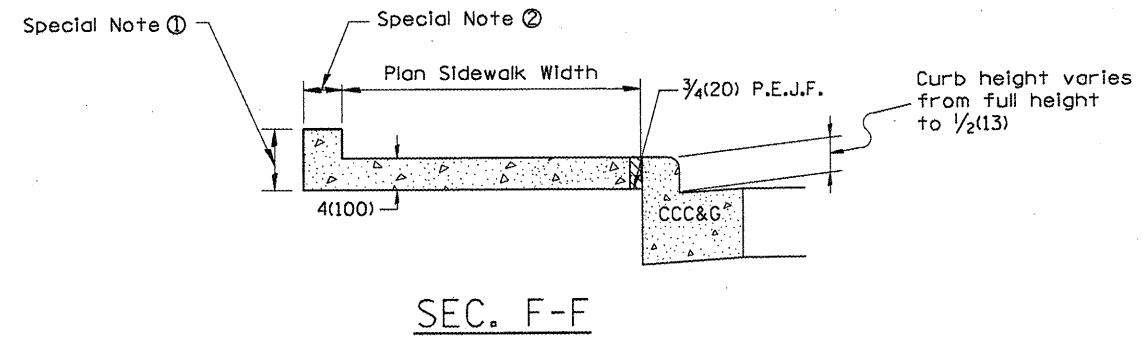
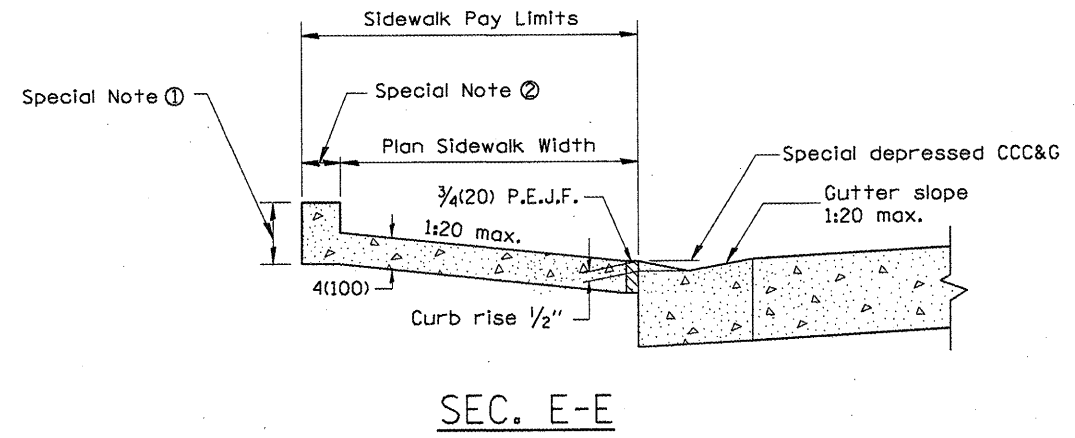
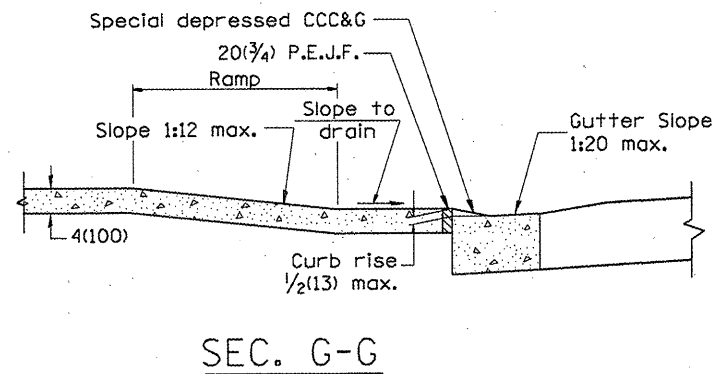


CASE 3
TYPE B DIAGONAL RAMP WITH CURBLIN SIDEWALK



CASE 4
TYPE B RAMP WITH CURBLIN SIDEWALK



All dimensions are in inches (millimeters) unless otherwise noted.

--	--	--	--	--	--	--	--	--	--

STATE OF ILLINOIS
DEPARTMENT OF TRANSPORTATION

SIDEWALK RAMPS, ACCESSIBLE TO THE DISABLED

NOT TO SCALE

SHT. 2 OF 2
CADD STD. 424001-D4

F.A. RTE.	SECTION	COUNTY	TOTAL SHEETS	SHEET NO.
				85
CONTRACT NO. 89595			ILLINOIS FED. AID PROJECT	