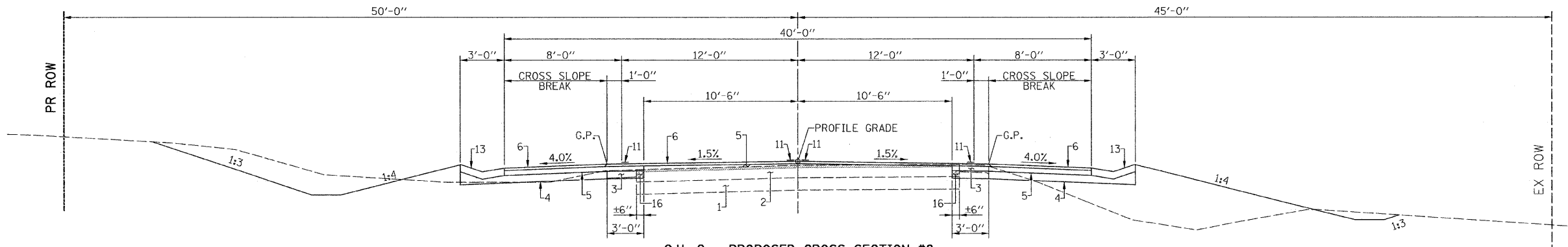
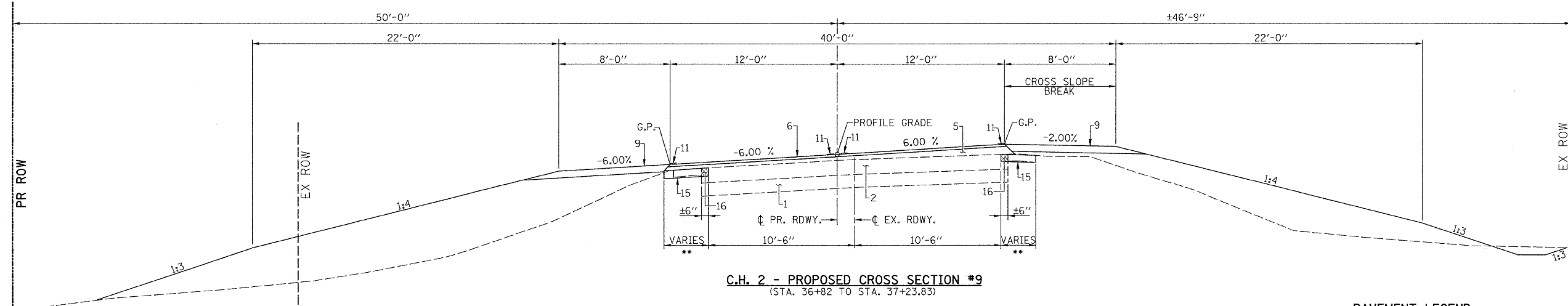


** SEE CROSS SECTIONS FOR ACTUAL DIMENSIONS

C.H. 2 - PROPOSED CROSS SECTION #7
(STA. 28+00 TO STA. 35+94)

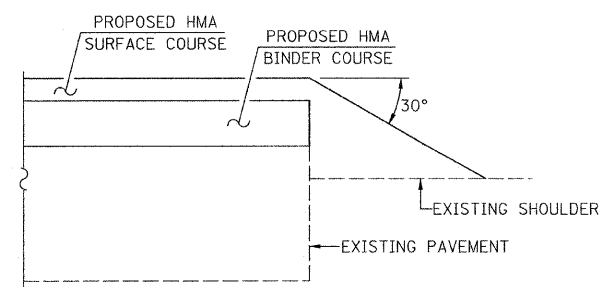


C.H. 2 - PROPOSED CROSS SECTION #8
(STA. 35+94 TO STA. 36+82)



C.H. 2 - PROPOSED CROSS SECTION #9
(STA. 36+82 TO STA. 37+23.83)

** 3'-0" - STA. 36+82 TO STA. 38+00



SAFETY EDGE AT EDGE OF PAVEMENT
STA. 36+82 TO STA. 52+50

- PAVEMENT LEGEND**
- EXISTING AGGREGATE BASE COURSE (VARIABLE DEPTH)
 - EXISTING HOT MIX ASPHALT OVERLAYS (VARIABLE DEPTH)
 - EXISTING AGGREGATE SHOULDER
 - PROPOSED AGGREGATE BASE COURSE TYPE A (6")
 - PROPOSED HOT MIX ASPHALT BINDER COURSE IL-19.0 N50 (VARIABLE DEPTH)
 - PROPOSED HOT MIX ASPHALT SURFACE COURSE, MIX. C N50 (2")
 - PROPOSED AGGREGATE BASE COURSE 9"
 - PROPOSED HOT MIX ASPHALT SURFACE REMOVAL VARIABLE DEPTH (2" MIN.)
 - PROPOSED AGGREGATE SHOULDERS TYPE A (6")
 - PROPOSED EARTH SHOULDER
 - PROPOSED PAINT PAVEMENT MARKING LINE 4"
 - PROPOSED AGGREGATE SHOULDERS TYPE A (4")
 - PROPOSED TYPE A GUTTER
 - AGGREGATE DITCH
 - PROPOSED HOT MIX ASPHALT BASE COURSE WIDENING (6")
 - PAVEMENT REMOVAL
 - PROPOSED AGGREGATE BASE (12")

▨ - INDICATES HMA SURF. REMOVAL
▩ - INDICATES HMA PAVEMENT REMOVAL

FILE NAME =	USER NAME = #USERS	DESIGNED -	REVISED -	<p>Allen Henderson & Associates, Inc. Civil and Structural Engineers Springfield, IL 62703 Phone: (217)544-8033 IL Design Firm No. 184-001907</p>	<p>TYPICAL SECTIONS</p> <p>SCALE: NONE</p>	F.A.S. RTE.	SECTION	COUNTY	TOTAL SHEETS	SHEET NO.	
#FILE#	PLOT SCALE = #SCALE#	DRAWN -	REVISED -			574	08-00056-03-PV	MENARD	52	5	
	PLOT DATE = #DATE#	CHECKED -	REVISED -			CONTRACT NO. 93558					
		DATE -	REVISED -			FED. ROAD DIST. NO. ILLINOIS FED. AID PROJECT					