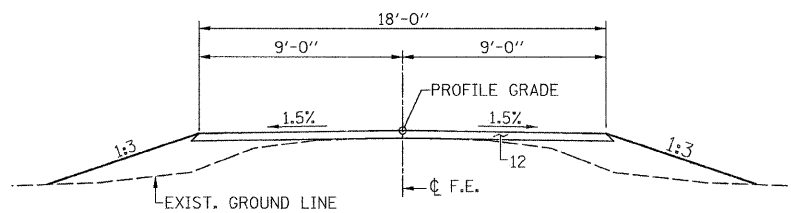
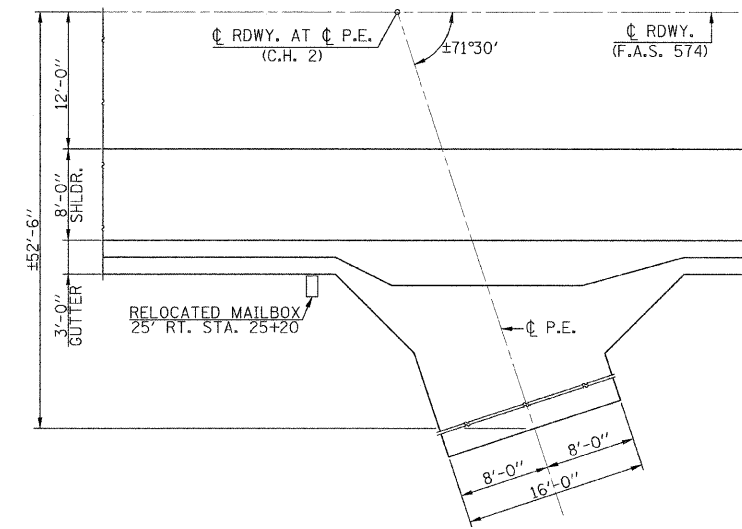


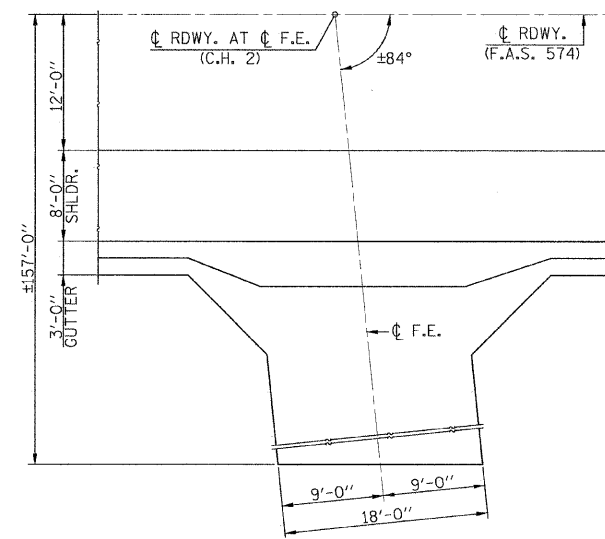
**CROSS SECTION**  
(P.E - STA. 25+27.5 RT.)



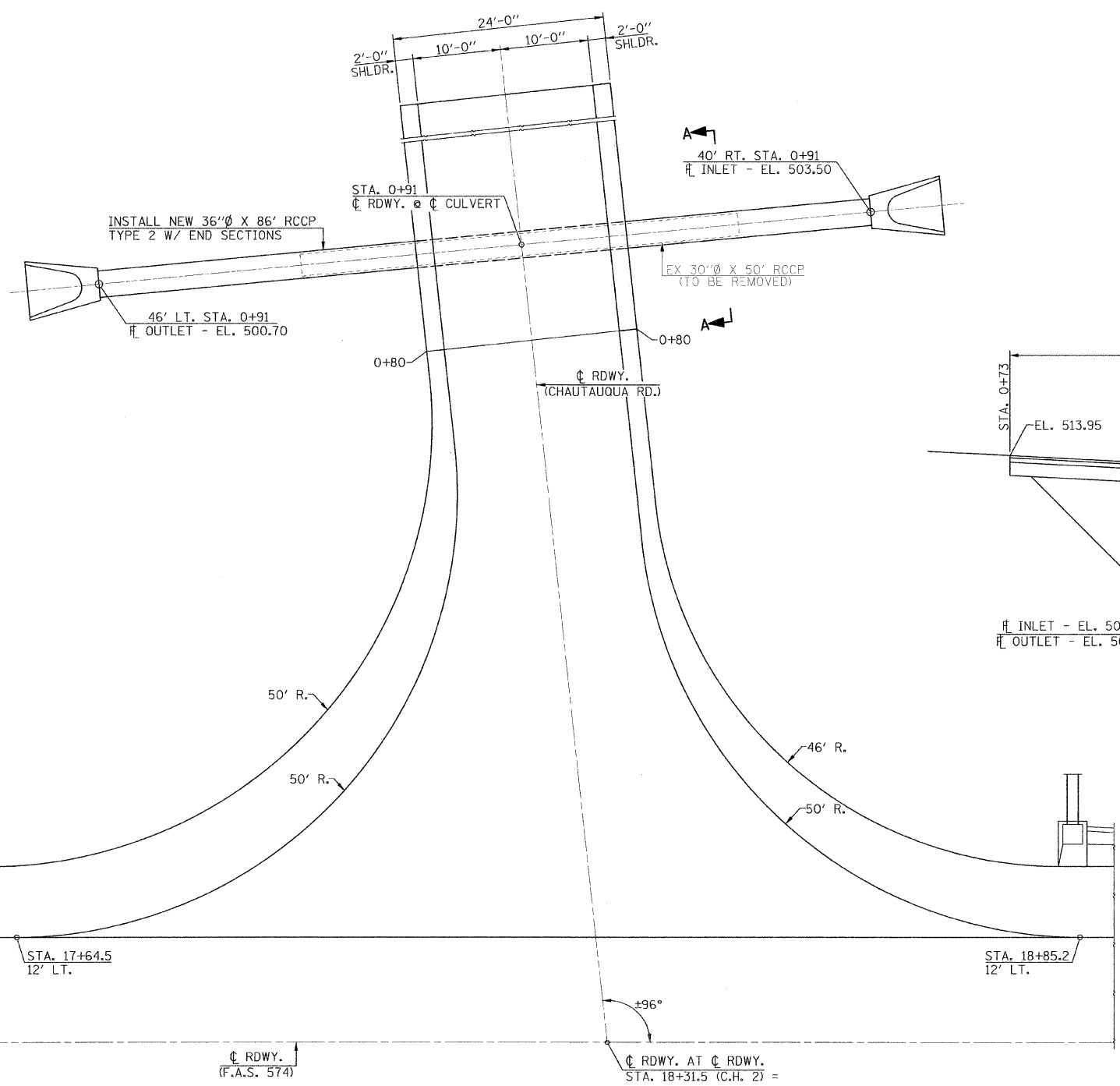
**CROSS SECTION**  
(F.E - STA. 21+79 RT.)



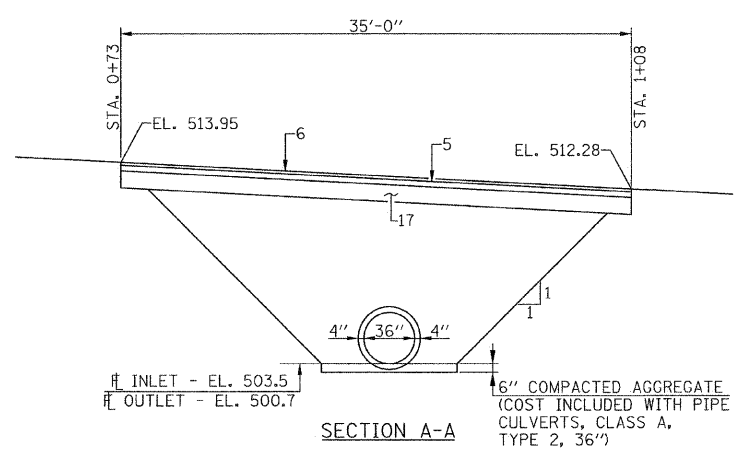
**PLAN**  
(P.E - STA. 25+27.5 RT.)



**PLAN**  
(F.E - STA. 21+79 RT.)



**PLAN**  
STA. 18+31.5 (C.H. 2) = STA. 0+00 (CHAUTAUQUA RD.)



**SECTION A-A**

- PAVEMENT LEGEND**
1. EXISTING AGGREGATE BASE COURSE (VARIABLE DEPTH)
  2. EXISTING HOT MIX ASPHALT OVERLAYS (VARIABLE DEPTH)
  3. EXISTING AGGREGATE SHOULDER
  4. PROPOSED AGGREGATE BASE COURSE TYPE A (6")
  5. PROPOSED HOT MIX ASPHALT BINDER COURSE IL.-19.0 N50 (VARIABLE DEPTH)
  6. PROPOSED HOT MIX ASPHALT SURFACE COURSE, MIX. C N50 (2")
  7. PROPOSED AGGREGATE BASE COURSE 9"
  8. PROPOSED HOT MIX ASPHALT SURFACE REMOVAL VARIABLE DEPTH (2" MIN.)
  9. PROPOSED AGGREGATE SHOULDERS TYPE A (6")
  10. PROPOSED EARTH SHOULDER
  11. PROPOSED PAINT PAVEMENT MARKING LINE 4"
  12. PROPOSED AGGREGATE SHOULDERS TYPE A (4")
  13. PROPOSED TYPE A GUTTER
  14. AGGREGATE DITCH
  15. PROPOSED HOT MIX ASPHALT BASE COURSE WIDENING (6")
  16. PAVEMENT REMOVAL
  17. PROPOSED AGGREGATE BASE (12")

FILE NAME =	USER NAME =	DESIGNED - RKA	REVISED -	<b>Allen Henderson &amp; Associates, Inc.</b> Civil and Structural Engineers Springfield, IL 62703 Phone: (217)544-8033 IL Design Firm No. 184-001907	<b>ENTRANCE AND INTERSECTION DETAILS</b>	F.A.S. RTE. =	SECTION	COUNTY	TOTAL SHEETS	SHEET NO.	
#FILES#	PLOT SCALE =	DRAWN - RKA	REVISED -			574	08-00056-03-PV	MENARD	52	8	
PLOT DATE = #DATE#	DATE	CHECKED - CPK	REVISED -			CONTRACT NO. 93558					
	DATE	04/10/08	REVISED -			SCALE: 1" = 8'	STA. 13+55.00 TO STA. 52+50.00	FED. ROAD DIST. NO.	ILLINOIS FED. AID PROJECT		