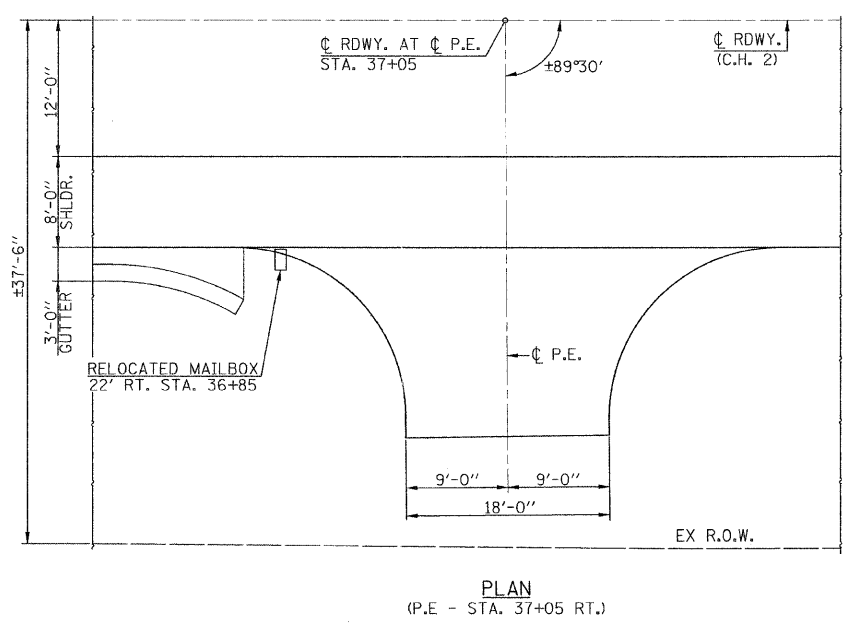
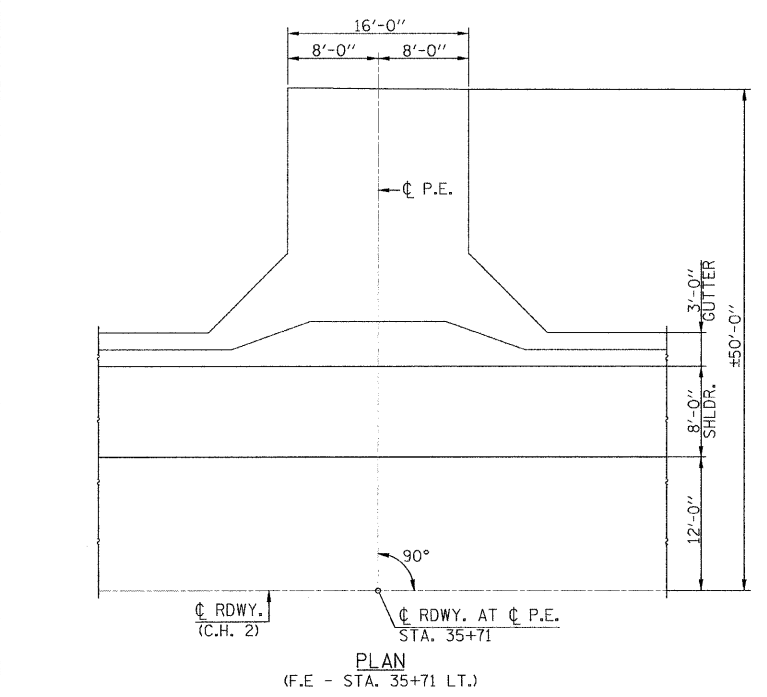



PAVEMENT LEGEND

1. EXISTING AGGREGATE BASE COURSE (VARIABLE DEPTH)
2. EXISTING HOT MIX ASPHALT OVERLAYS (VARIABLE DEPTH)
3. EXISTING AGGREGATE SHOULDER
4. PROPOSED AGGREGATE BASE COURSE TYPE A (6")
5. PROPOSED HOT MIX ASPHALT BINDER COURSE IL-19.0 N50 (VARIABLE DEPTH)
6. PROPOSED HOT MIX ASPHALT SURFACE COURSE, MIX. C N50 (2")
7. PROPOSED AGGREGATE BASE COURSE 9"
8. PROPOSED HOT MIX ASPHALT SURFACE REMOVAL VARIABLE DEPTH (2" MIN.)
9. PROPOSED AGGREGATE SHOULDERS TYPE A (6")
10. PROPOSED EARTH SHOULDER
11. PROPOSED PAINT PAVEMENT MARKING LINE 4"
12. PROPOSED AGGREGATE SHOULDERS TYPE A (4")
13. PROPOSED TYPE A GUTTER
14. AGGREGATE DITCH
15. PROPOSED HOT MIX ASPHALT BASE COURSE WIDENING (6")
16. PAVEMENT REMOVAL
17. PROPOSED AGGREGATE BASE (12")



FILE NAME =	USER NAME =	DESIGNED - RKA	REVISED -	 Allen Henderson & Associates, Inc. Civil and Structural Engineers Springfield, IL 62703 Phone: (217)544-8033 IL Design Firm No. 184-001907	ENTRANCE AND INTERSECTION DETAILS		F.A.S. RTE.	SECTION	COUNTY	TOTAL SHEETS	SHEET NO.
#FILES#	PLOT SCALE =	DRAWN - RKA	REVISED -				574	08-00056-03-PV	MENARD	52	9
PLOT DATE = #DATE#	DATE	CHECKED - CPK	REVISED -		SCALE: 1" = 8'		STA. 13+55.00 TO STA. 52+50.00	CONTRACT NO. 93558		ILLINOIS FED. AID PROJECT	
		DATE - 04/10/08	REVISED -								