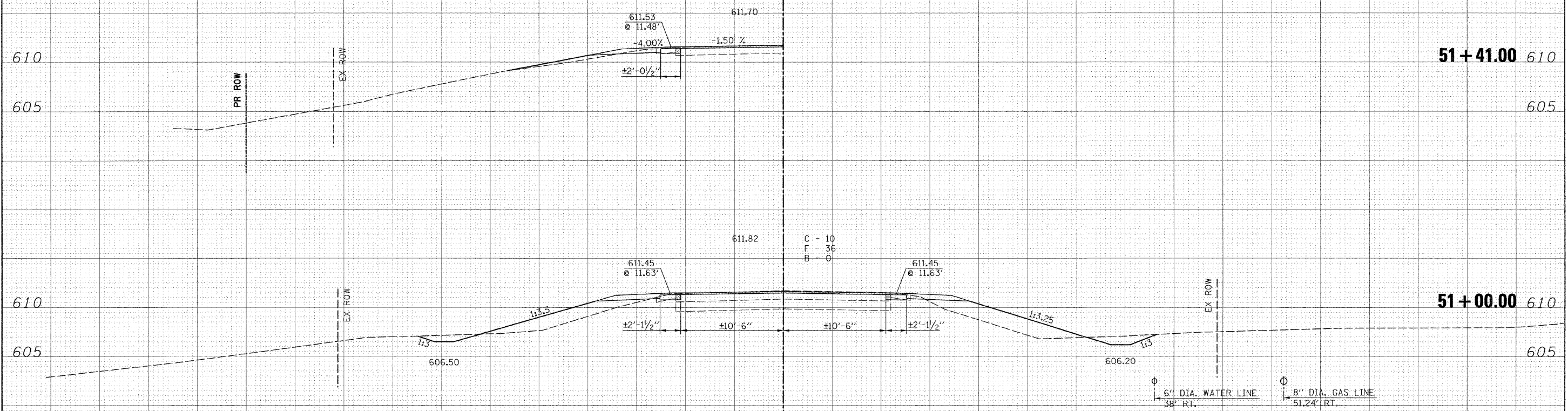
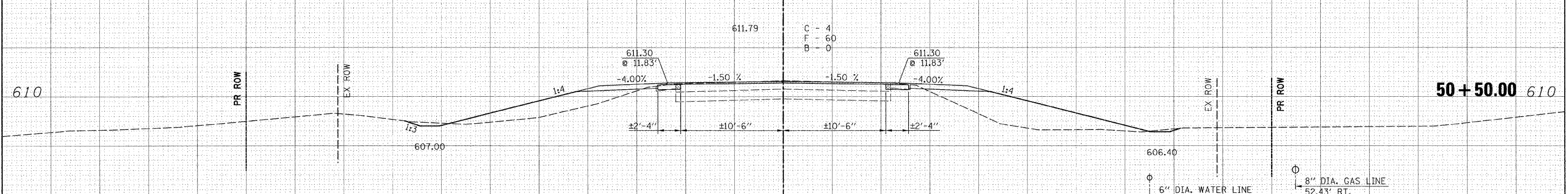


75 70 65 60 55 50 45 40 35 30 25 20 15 10 5 0 5 10 15 20 25 30 35 40 45 50 55 60 65 70 75

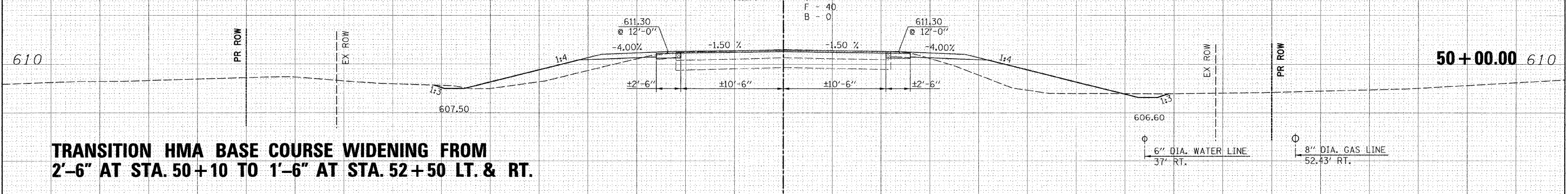
ABANDONED FIELD ENTRANCE



BEGIN SIDESLOPE TRANSITION - STA. 50+50



BEGIN ROADWAY TRANSITION - STA. 50+10



TRANSITION HMA BASE COURSE WIDENING FROM 2'-6" AT STA. 50+10 TO 1'-6" AT STA. 52+50 LT. & RT.

75 70 65 60 55 50 45 40 35 30 25 20 15 10 5 0 5 10 15 20 25 30 35 40 45 50 55 60 65 70 75

FINAL SURVEY	BY	DATE
NOTED		
NOTE BOOK		
AREAS		
AREAS CHECKED		

ORIGINAL SURVEY	BY	DATE
NOTED		
NOTE BOOK		
AREAS		
AREAS CHECKED		

FILE NAME =	USER NAME = #USER#
#FILE#	

DESIGNED -	REVISOR -
DRAWN -	REVISOR -
CHECKED -	REVISOR -
DATE -	REVISOR -

DESIGNED -	REVISOR -
DRAWN -	REVISOR -
CHECKED -	REVISOR -
DATE -	REVISOR -

DESIGNED -	REVISOR -
DRAWN -	REVISOR -
CHECKED -	REVISOR -
DATE -	REVISOR -



Allen Henderson & Associates, Inc.
 Civil and Structural Engineers Springfield, IL
 62703 Phone: (217)544-8033 IL Design Firm
 No. 184-001907

CROSS SECTIONS	
SCALE: 1" = 5'	SHEET NO. ___ OF ___ SHEETS
STA. 50+00.00	TO STA. 51+00.00

F.A.S. RTE. 574	SECTION 08-00056-03-PV	COUNTY MENARD	TOTAL SHEETS 52	SHEET NO. 48
CONTRACT NO. 93558				
FED. ROAD DIST. NO. ILLINOIS FED. AID PROJECT				