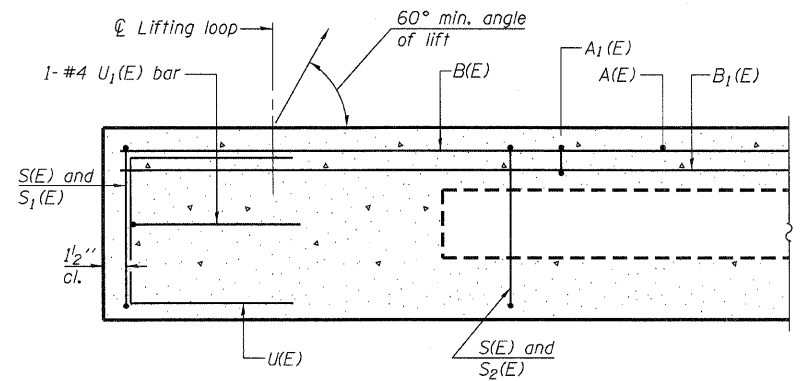
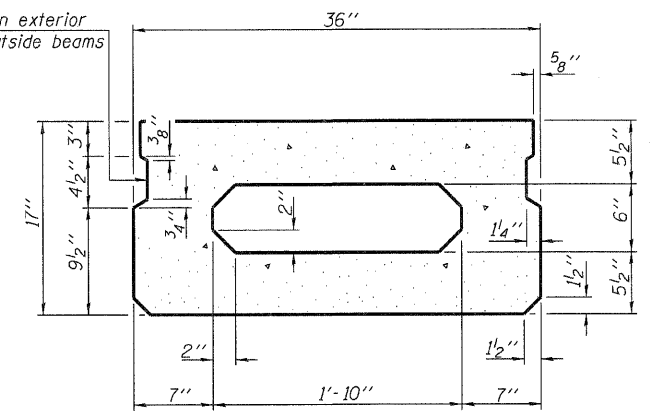


FILENAME: I:\jobs\christiancount\7166 tr 126 over buckhart creek\cadd\sheet\0113418-000000.dgn

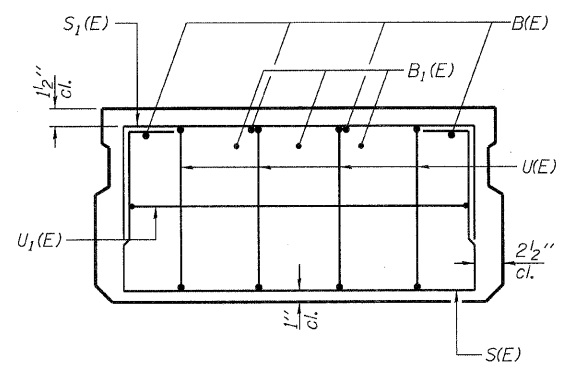


SECTION A-A

\* Omit key on exterior face of outside beams

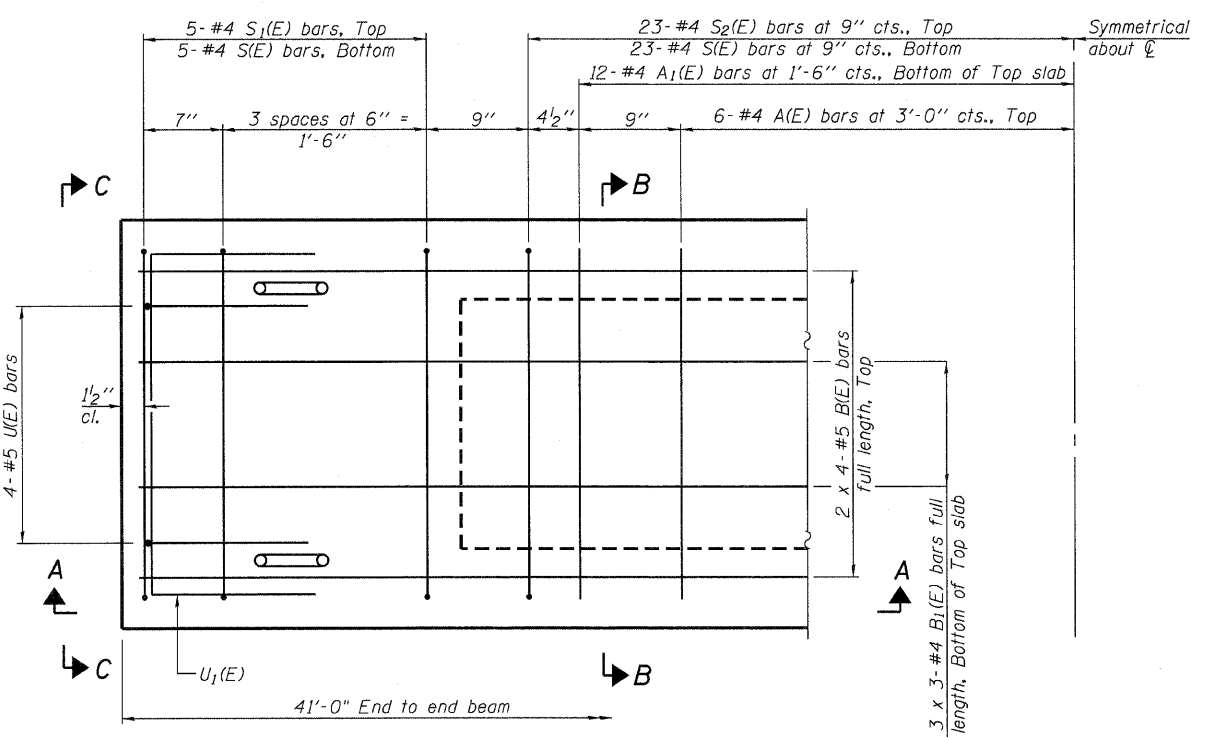


SECTION B-B  
(Showing dimensions)

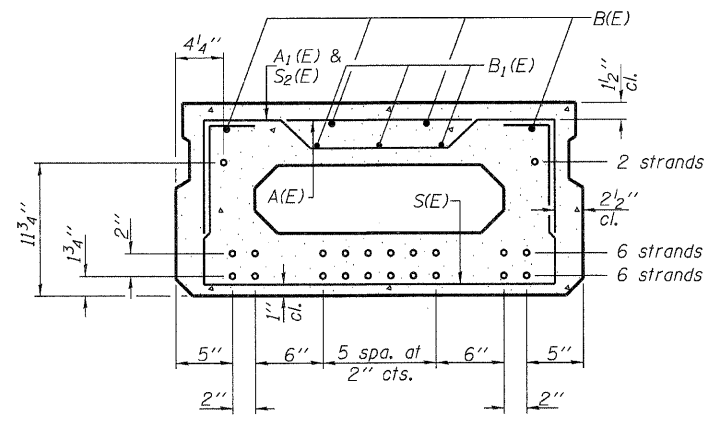


VIEW C-C

\* Rail Post Anchor Devices to be cast into exterior face of outside beams. See sheet 4 of 9 for locations.



PLAN VIEW



SECTION A-A  
(Showing reinforcement and permissible strand locations)

Note: Place the number of strands specified in each row symmetrically about the centerline of beam in the permissible strand locations shown.

BAR LIST  
ONE BEAM ONLY  
(For information only)

Bar	No.	Size	Length	Shape
A(E)	12	#4	2'-7"	—
A1(E)	24	#4	2'-10"	—
B(E)	8	#5	21'-8"	—
B1(E)	9	#4	14'-11"	—
S(E)	56	#4	5'-9"	U
S1(E)	10	#4	4'-3"	U
S2(E)	46	#4	4'-6"	U
U(E)	8	#5	3'-8"	C
U1(E)	2	#4	5'-0"	C

Note: See sheet 3 of 9 for additional details and Bill of Material.

Note: Spacing of S(E) and S2(E) bars may be adjusted up to 4" in the immediate area of the transverse tie diaphragms to miss the block outs for the transverse ties.

MINIMUM BAR LAP  
#4 bar = 2'-0"  
#5 bar = 2'-6"

PD-1736-0 7-1-10

USER NAME = dheberling	DESIGNED - TJZ	REVISED
	DRAWN - DLH	REVISED
PLOT SCALE = 0.1/0.000 1' / IN.	CHECKED - SDS	REVISED
PLOT DATE = 11/14/2011	DATE - 8/25/11	REVISED



7018 KINGSMILL CT.,  
SPRINGFIELD, IL  
(217) 483-9457  
DESIGN FIRM #184001036

STATE OF ILLINOIS  
DEPARTMENT OF TRANSPORTATION

SUPERSTRUCTURE DETAILS  
TR 216 OVER BUCKHART CREEK  
SCALE: SHEET NO. 2 OF 9 SHEETS

F.R. RTE.	SECTION	COUNTY	TOTAL SHEETS	SHEET NO.
216	08-16112-00-BR	CHRISTIAN	26	6
S.N. - 011-3418		CONTRACT	93559	
FED. ROAD DIST. NO.		ILLINOIS FED. AID PROJECT		