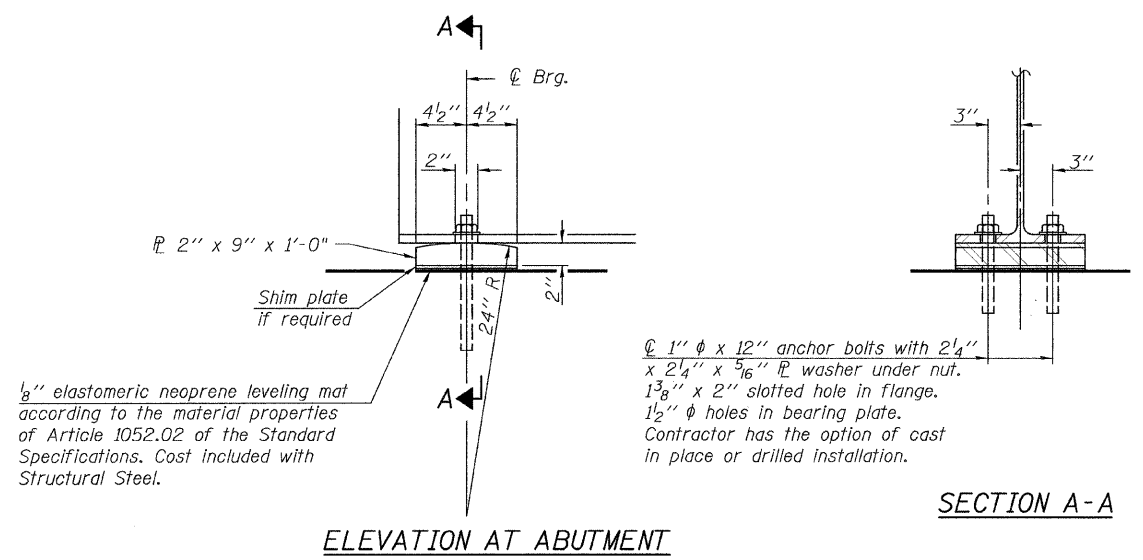


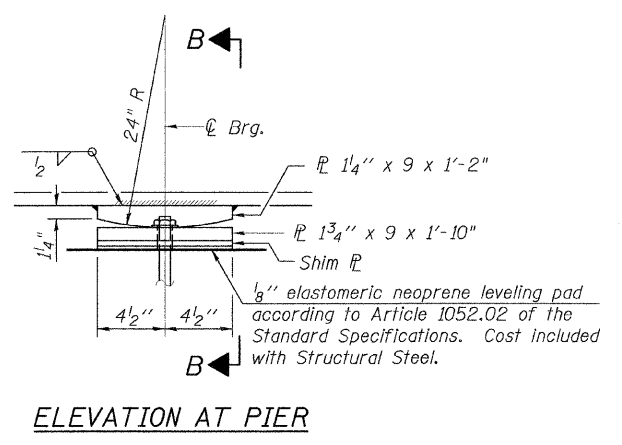
F.A.S. RTE.	SECTION	COUNTY	TOTAL SHEETS	SHEET NO.
733	06-00088-00-BR	MACOUPIN	35	18
FED. ROAD DIST. NO.		ILLINOIS FED. AID PROJECT		
		CONTRACT NO.		



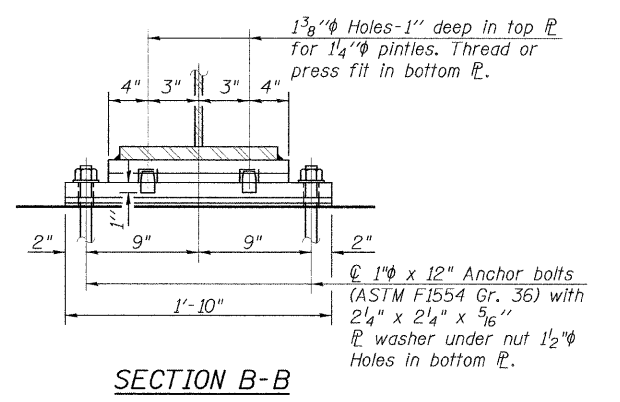
FIXED BEARING AT ABUTMENT
(12 Required)

1/8" elastomeric neoprene leveling mat according to the material properties of Article 1052.02 of the Standard Specifications. Cost included with Structural Steel.

1" ϕ x 12" anchor bolts with 2 1/4" x 2 1/4" x 5/16" ϕ washer under nut. 1 3/8" x 2" slotted hole in flange. 1 1/2" ϕ holes in bearing plate. Contractor has the option of cast in place or drilled installation.



FIXED BEARING AT PIERS
(12 Required)



Notes:
Anchor bolts shall be ASTM F1554 all-thread (or an Engineer-approved alternate material) of the grade(s) and diameter(s) specified. ASTM A307 Grade C anchor bolts may be used in lieu of ASTM F1554 Grade 36 (Fy=36ksi). The corresponding specified grade of AASHTO M314 anchor bolts may be used in lieu of ASTM F1554.
Anchor bolts at fixed bearings may be either cast in place or installed in holes drilled after the supported member is in place.
Drilled and set anchor bolts shall be installed according to Article 521.06 of the Standard Specifications.
The structural steel bearing plates of the fixed bearings, including pintles shall conform to the requirements of AASHTO M 270, Grade 50.
Two 1/8 in. adjusting shims shall be provided for each bearing in addition to all other plates or shims and placed as shown on bearing details.

