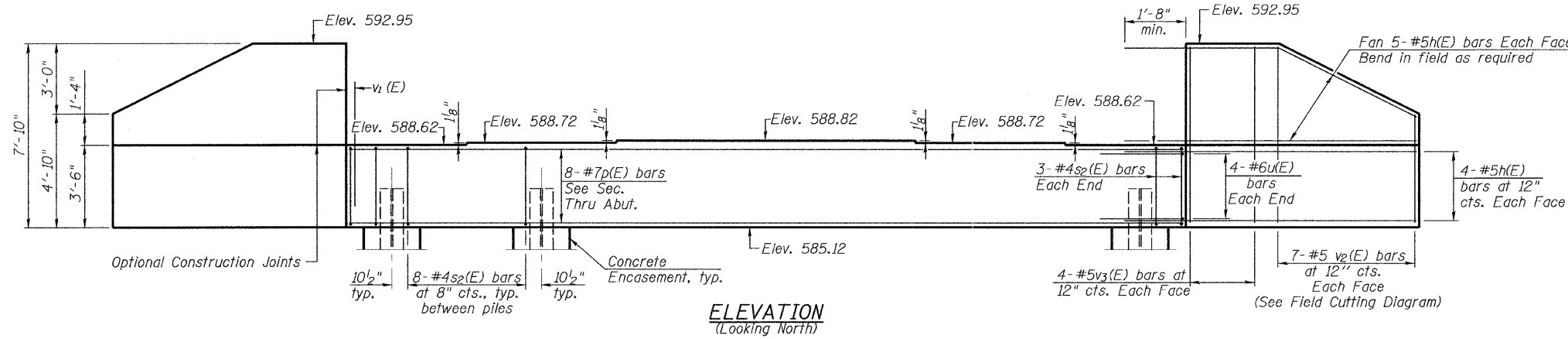


Notes: Pour steps monolithically with cap.  
Space reinforcement in cap to miss anchor bolts.

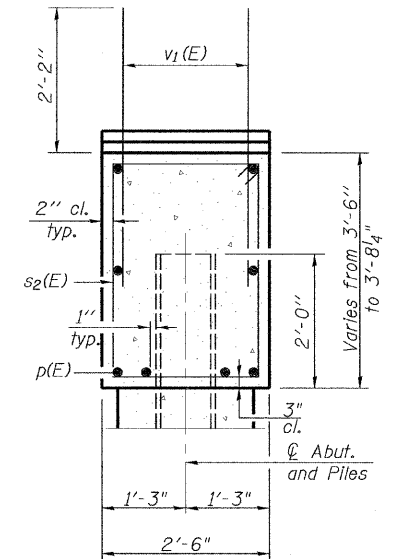
**PILE DATA**

Type: HP 12x53  
Nominal Required Bearing: 419 kips  
Factored Resistance Available: 210 kips  
Est. Length: 34 ft.  
No. Production Piles: 5  
No. Test Piles: 1

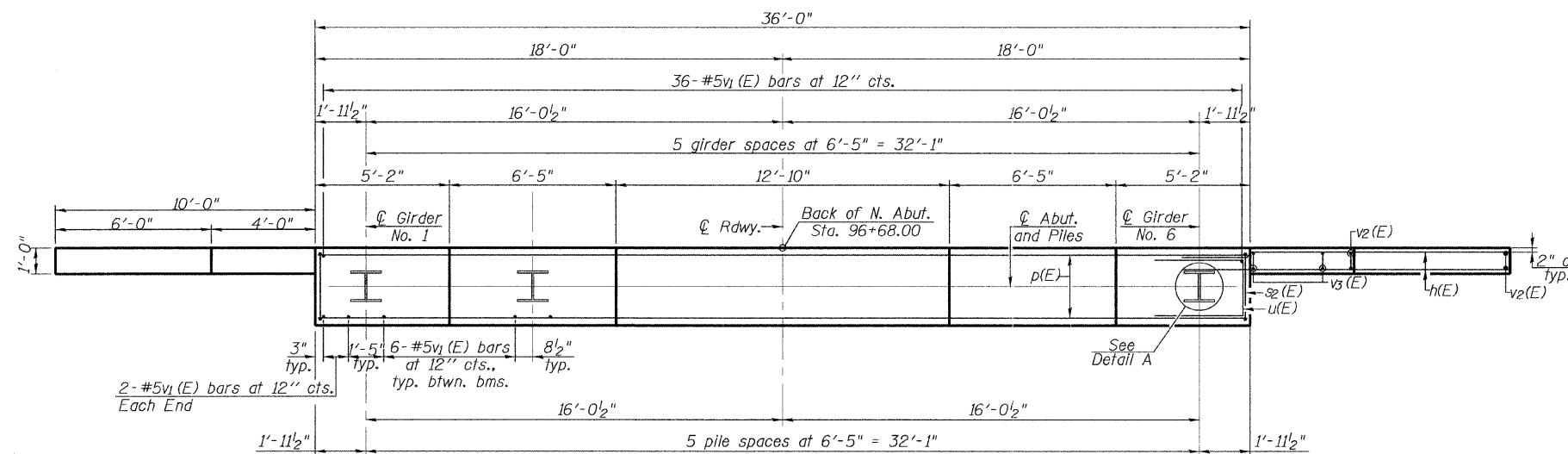
F.A.S. RTE.	SECTION	COUNTY	TOTAL SHEETS	SHEET NO.
733	06-00088-00-BR	MACOUPIN	35	20
FED. ROAD DIST. NO.		ILLINOIS FED. AID PROJECT		
		CONTRACT NO.		



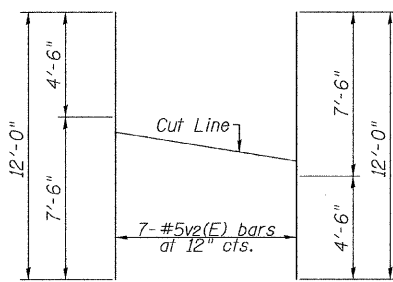
**ELEVATION**  
(Looking North)



**SEC. THRU ABUT.**

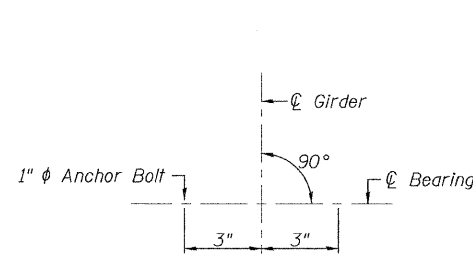


**PLAN**

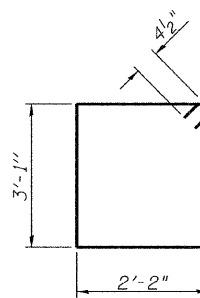


**FIELD CUTTING DIAGRAM**

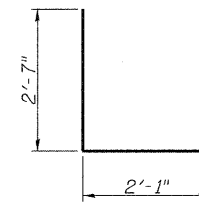
Order v2(E) full length. Cut as shown and use remainder of bars in opposite face.



**DETAIL A**



**BAR s2(E)**



**BAR u(E)**

**NORTH ABUTMENT  
BILL OF MATERIAL**

Bar	No.	Size	Length	Shape
h(E)	36	#5	12'-6"	—
p(E)	8	#7	35'-8"	—
s2(E)	46	#4	11'-3"	U
u(E)	8	#6	7'-3"	U
v1(E)	70	#5	4'-4"	—
v2(E)	14	#5	12'-0"	—
v3(E)	16	#5	7'-6"	—
Structure Excavation		Cu. Yd.	74	
Concrete Structures		Cu. Yd.	17.2	
Reinforcement Bars, Epoxy Coated		Pound	2100	
Furnishing Steel Piles HP12x53		Foot	170	
Driving Piles		Foot	170	
Test Pile Steel HP12x53		Each	1	
Concrete Encasement		Cu. Yd.	2.1	

For details of piles and Concrete Encasement, see sheet 24 of 35.