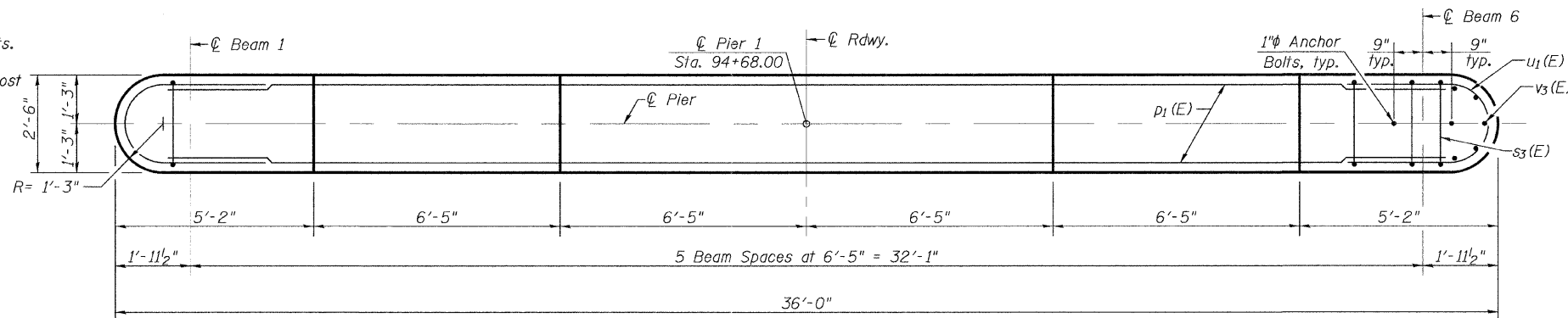


F.A.S. RTE. 733	SECTION 06-00088-00-BR	COUNTY MACOUPIN	TOTAL SHEETS 35	SHEET NO. 21
FED. ROAD DIST. NO. ILLINOIS		FED. AID PROJECT CONTRACT NO.		

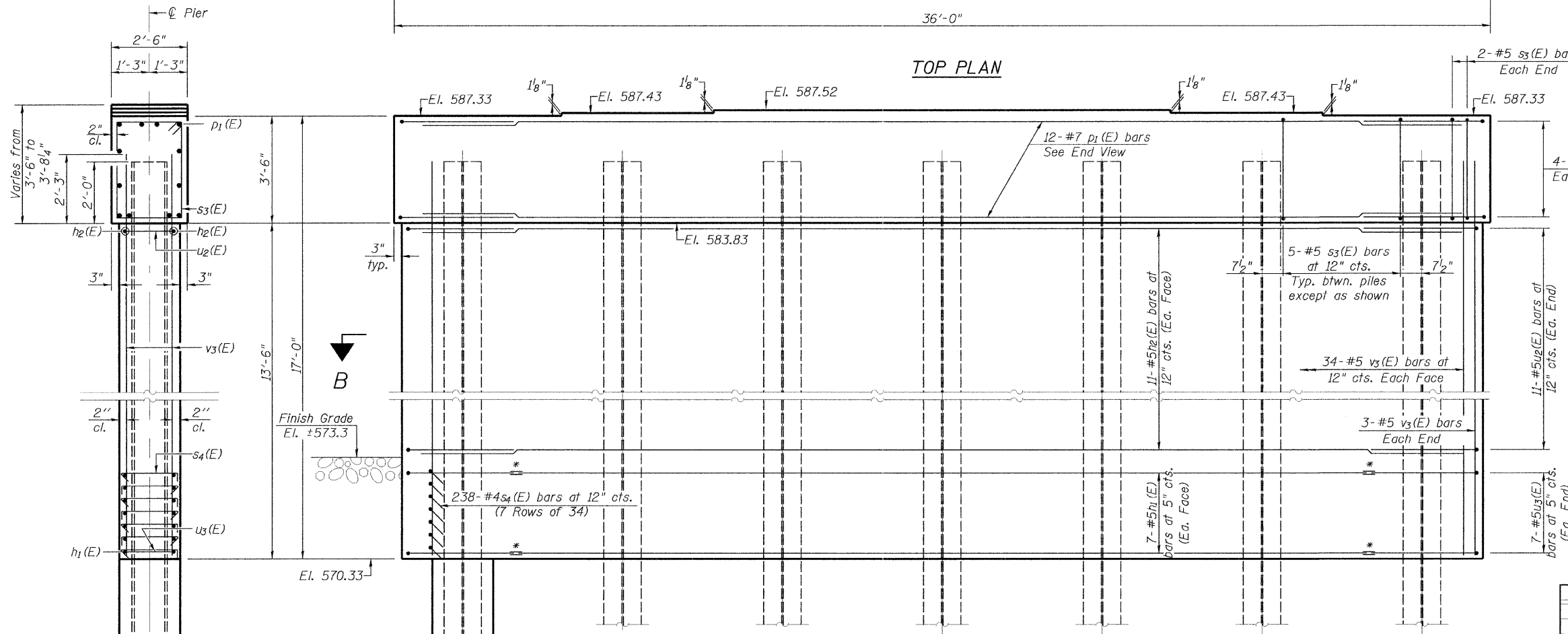
Notes:  
 Space reinforcement in cap to miss anchor bolts.  
 Pour steps monolithically with cap.  
 Cofferdam Excavation to be included with the cost of Cofferdam (Type 1) (Location 1)  
 For details of piles, see sheet 24 of 35.

**PILE DATA**

Type: HP 12x84  
 Nominal Required Bearing: 664 kips  
 Factored Resistance Available: 332 kips  
 Est. Length: 36'  
 No. Production Piles: 6  
 No. Test Piles: 1

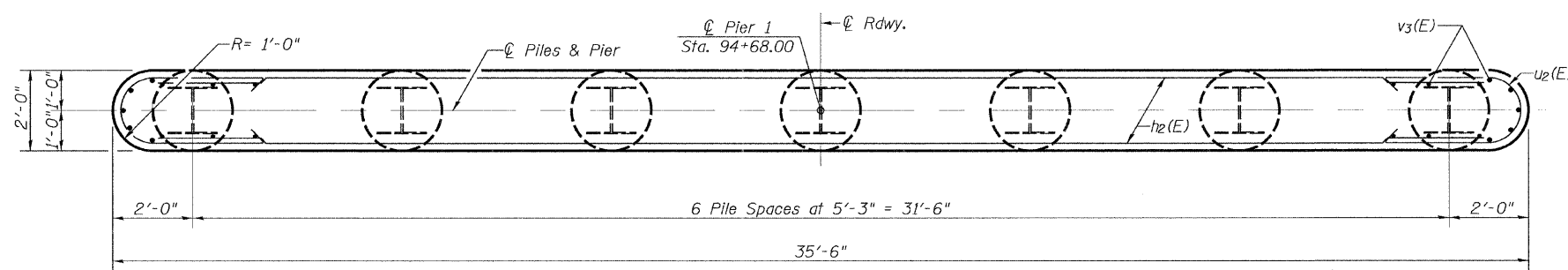


**TOP PLAN**

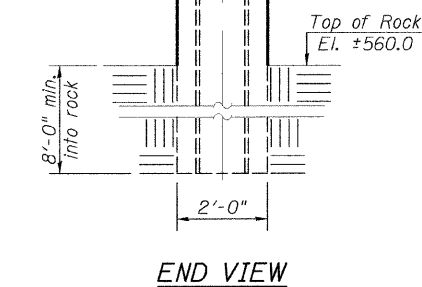


**ELEVATION**  
(Looking North)

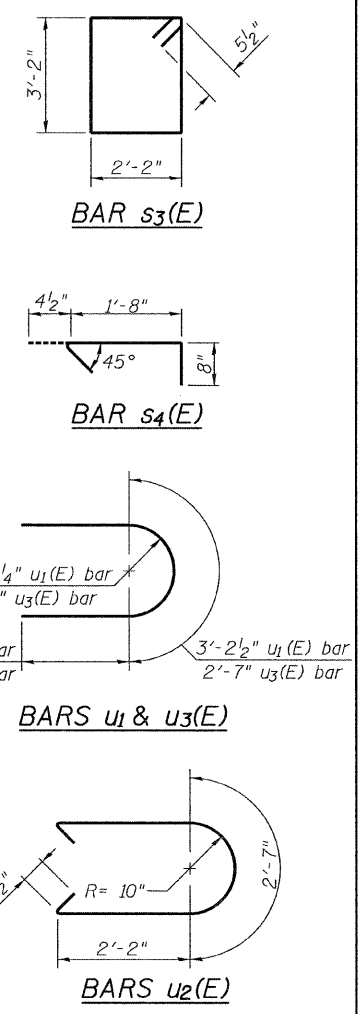
\* Mechanical Splicers for h1(E) and u3(E) bars.



**SECTION B-B**



**END VIEW**



**PIER 1  
BILL OF MATERIAL**

Bar	No.	Size	Length	Shape
h1(E)	14	#5	29'-6"	—
h2(E)	22	#5	33'-6"	—
p1(E)	12	#7	33'-6"	—
s3(E)	34	#5	11'-7"	□
s4(E)	238	#4	2'-9"	┌
u1(E)	8	#6	8'-5"	U
u2(E)	22	#5	7'-10"	U
u3(E)	14	#5	6'-7"	U
v3(E)	74	#5	15'-7"	—
Structure Excavation			Cu. Yd.	27
Concrete Structures			Cu. Yd.	46.9
Reinforcement Bars, Epoxy Coated			Pound	4450
Furnishing Steel Piles, HP 12x84			Foot	216
Test Pile, Steel HP 12x84			Each	1
Setting and Driving Piles in Rock			Each	6
Cofferdam (Type 1) (Location 1)			Each	1
Mechanical Splicers			Each	28

**Allen Henderson & Associates, Inc.**  
 Civil and Structural Engineers Springfield, IL  
 62703 Phone: (217)544-8033 IL Design Firm  
 No. 184-001907